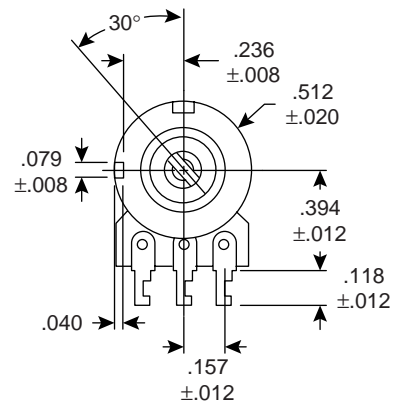


**Dimensions (In.)**



Shaft Shown in Full CCW Position

**Specification:**

- Type: 13mm carbon composition
- Resistance tolerance:  $\pm 20\%$
- Power rating: .1W
- Dielectric strength: 500VAC for 1 minute
- Operational temperature:  $-10^{\circ}\sim+70^{\circ}\text{C}$
- Rotation angle:  $300\pm 10^{\circ}$
- Rotation torque: 20~200g-cm
- Anti-rotational torque: 3Kg-cm
- Rotational life: 5,000 cycles
- Taper: linear

Mouser Stock No.	Value ( $\Omega$ )
31CX301	1K
31CX305	5K
31CX401	10K
31CX405	50K
31CX501	100K
31CX505	500K
31CX601	1Meg