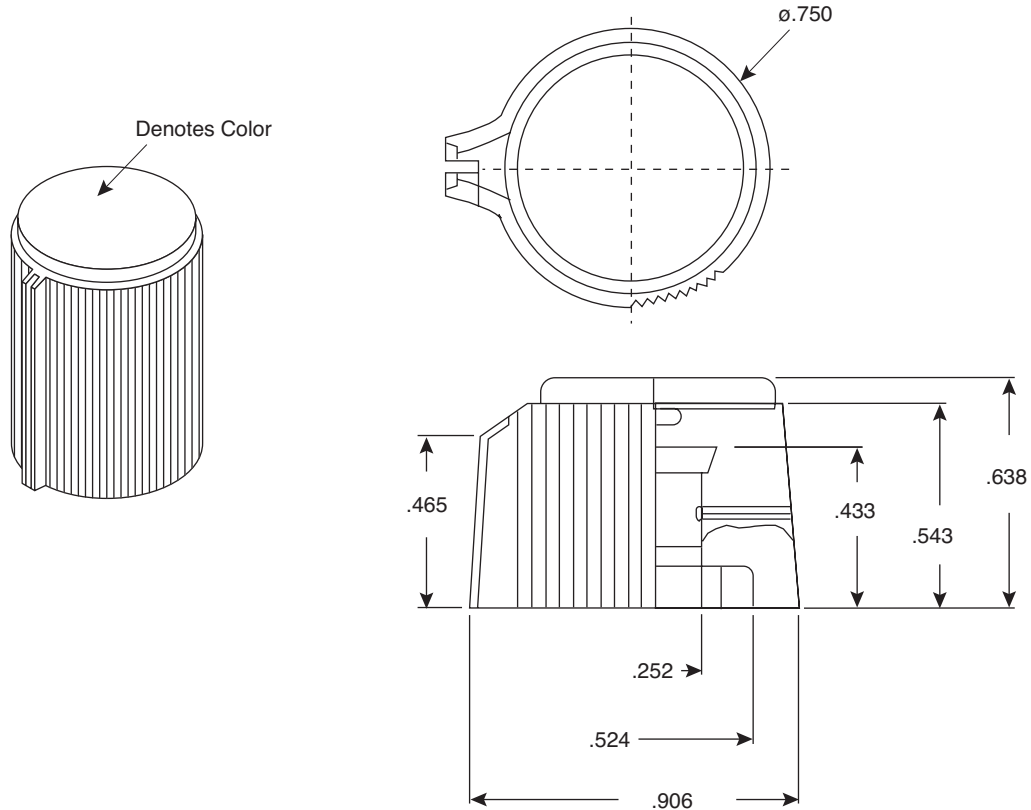


Date Last Revised: 1-10-05



Dimensions: In.

| SPECIFICATIONS | |
|-----------------------|--|
| Material of Body: | Phenolic resin |
| Color of Body: | Black |
| Indicator Type: | Painted white line |
| Insert: | Brass with screw fittings |
| Shaft: | .25" |
| Colors (Top of Knob): | 450-3180 (Green), 450-3181 (Red), 450-3182 (Yellow), 450-3183 (Blue) |

Available from Mouser Electronics
1-800-346-6873
www.mouser.com

EPD-200017