



Providing Engineered Solutions  
for Your Plastic Component Needs



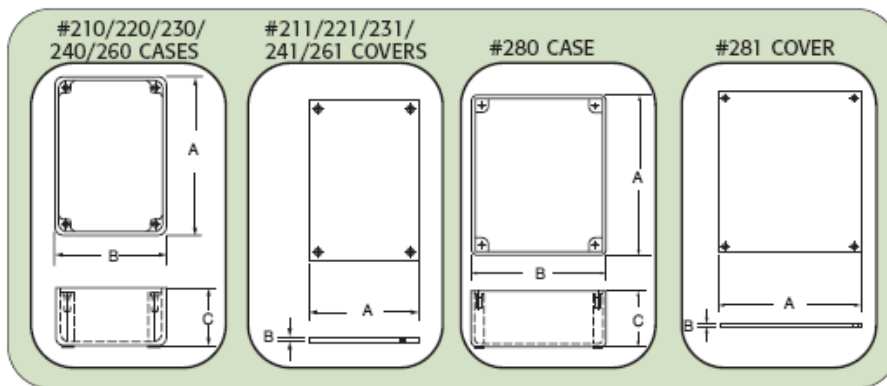
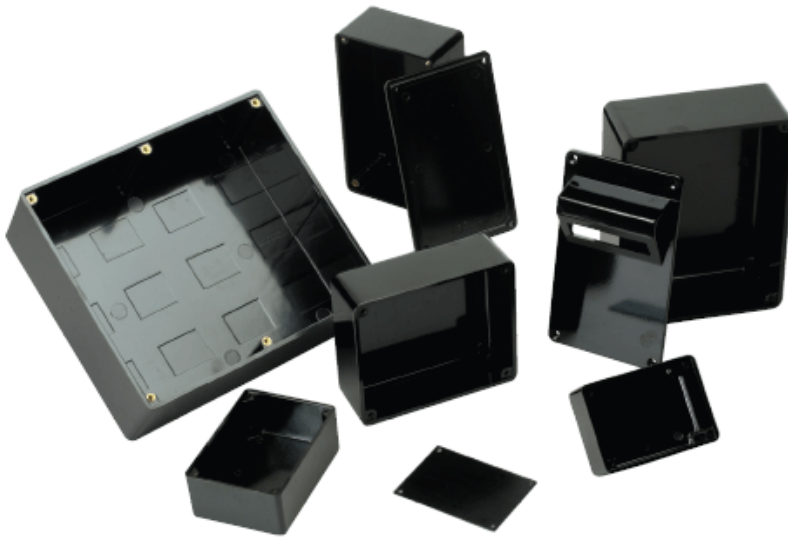
**Products**

- [Knobs](#)
- [Handles](#)
- [Instrument Cases & Covers](#)
- [Handwheels](#)
- [Two Shot / Soft Touch](#)

## Phenolic Instrument Cases

Davies' plastic cases and case covers are an inexpensive choice if you are looking for a quality electronic enclosure that is environmentally friendly. These plastic enclosures have many uses by a variety of industries. You also have an option of purchasing an accompanying cover, please see table below for sizes.

- Mar and scratch resistant
- Resistant to most chemicals
- Heat resistant to 475°
- Impact and electrical grades
- Glossy black – provides a high lustre finish
- Various colors available
- Machining by Davies Molding available



**Cases**

Material Type	Part No.	A	B	C	Mounting Holes x Depth	Hardware
TS	0210-A	3 1/2	2 1/2	1 1/4	4-40 X 5/16"-TH (4)	4-40 X 1/2 Screw
TS	0220	4	2 7/8	1 9/16	4-36 X 5/16"-TH (4)	4-36 X 1/2 Screw
TS	0220-A	4	2 7/8	1 9/16	4-40 X 5/16"-TH (4)	4-40 X 1/2 Screw
TS	0220-B	4	2 7/8	1 9/16	.099 X 7/16"-PH (4)	1/2" #4 Self Tap
TS	0230	5	4 1/4	1 3/4	.099 X 7/16"-PH (4)	1/2" #4 Self Tap
TS	0230-A	5	4 1/4	1 3/4	6-32 X 5/16"-TI (4)	6-32" X 3/8" Screw
TP	0240	6 1/4	3 3/4	2	.113 X 1/2"-PH (4)	1/2" #6 Self Tap
TP	0240-B	6 1/4	3 3/4	2	6-32 X 5/16"-TI (4)	6-32" X 3/8" Screw
TP	0260	6 13/16	5 9/32	2 5/16	.089 X 1/2"-PHCH	1/2" #4 Self Tap
TP	0260-K	6 13/16	5 9/32	2 5/16	5/16" X 1/16"-TI (4)	6-32" X 3/8" Screw
TP	0280	8 7/16	7 7/16	3 1/64	6-32 X 1/4"-TI (6)	6-32" X 3/8" Screw

**Covers**

Material Type	Part No.	A	B	Case No.
TS	0211	2 19/64	1/16	210
TS	0221	2 17/64	1/16	220/220A/220B
TS	0231	4	1/16	230/230A
TS	0241	3 47/64	1/4	240/240B
TS	0245	3 47/64		COVER W/READOUT OPENING
TS	0261	5 17/64	1/4	260/260K
TS	0281	7 7/64	1/8	280