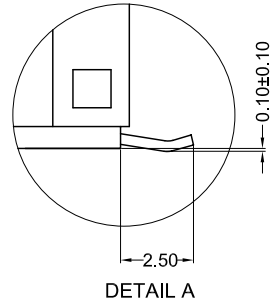
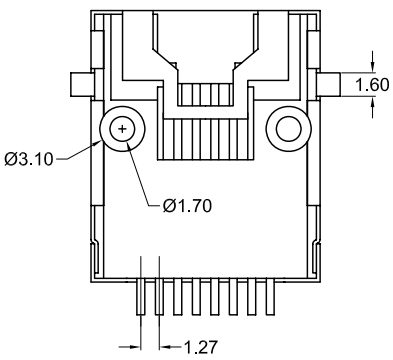


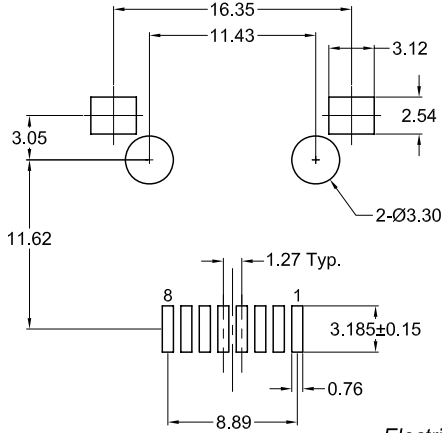
DETAIL A



DETAIL A



Recommended PCB Layout (Top View)



Materials and Finish

Housing Material:
high temp. thermoplastic,
(reflow process compatible)
UL 94V-0 rated, black color

Design meets UL 1863 Sec. 8
Electrical Probe and Sec. 20
Child Finger test requirements

Contact Material: phosphor bronze

Contact Plating Options:
Standard: 0.0001" Nickel
Plating, Selective Plating
Gold Flash on Contact
Area, Tin on Termination End

50: 0.0001" Nickel Plating,
Selective Plating 0.000050"
Gold on Contact Area to
Comply with FCC Requirements
Under No. 47 C.F.R. Part 68,
Subpart F, Tin on Termination End

Electrical Characteristics

Current Rating: 1.0 Amps
Current Voltage: 125V DC

Insulation Resistance:
500 Megohms min.

Dielectric Withstanding Voltage:
1000V rms, 60Hz

Contact Resistance:
20 milliohms max.

Durability Rating:
1000 mating cycles min.

Operating Temperature:
-40°C to +85°C

Electrical Performance

Category 5 100MHz Bandwidth Performance
Performance meets near end crosstalk (NEXT)
Requirements of -40dB @ 100MHz per
EIA/TIA 568A in applications where UL
Approved Category 5 cable (GA27-3773-1)
is used

Shielded types offer 20dB shielding from
30MHz to 300MHz



Tolerances	
X.X ± 0.25	
X.XX ± 0.15	
Unless Stated	
Otherwise	

Part Number	Plating	Packaging
GMX-SMT2-S2-88	Flash	Bulk
GMX-SMT2-S2-88-50	50u"	Bulk
GMX-SMT2-S2-88-TR	Flash	Tape & Reel
GMX-SMT2-S2-8850TR	50u"	Tape & Reel

REV.	DATE	DESCRIPTION	REV. BY	CHK. BY	DRAWN BY	DATE
A1	7/14/05	New Drawing	R. Aguirre	H. MA	R. Aguirre	05/23/05
A2	3/6/08	ECO #08-030	R. Aguirre	H. MA		
A3	04/27/10	ECO #10-020	S. Vlen	H. MA		
A4	07/30/10	ECO #10-054	S. Vlen	H. MA		

GMX-SMT2-S2-88

Right Angle Modular Jack, Shielded, RoHS Compliant

8 position, 8 contacts, Surface Mount

