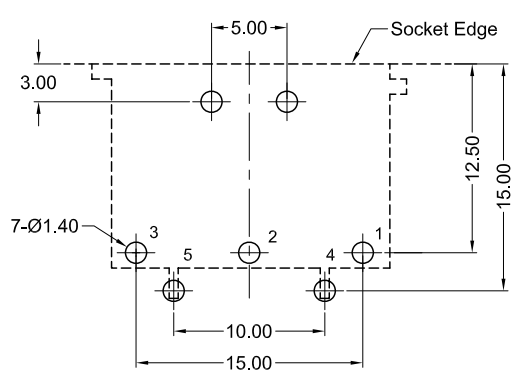
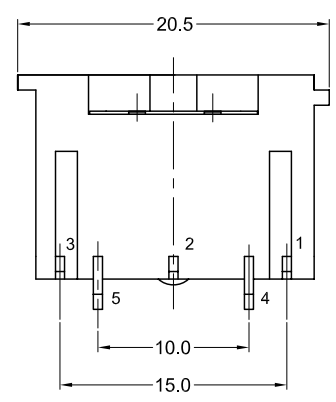
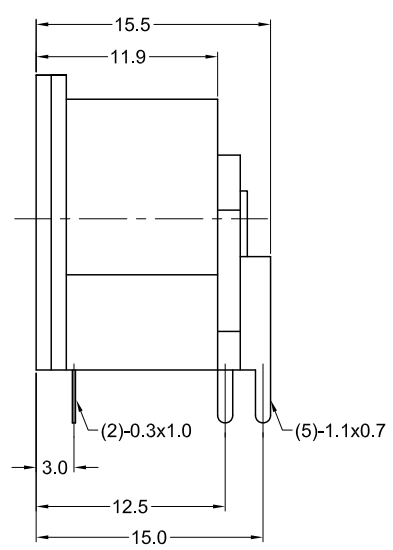
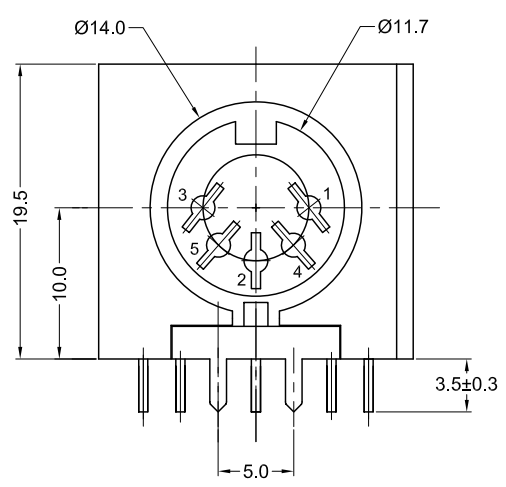


KYCON, Inc. 1810 Little Orchard Street, San Jose, CA 95125 (408)494-0330



Recommended PCB Layout (Bottom View)

**Materials and Finish**

Material-PBT Thermoplastic  
 UL94V-0 Rated  
 Color: black  
 Contact: Brass, Matte tin plated

**Electrical Characteristics**

Rated Current: 2.0 AMP DC  
 Rated Voltage: 24.0V DC  
 Insulation Resistance  
 100 Megohms min. at 500V DC  
 Contact Resistance  
 Before Test : 50 Milliohms max.  
 After Test: 100 Milliohms max.  
 Dielectric Withstanding Voltage  
 500V AC for 1 minute  
 Operating Temperature  
 -25°C to 85°C

**Mechanical Characteristics**

Insertion Force  
 0.5kg - 4.5kg  
 Withdrawal Force  
 0.5kg - 4.5kg  
 Durability  
 5000 cycles



Tolerances	
X.X ± 0.3	
X.XX ± 0.15	
Unless Stated	
Otherwise	

REV.	DATE	DESCRIPTION	REV. BY	CHK. BY	DRAWN BY	DATE
A0	2/22/06	New Drawing	R. Aguirre	H. MA	R. Aguirre	01/30/06
A1	4/27/06	Release Drawing	H. MA	N/A		
A2	05/23/06	ECO 06-038	R. Aguirre	H. MA		
A3	04/19/11	ECO #11-006	S. Vien	H. MA		

**KCDX-5S-N2**

UNITS  
mm

Circular Din, 5 Position  
 5 mm Pitch, RoHS Compliant

