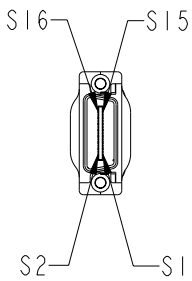


PRODUCT NUMBER
SEE NOTE 3
10018960-XXXXXALF

"L2"
OVERALL LENGTH
(NOTES 2 AND 3)



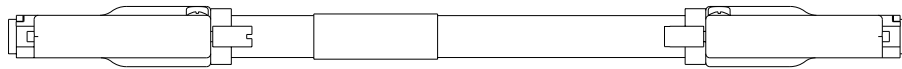
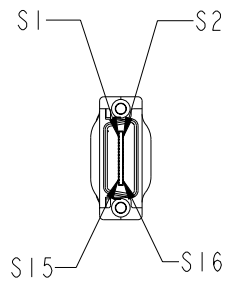
P1
4X EYEMAX
NOTE 11

CABLE
NOTE 3

LABEL
NOTE 5

NOTE 4

P2
4X EYEMAX
NOTE 11



| rev | cca no | dr | date |
|-----|----------|-----|------------|
| F | V06-1193 | DAI | 2007-01-04 |
| - | - | - | - |
| - | - | - | - |
| - | - | - | - |
| - | - | - | - |

| | | | | | |
|--------------------|-----------|---|---------------|--------------------|-----------|
| www.fciconnect.com | | surface | tolerance std | projection | MM |
| | | TOLERANCES UNLESS OTHERWISE SPECIFIED | | | |
| Dr | D. INGRAM | 2007-01-04 | ANGULAR | size | A4 |
| Eng | C. GROSS | 2007-01-04 | LINEAR | ECN | V06-1193 |
| Chr | C. GROSS | 2007-01-04 | 0° ± | Product family | C&A |
| Appr | C. GROSS | 2007-01-04 | | Spec ref | |
| | | 4X EYEMAX W/THUMBSCREWS CABLE ASSEMBLY (INFINIBAND™) | | dwg no 10018960 | Rev. F |
| catalog no | | CUSTOMER | | sheet 1 of 3 | |

REV F - 2006-04-17

PDM: Rev:F STATUS:Released⁴ Printed: Dec 23, 2010

PRODUCT NUMBER
SEE NOTE 3
10018960-XXXXXALF

**PIN OUT/WIRING LIST
SEE NOTE 6**

A

B

C

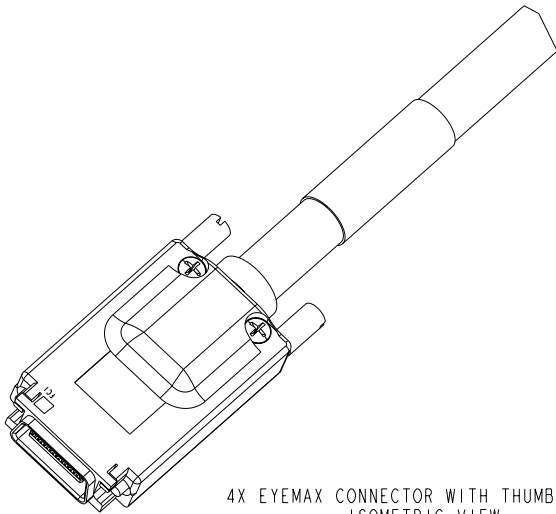
D

A

B

C

D



4X EYEMAX CONNECTOR WITH THUMBSCREWS
ISOMETRIC VIEW

| P1 | | P2 | |
|------------|-----------|------------|-----------|
| PIN NUMBER | WIRE ID | PIN NUMBER | WIRE ID |
| GI-G9 | GROUND | GI-G9 | GROUND |
| S1 | IBtxlp(0) | S16 | IBtxOp(0) |
| S2 | IBtxln(0) | S15 | IBtxOn(0) |
| S3 | IBtxlp(1) | S14 | IBtxOp(1) |
| S4 | IBtxln(1) | S13 | IBtxOn(1) |
| S5 | IBtxlp(2) | S12 | IBtxOp(2) |
| S6 | IBtxln(2) | S11 | IBtxOn(2) |
| S7 | IBtxlp(3) | S10 | IBtxOp(3) |
| S8 | IBtxln(3) | S9 | IBtxOn(3) |
| S9 | IBtxOp(3) | S8 | IBtxln(3) |
| S10 | IBtxOp(2) | S7 | IBtxlp(3) |
| S11 | IBtxOn(2) | S6 | IBtxln(2) |
| S12 | IBtxOp(2) | S5 | IBtxlp(2) |
| S13 | IBtxOn(1) | S4 | IBtxln(1) |
| S14 | IBtxOp(1) | S3 | IBtxlp(1) |
| S15 | IBtxOn(0) | S2 | IBtxln(0) |
| S16 | IBtxOp(0) | S1 | IBtxlp(0) |



Copyright FCJ.

| | | | | | | |
|--|-------------------|---|-----------------|----------|--------------|--------|
| | title | 4X EYEMAX W/THUMBSCREWS CABLE ASSEMBLY (INFINIBAND™) | drwg no | 10018960 | Rev. | F |
| | catalog no | - | CUSTOMER | | sheet | 2 of 3 |

REV F - 2010-04-17

³PDM: Rev:F STATUS:Released ⁴Printed: Dec 23, 2010

PRODUCT NUMBER
SEE NOTE 3
10018960-XXXXXALF

NOTES:

- 1. MATING RECEPTACLE DRAWING 10009629.
- 2. UNLESS OTHERWISE SPECIFIED ASSEMBLED LENGTH TOLERANCE =
 $< 1 \text{ METER} = \pm 15.0\text{mm}$
 $> 1 \text{ METER TO } 10 \text{ METER} = \pm 2\% \text{ OF } L2$
 $> 10 \text{ METER} = +0.00\% / -4\% \text{ OF } L2$

- 3. PART NUMBER DESCRIPTION: PENDING
10018960- X XX XX A X LF

SIGNAL WIRE
GAGE (AWG)
M: 24 AWG
N: 26 AWG
P: 28 AWG
R: 30 AWG

LEAD FREE (SEE NOTE 10)

E: EQUALIZED
U: UNEQUALIZED

HARDWARE TYPE
A: THUMBSCREW

OVERALL LENGTH OF CABLE
XXXX = XX METERS, XX CENTIMETERS
EXAMPLES OF XXXX:
0046 = 0 METERS 46 CENTIMETERS
0850 = 8 METERS 50 CENTIMETERS

- 10. LEAD FREE PRODUCTS MEET EUROPEAN UNION DIRECTIVES AND OTHER COUNTRY REGULATIONS AS DESCRIBED IN GS-22-008.

LEAD FREE SOLDER TAIL PLATING 2um (80u") MIN. MATTE TIN OVER 1.27um (50u") MIN. NICKEL UNDERPLATE.

PACKAGING OF LEAD FREE PRODUCTS MEETS LABELING AND PACKAGING SPECIFICATION GS-14-920.

- 11. CONNECTOR ASSEMBLIES SHOWN ARE FOR REFERENCE ONLY AND MAY NOT SHOW ALL PART DETAIL. REFERENCE CONNECTOR ASSEMBLY DRAWINGS FOR COMPLETE DETAILS.

- 12. GLOBAL STANDARDS FOR CABLE PACKAGING: GS-14-1093.

- 13. MATERIALS:
 CABLE: FULLY SHIELDED, 8 DIFFERENTIAL PAIRS
 COVERS: ZINC ALLOY WITH NICKEL OVERPLATE
 CABLE COLLARS: PLASTIC
 PLUG ASSEMBLIES: THERMOPLASTIC AND COPPER ALLOY
 THUMBSCREWS: STAINLESS STEEL
 PCB BOARD: FR4 FIBERGLASS

EXAMPLE: 10018960- M0850AULF = 24 AWG, 8.50 METER, THUMBSCREWS, UNEQUALIZED, LEAD FREE

- 4. UNLESS OTHERWISE SPECIFIED LABEL POSITION SHALL BE APPROXIMATELY 50mm FROM REAR OF CONNECTOR.

- 5. LABEL DETAILS:
 -MANUFACTURER CODE OR NAME
 -CUSTOMER P/N OR FCI P/N
 -REVISION
 -DATE CODE WW/YY FORMAT
 -COUNTRY ORIGIN

FONT SHALL BE CLEARLY VISIBLE AND BLACK IN COLOR.

- 6. ALL CABLE ASSEMBLIES SHALL BE TESTED 100% FOR CONTINUITY AS DEFINED IN WIRING LIST.
- 7. UNLESS OTHERWISE SPECIFIED ALL CABLE ASSEMBLIES SHALL BE 100% HI-POT TESTED BY APPLYING 300V FOR MINIMUM OF 10ms, UNLESS ACTIVE COMPONENTS ARE USED IN THIS ASSEMBLY.
- 8. OTHER TESTING PERFORMED AS REQUIRED BY PRODUCT SPECIFICATION:GS-12-216.
- 9. CABLE ASSEMBLIES SHALL WITHSTAND AN AXIAL LOAD OF 17lbs/75N AT A RATE OF 25.4mm PER MINUTE, DURATION OF 1 (ONE) HOUR, WITHOUT DAMAGE TO CABLE OR CONNECTOR. CABLE PRODUCT SPECIFICATION: GS-12-216
CONNECTOR PRODUCT SPECIFICATION: GS-12-209

| | | | | | | |
|-----|------------|------------------------------|--------|----------|-------|--------|
| FCJ | title | 4X EYEMAX W/THUMBSCREWS | dwg no | 10018960 | Rev. | F |
| | catalog no | CABLE ASSEMBLY (INFINIBAND™) | - | CUSTOMER | sheet | 3 of 3 |

REV F - 2008-04-17