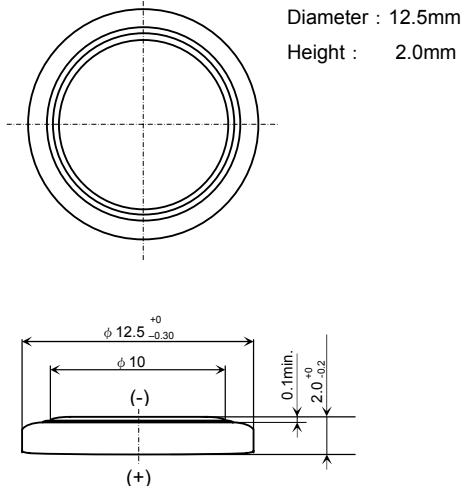


Lithium Manganese Dioxide Battery

CR1220

■ Dimensions(mm)



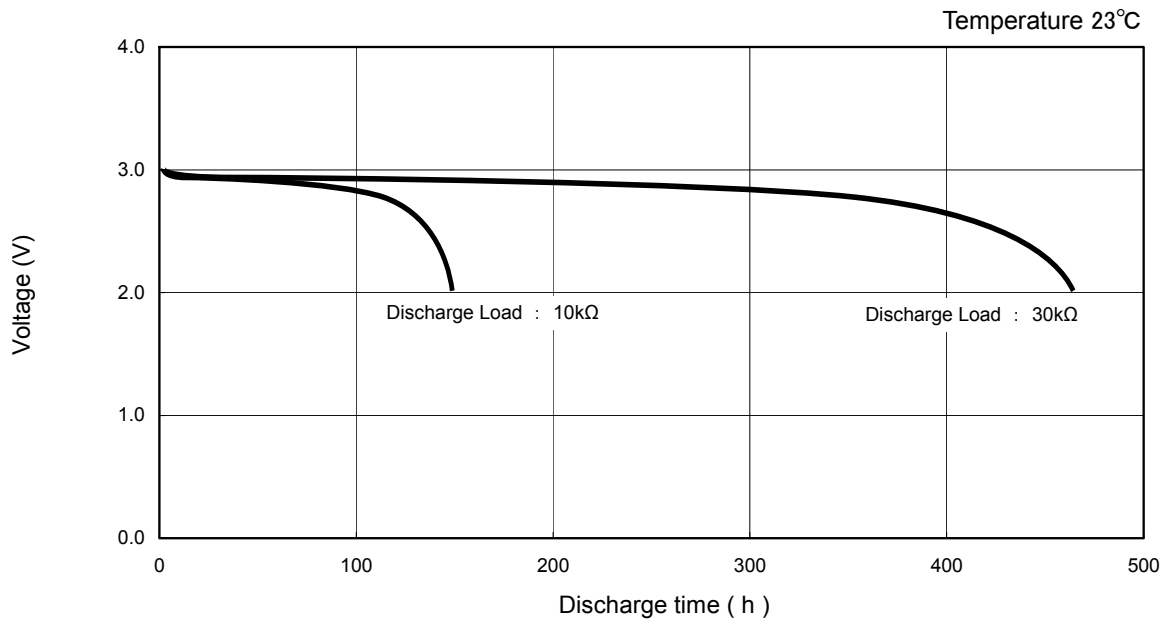
■ Specifications

Nominal Voltage	3V
Nominal Capacity (2.0V cutoff)	40mAh
Standard Discharge Current	0.1mA
Weight	0.8g

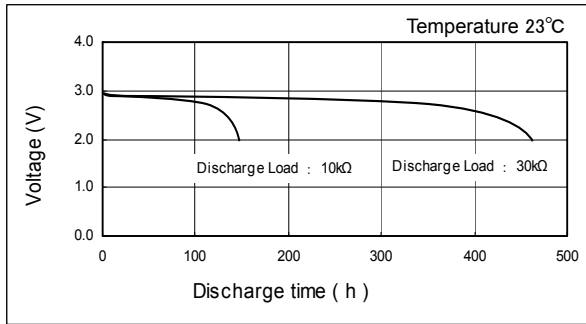
Applications

- Electronic Watch or Clock
- Electronic Calculator
- Memory Back-up Power Source for SRAM or Real Time Clock (RTC)

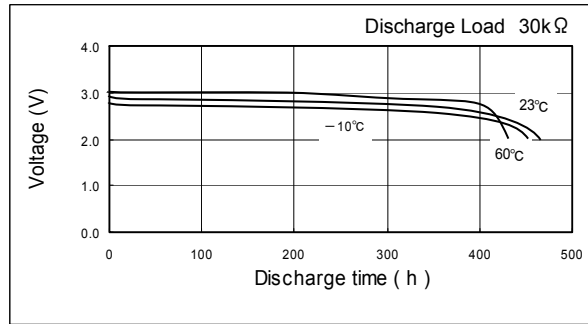
■ Discharge Characteristics



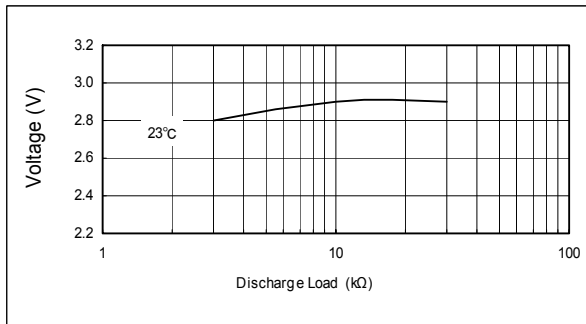
■ Discharge Characteristics on Load



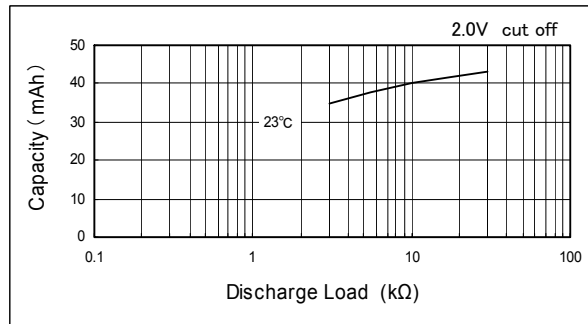
■ Discharge Characteristics on Temperature



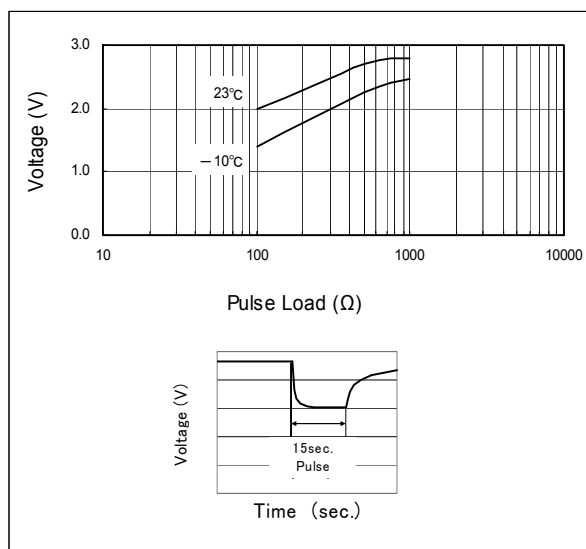
■ Discharge Load vs. Operation Voltage (Discharge depth 40%)



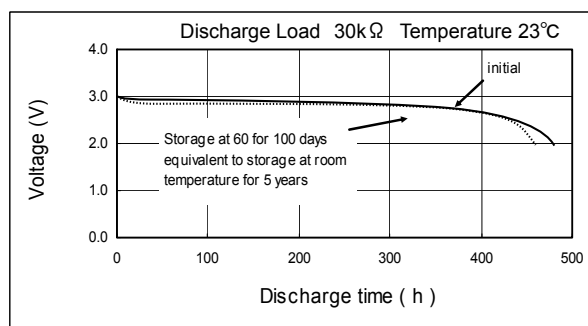
■ Discharge Load vs. Discharge Capacity



■ Discharge Characteristics on Pulse Load (Discharge depth 40%)



■ Storage Characteristics



* These values are not guarantee.