

**FEATURES AND CHARACTERISTICS**

- Contacts: 2 PDT or 4 PDT
- Hermetically sealed
- Weight: 10 oz. max.
- Sensing range: 1 thru 50 Vdc
- Temperature range: -55°C to +125° C
- Custom units available

**GENERAL SPECIFICATIONS**

Input voltage	19.5 to 30 Vdc
Pick-up time	50 ms, max.
Drop-out time	50 ms, max.
Sensing accuracy	±2% through ±10%
Configuration and contact rating	2 PDT, 2 Amps or 10 Amps; 4 PDT, 10 Amps
Temperature range	-55° C to + 125° C
Maximum operating current	75 milliamperes
Voltage transients	PER MIL-STD-704A, CAT.B
Operating cycles at rated resistive load	100,000 cycles min.
Vibration	0.06" D.A., 5 to 80 Hz, 20 g, 80 to 2000 Hz
Shock	50 g, 11 ± 1 ms, 1/2 sine, 3 axes
Acceleration	20 g in any axis
Finish	Tin Plate PER MIL-T-10727
Detailed ordering information	See next page



Featuring **LEACH**® power and control solutions  
[www.esterline.com](http://www.esterline.com)

**AMERICAS**  
 6900 Orangethorpe Ave.  
 P.O. Box 5032  
 Buena Park, CA 90622

**EUROPE**  
 2 Rue Goethe  
 57430 Sarralbe  
 France

**ASIA**  
 Units 602-603 6/F Lakeside 1  
 No.8 Science Park West Avenue  
 Phase Two, Hong Kong Science Park  
 Pak Shek Kok, Tai Po, N.T.  
 Hong Kong  
 Tel: (852) 2 191 3830  
 Fax: (852) 2 389 5803

Tel: (01) 714-736-7599  
 Fax: (01) 714-670-1145

Tel: (33) 3 87 97 31 01  
 Fax: (33) 3 87 97 96 86

Data sheets are for initial product selection and comparison. Contact Esterline Power Systems prior to choosing a component.

				Options
Basic series designation: DC voltage sensor, V110 can size _____	V110	-	K	-
1-Output Configuration: K series relay, 4 PDT, 10 Amps Res, @28 Vdc _____			016	-
2-Trip point: 16 Vdc _____				C
3-Temperature And Accuracy: -55° C to +85° C, ±10% _____				A
4-Mounting Style And Terminals: Style A _____				

**1. SERIES NUMBER**

Indicates physical dimensions and weight  
 V110 1.53 x 1.53 x 2.34 wt 10 oz. max

**2. OUTPUT CONFIGURATION, CONTACT RATINGS**

MIL-PRF-83536 TYPE

J 2 PDT, Leach series J relay, 10 Amp resistive,  
 @28 Vdc and 115 Vac, 400 Hz

K 4 PDT, Leach series K relay, 10 Amp resistive,  
 @28 Vdc and 115 Vac, 400 Hz

NOTE: For additional data on contact ratings, contact the factory.

**3. VOLTAGE TRIP POINT**

Sensing range: 1 Vdc to 50 Vdc  
 Specify trip point within indicated sensing range, specify by using three digits, e.g.

Trip Point: 16 Vdc

Specify: 016

**4. TEMPERATURE RANGE AND ACCURACY**

Code Letter	Temp. Range	Trip Point Accuracy
A	-55° To +85°C	±2%
B	-55° To +85°C	±5%
C	-55° To +85°C	±10%
D	-55° To +125°C	±5%
E	-55° To +125°C	±10%

**5. MOUNTING STYLES AND TERMINALS**

See next page

**NOTES**

**1. Operating Mode**

The output relay energizes when the voltage is above the trip point and de-energizes when the voltage drops below the trip point.

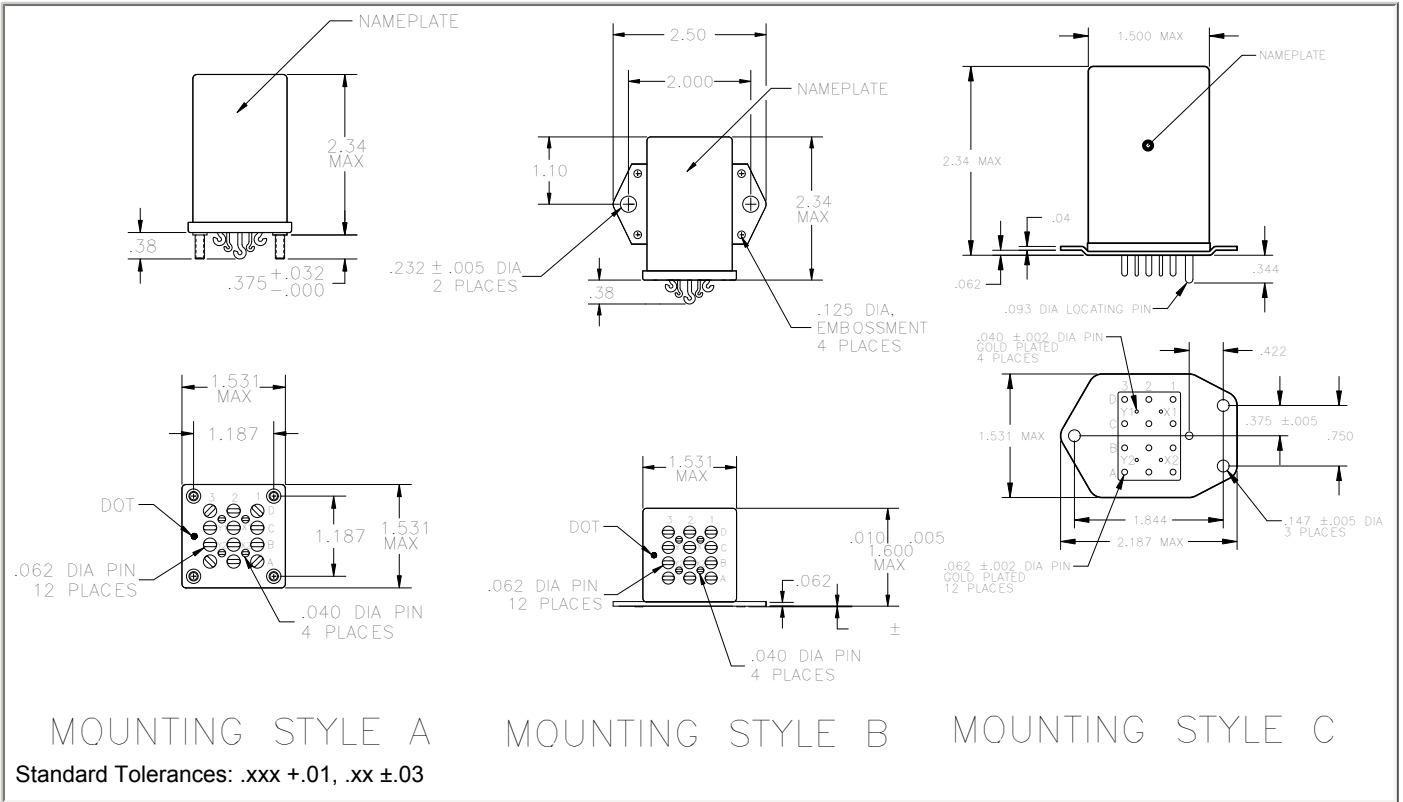
**2. Dielectric Strength**

Input to case	1,000 Vrms
2 Amp contacts	
contacts to case	1,000 Vrms
Across open contacts	500 Vrms
10 Amp contacts	
contacts to case	1,250 Vrms
Across open contacts	1,250 Vrms

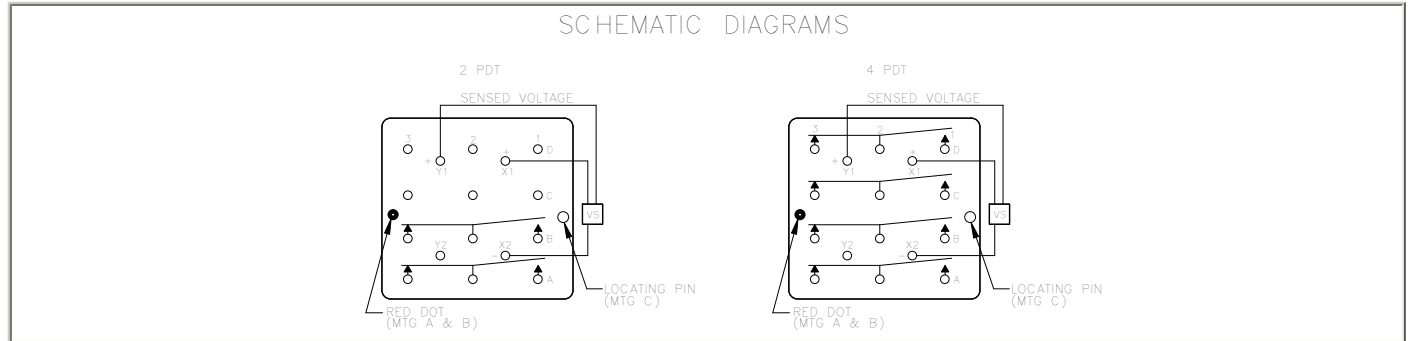
**3. Hysteresis**

Units have a typical hysteresis of 0.5% to eliminate cycling due to small changes in voltage at the trip point.

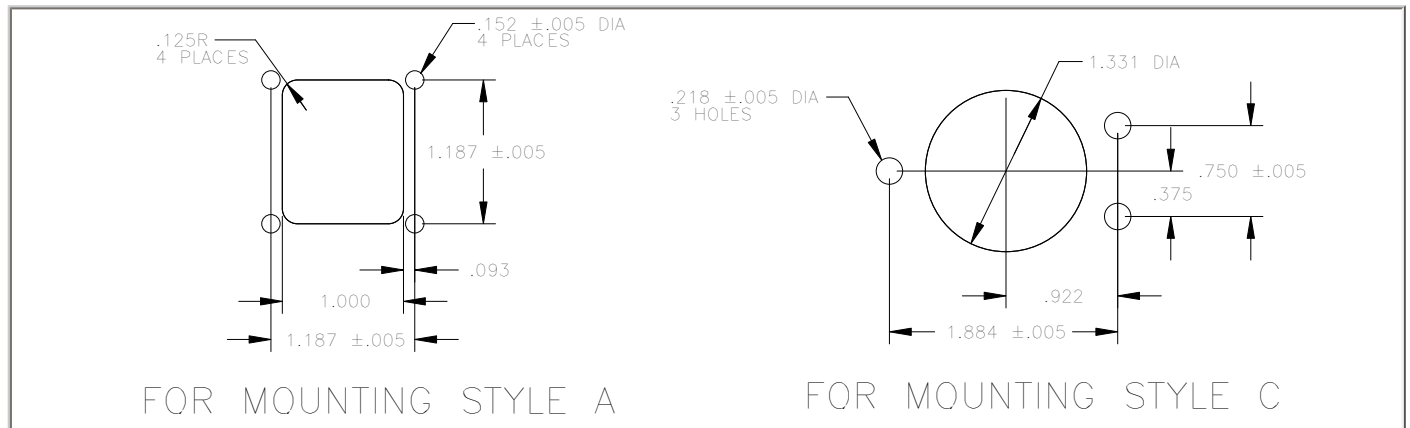
**4. Contact factory for voltage sensor requirements not covered in this publication.**



**SCHEMATIC DIAGRAM**



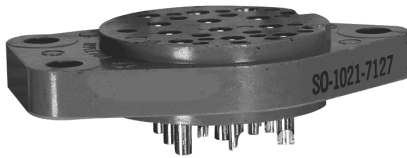
**MOUNTING DIMENSIONS**



# ENGINEERING DATA SHEET

# SO-1021-7127/7126

RELAY SOCKET  
10 AMP



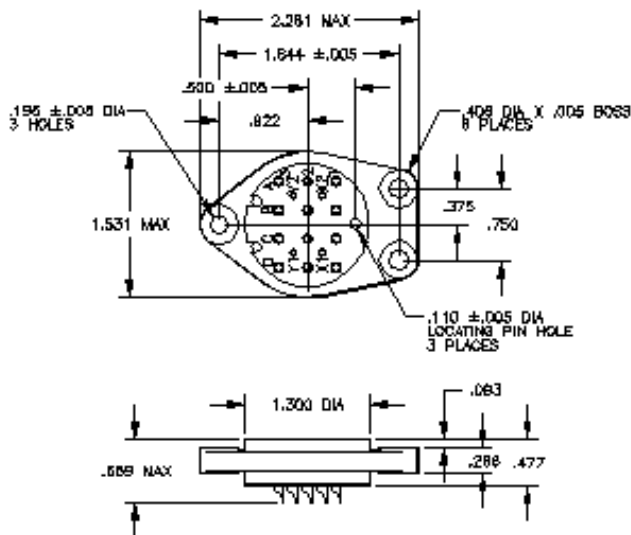
BASIC SOCKET SERIES DESIGNATION FOR:

**Series V110, V210, V310, V710, F410, P510**

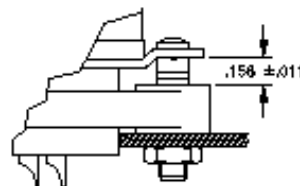
MEETS THE REQUIREMENTS OF:

**MIL-DTL-12883**

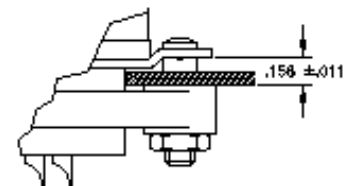
## SOCKET DRAWING



## HARDWARE MOUNTING



TOP MOUNTED



BOTTOM MOUNTED

## GENERAL CHARACTERISTICS

1. Supplied with mounting hardware (SO-1021-7127) or without mounting hardware (SO-1021-7126).

2. Standard tolerances

.xx ±.01; xxx ±.005.

3. Weight

.080 lb. max.

4. Temperature range

-55° C to +125° C

**Esterline** Power Systems

Featuring **LEACH**® power and control solutions  
www.esterline.com

**AMERICAS**  
6900 Orangethorpe Ave.  
P.O. Box 5032  
Buena Park, CA 90622

Tel: (01) 714-736-7599  
Fax: (01) 714-670-1145

**EUROPE**  
2 Rue Goethe  
57430 Sarralbe  
France

Tel: (33) 3 87 97 31 01  
Fax: (33) 3 87 97 96 86

**ASIA**  
Units 602-603 6/F Lakeside 1  
No.8 Science Park West Avenue  
Phase Two, Hong Kong Science Park  
Pak Shek Kok, Tai Po, N.T.  
Hong Kong  
Tel: (852) 2 191 3830  
Fax: (852) 2 389 5803

Data sheets are for initial product selection and comparison. Contact Esterline Power Systems prior to choosing a component.