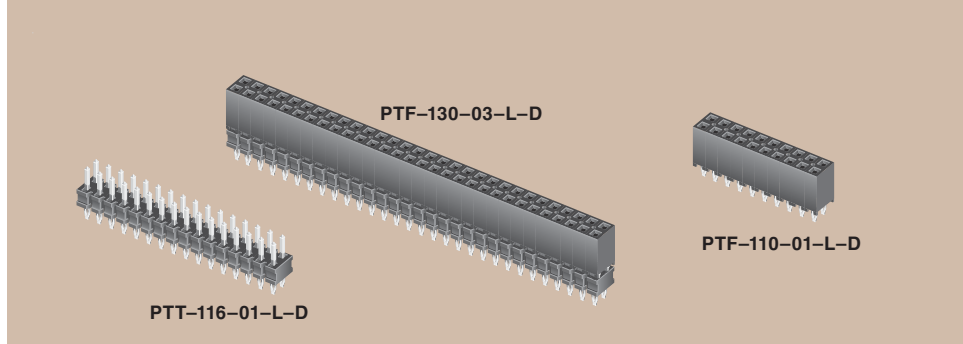


(2,00mm) .0787"

PTT, PTF SERIES



PRESS FIT HEADERS & SOCKETS

SPECIFICATIONS

For complete specifications see www.samtec.com?PTT or www.samtec.com?PTF

Insulator Material:
Black Liquid Crystal Polymer



Contact Material:
Phosphor Bronze

Plating:

Au or Sn over

50µ" (1,27µm) Ni

Current Rating:

2A @ 80°C ambient

Operating Temp Range:

-55°C to +125°C

Insertion Depth:

(2,67mm) .105" to

(3,56mm) .140"

Insertion Force:

(Single contact only)

4oz (1,11N) average

Normal Force:

60 grams (0,59N) average

Withdrawal Force:

(Single contact only)

3oz (0,83N) average

Max Cycles:

100 with 30µ" (0,76µm) Au

RoHS Compliant:

Yes

Lead-Free Solderable:

Yes

PTT	1	NO. PINS PER ROW	01	PLATING OPTION	ROW OPTION	OPTION
02 thru 50			-L = 10µ" (0,25µm) Gold contact, Matte Tin on tail		-D = Double Row	-“XXX” = Polarized Position
					-T = Triple Row	
					-Q = Four Row	
					-5 = Five Row	
					-6 = Six Row	

ALSO AVAILABLE

Press fit tooling available. Contact Samtec.

PTF	1	NO. PINS PER ROW	LEAD STYLE	PLATING OPTION	D	OPTION
02 thru 50			Specify LEAD STYLE from chart	-L = 10µ" (0,25µm) Gold on post, Matte Tin on tail		-“XXX” = Polarized Position

Mates with: PTT, TMMH, TMM, MTMM, MMT, TW, LTMM, ZLTMM

LEAD STYLE	A
-01	(6,35) .250
-03	(9,14) .360

Note: Other Gold plating options available. Contact Samtec.

Note: Some sizes, styles and options are non-standard, non-returnable.

Due to technical progress, all designs, specifications and components are subject to change without notice.

WWW.SAMTEC.COM