



Air moving solutions made simple



AC Fans
DC Fans



AC Blowers
DC Blowers



AC Impellers
DC Impellers



AC Motors



Accessories

Search

Part/Model #
Stock Check
Cross-Reference
Keyword

More Products

Heat Sinks
Fan Accessories
Engineering Tools
Airflow Calculator
Thermal Calculator
Unit Conversions
Application Notes
Custom Solutions
Company Info
Contact Info
Technical Capability
Certifications
Terms & Conditions
Employment Ops

Gateway Online

Phone: 858.348.6200 FAX: 858.566.4577

[Distributors](#)

[Find a Rep](#)

[Contact Us](#)

Major - JQ48B7 - 031328 - Yes
(Family) (Model) (Part #) (In Stock)

Electrical Specifications

Operating Voltage:	48 Volts
Voltage Range:	24 - 56 Volts
Power Supply:	22.0 Watts
Line Current:	0.46 Amps
Locked Rotor Current	1.00 Amps
Nominal Speed:	3475 RPM

Mechanical Specifications

Dimensions:	6.8 x 5.9 x 2.0 in
Weight	29.6 oz
Max Airflow @ 0 in H ₂ O	235.0 CFM
Max Pressure @ 0 CFM	0.812 in H ₂ O
Noise	54.3 dBA

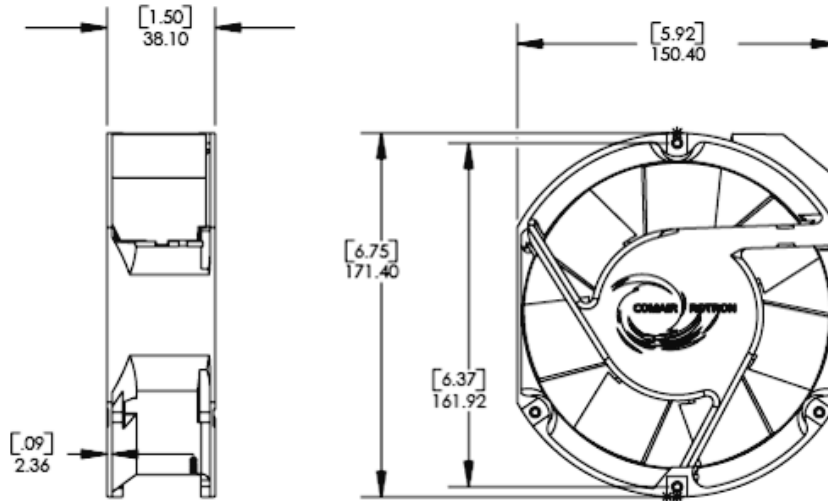


Detailed Drawing



Printer-Friendly Datasheet

Mechanical Drawing



Fan Performance Curve

Fan Configuration Options

Major (Family)	-	JQ48B7 (Model)	-	031328 (Part #)	-	Yes (In Stock)
Fan Speed Options		Fan Bearing Options		Fan Airflow Direction Options		Fan Termination Options
Full Speed (3475 RPM)		Ball Bearings		Flow L (CW Rotation)		Leads
7/8 Speed (3125 RPM)		Sleeve Bearings		Flow R (CCW Rotation)		Terminals

Fan Monitoring Options

- No Fan Monitoring Options Required
- Add Tachometer (2 pulses per revolution.)

Open Collector Output
TTL (+5V) Output
Existing Models with Tachometer Option:
JQ48B7 - 031328 JQ48B7-E2 - 039296 JQ48B7X - 031826 JQ48B7X-E2 - 039436
JQ48C7 - 031539

Add Fan Performance Sensor (FPS)

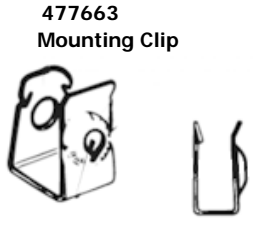
Fan Speed Control Options

Add ThermaPro-V Fan Speed Control

Environmental Protection Options

Add Enviroshield Environmental Protection

Accessories [\(Click on part number for detailed drawing.\)](#)



Comair Rotron, Inc.
Phone: 858.348.6200
FAX: 858.566.4577
sales@comairrotron.com

ThermaFlo, Inc.
Phone: 972.312.8609
FAX: 972.312.8617
info@thermaflo.com

Comair Rotron Europe, Ltd.
Phone: +44.1527.520525
FAX: +44.1527.520565
saleseurope@comairrotron.com

Comair Rotron Fan Company Ltd.
Phone: +86.21.52260581
FAX: +86.21.52260597
salesasia@comairrotron.com