



TIP120, TIP121, TIP122 TIP125, TIP126, TIP127

Complementary power Darlington transistors

Features

- Low collector-emitter saturation voltage
- Complementary NPN - PNP transistors

Applications

- General purpose linear and switching

Description

The devices are manufactured in planar technology with "base island" layout and monolithic Darlington configuration. The resulting transistors show exceptional high gain performance coupled with very low saturation voltage.

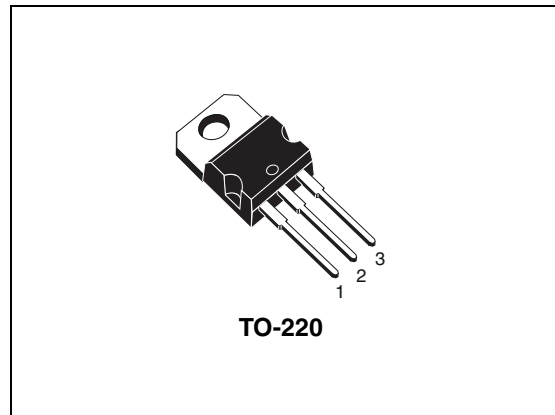


Figure 1. Internal schematic diagrams

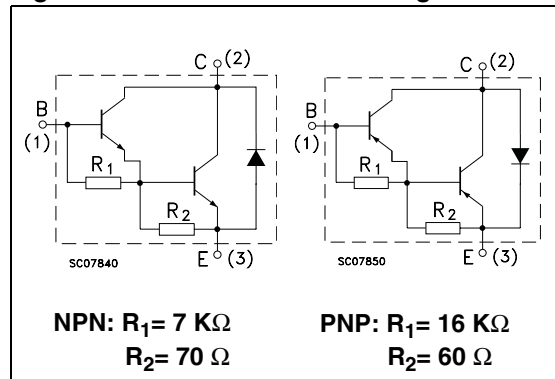


Table 1. Device summary

| Order codes | Marking | Package | Packaging |
|-------------|---------|---------|-----------|
| TIP120 | TIP120 | TO-220 | Tube |
| TIP121 | TIP121 | | |
| TIP122 | TIP122 | | |
| TIP125 | TIP125 | | |
| TIP126 | TIP126 | | |
| TIP127 | TIP127 | | |

Content

| | | |
|----------|---|-----------|
| 1 | Electrical ratings | 3 |
| 2 | Electrical characteristics | 4 |
| | 2.1 Electrical characteristics (curves) | 5 |
| 3 | Test circuits | 7 |
| 4 | Package mechanical data | 8 |
| 5 | Revision history | 11 |

1 Electrical ratings

Table 2. Absolute maximum rating⁽¹⁾

| Symbol | Parameter | Value | | | | Unit |
|------------------|---|------------|--------|--------|--------|------|
| | | NPN | TIP120 | TIP121 | TIP122 | |
| | | PNP | TIP125 | TIP126 | TIP127 | |
| V _{CBO} | Collector-base voltage (I _E = 0) | 60 | 80 | 100 | | V |
| V _{CEO} | Collector-emitter voltage (I _B = 0) | 60 | 80 | 100 | | V |
| V _{EBO} | Emitter-base voltage (I _C = 0) | 5 | | | | V |
| I _C | Collector current | 5 | | | | A |
| I _{CM} | Collector peak current | 8 | | | | A |
| I _B | Base current | 0.12 | | | | A |
| P _{TOT} | Total dissipation at T _c ≤ 25 °C T _{amb} ≤ 25 °C | 65 | | | | W |
| | | 2 | | | | |
| T _{stg} | Storage temperature | -65 to 150 | | | | °C |
| T _J | Max. operating junction temperature | 150 | | | | |

1. For PNP types voltage and current values are negative.

Table 3. Thermal data

| Symbol | Parameter | Value | Unit |
|-----------------------|--|-------|------|
| R _{thj-case} | Thermal resistance junction-case max. | 1.92 | °C/W |
| R _{thj-amb} | Thermal resistance junction-ambient max. | 62.5 | |

2 Electrical characteristics

($T_{\text{case}} = 25\text{ °C}$; unless otherwise specified)

Table 4. Electrical characteristics⁽¹⁾

| Symbol | Parameter | Test conditions | Min. | Typ. | Max. | Unit |
|-----------------------------|---|--|------|------|------|------|
| I_{CEO} | Collector cut-off current ($I_{\text{B}} = 0$) | for TIP120/125 $V_{\text{CE}} = 30\text{ V}$ | | | 0.5 | mA |
| | | for TIP121/126 $V_{\text{CE}} = 40\text{ V}$ | | | 0.5 | mA |
| | | for TIP122/127 $V_{\text{CE}} = 50\text{ V}$ | | | 0.5 | mA |
| I_{CBO} | Collector cut-off current ($I_{\text{B}} = 0$) | for TIP120/125 $V_{\text{CE}} = 60\text{ V}$ | | | 0.2 | mA |
| | | for TIP121/126 $V_{\text{CE}} = 80\text{ V}$ | | | 0.2 | mA |
| | | for TIP122/127 $V_{\text{CE}} = 100\text{ V}$ | | | 0.2 | mA |
| I_{EBO} | Emitter cut-off current ($I_{\text{C}} = 0$) | $V_{\text{EB}} = 5\text{ V}$ | | | 2 | mA |
| $V_{\text{CEO(sus)}}^{(2)}$ | Collector-emitter sustaining voltage ($I_{\text{B}} = 0$) | $I_{\text{C}} = 30\text{ mA}$ for TIP120/125 | 60 | | | V |
| | | for TIP121/126 | 80 | | | V |
| | | for TIP122/127 | 100 | | | V |
| $V_{\text{CE(sat)}}^{(2)}$ | Collector-emitter saturation voltage | $I_{\text{C}} = 3\text{ A}$ $I_{\text{B}} = 12\text{ mA}$ | | | 2 | V |
| | | $I_{\text{C}} = 5\text{ A}$ $I_{\text{B}} = 20\text{ mA}$ | | | 4 | V |
| $V_{\text{BE(on)}}^{(2)}$ | Base-emitter on voltage | $I_{\text{C}} = 3\text{ A}$ $V_{\text{CE}} = 3\text{ V}$ | | | 2.5 | V |
| $h_{\text{FE}}^{(2)}$ | DC current gain | $I_{\text{C}} = 0.5\text{ A}$ $V_{\text{CE}} = 3\text{ V}$ | 1000 | | | |
| | | $I_{\text{C}} = 3\text{ A}$ $V_{\text{CE}} = 3\text{ V}$ | 1000 | | | |

1. For PNP types voltage and current values are negative.

2. Pulsed duration = 300 μs , duty cycle $\leq 2\%$

2.1 Electrical characteristics (curves)

Figure 2. Safe operating area

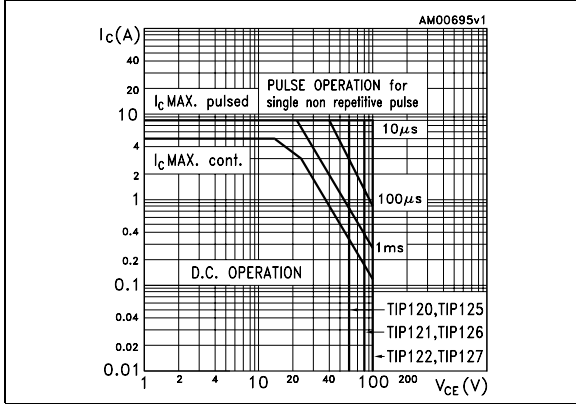


Figure 3. Derating curve

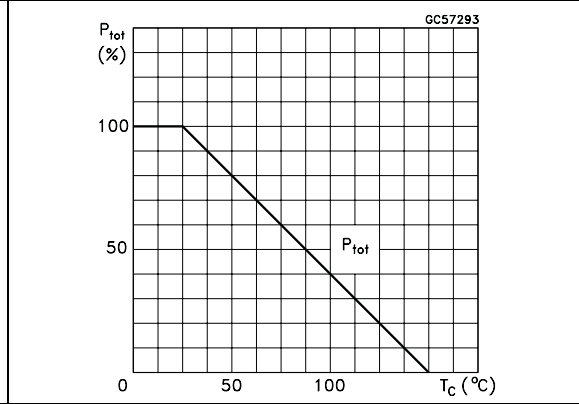


Figure 4. DC current gain for NPN type

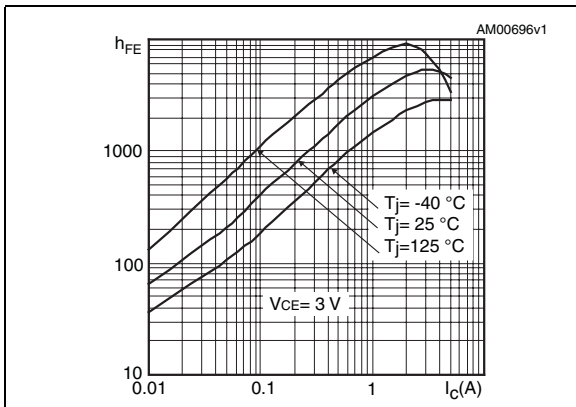


Figure 5. DC current gain for PNP type

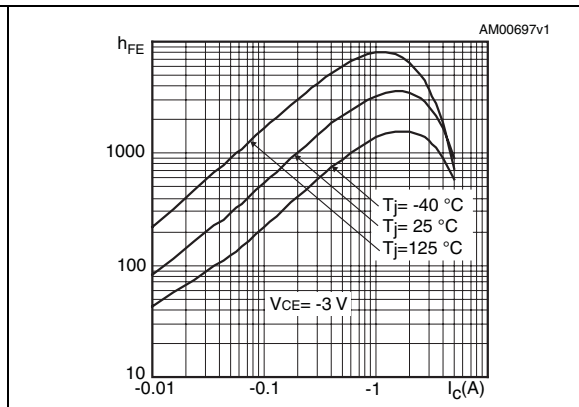


Figure 6. Collector-emitter saturation voltage for NPN type

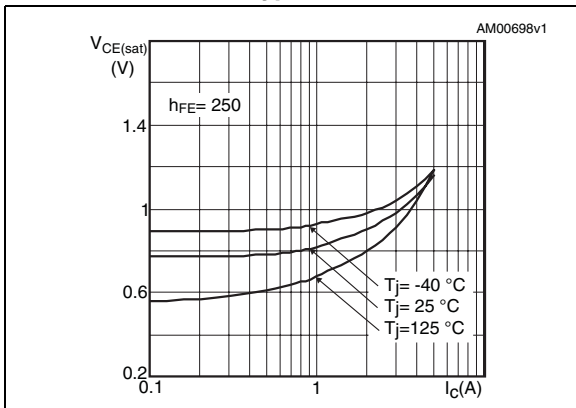


Figure 7. Collector-emitter saturation voltage for PNP type

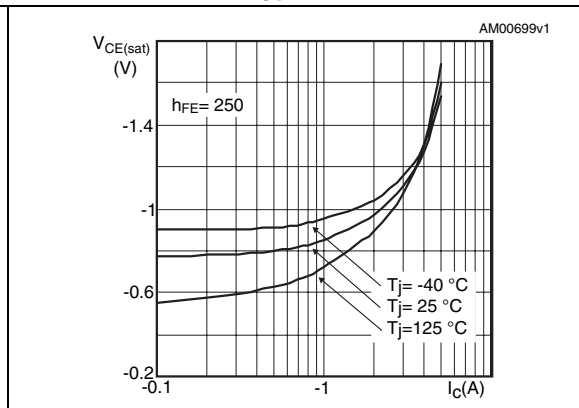


Figure 8. Base-emitter saturation voltage for NPN type

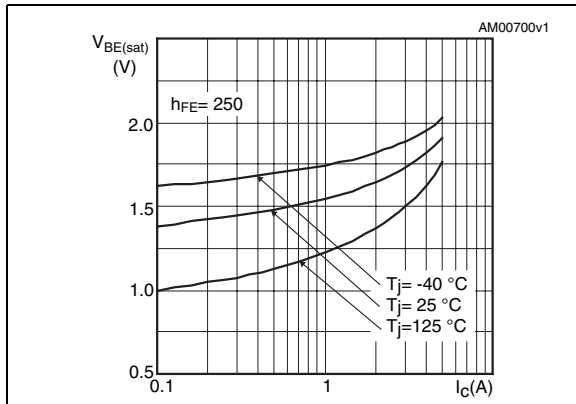


Figure 9. Base-emitter saturation voltage for PNP type

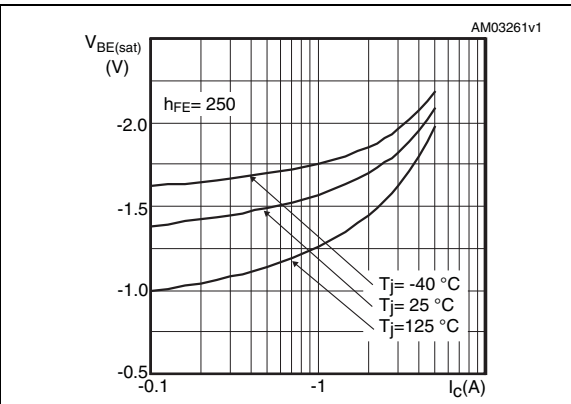


Figure 10. Base-emitter on voltage for NPN type

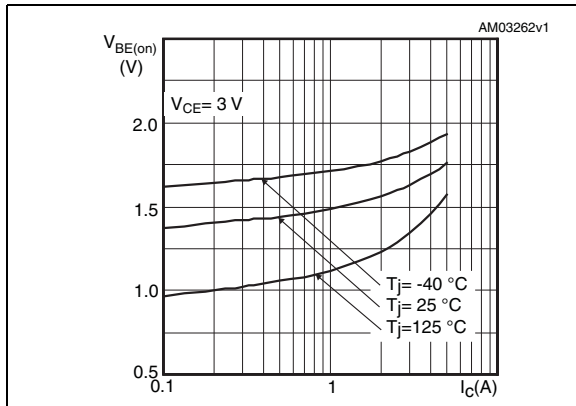


Figure 11. Base-emitter on voltage for PNP type

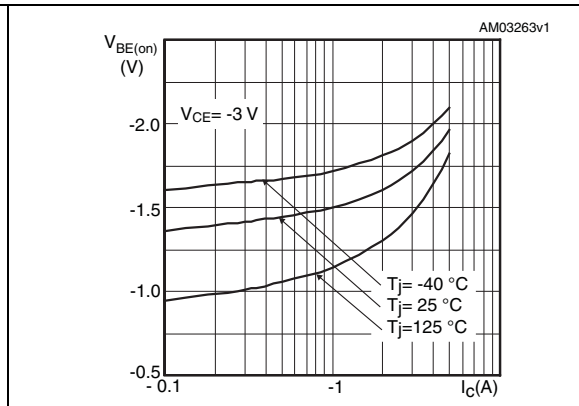


Figure 12. Switching time on resistive load for NPN type (on)

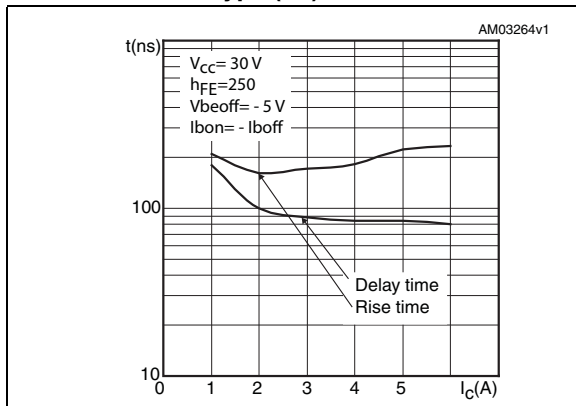


Figure 13. Switching time on resistive load for PNP type (on)

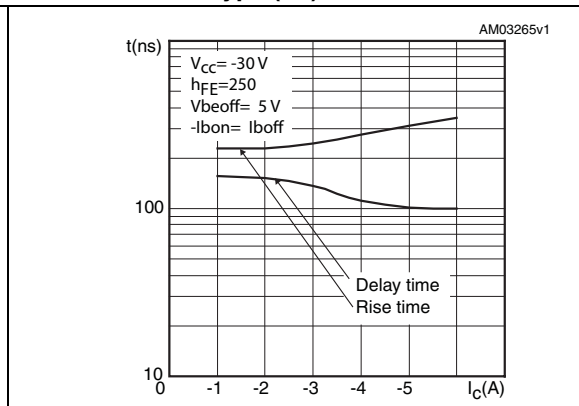


Figure 14. Switching time on resistive load for NPN type (off)

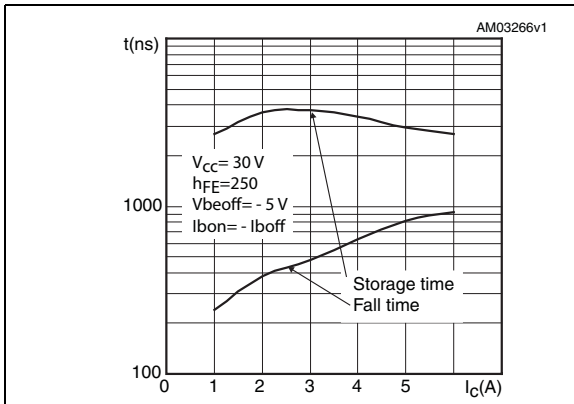


Figure 15. Switching time on resistive load for PNP type (off)

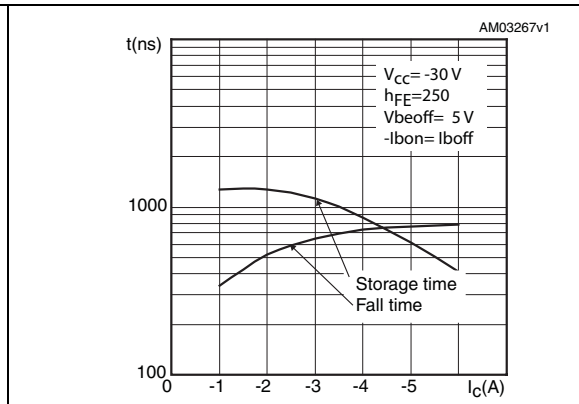


Figure 16. Capacitances for NPN type

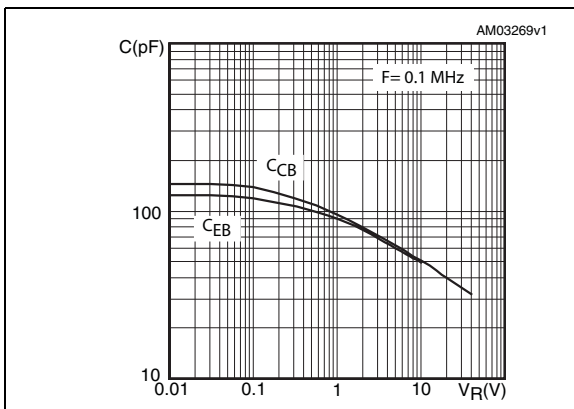
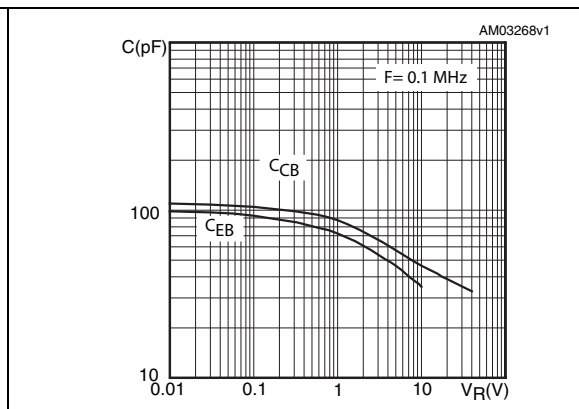


Figure 17. Capacitances for PNP type



3 Test circuits

Figure 18. Resistive load switching for NPN type

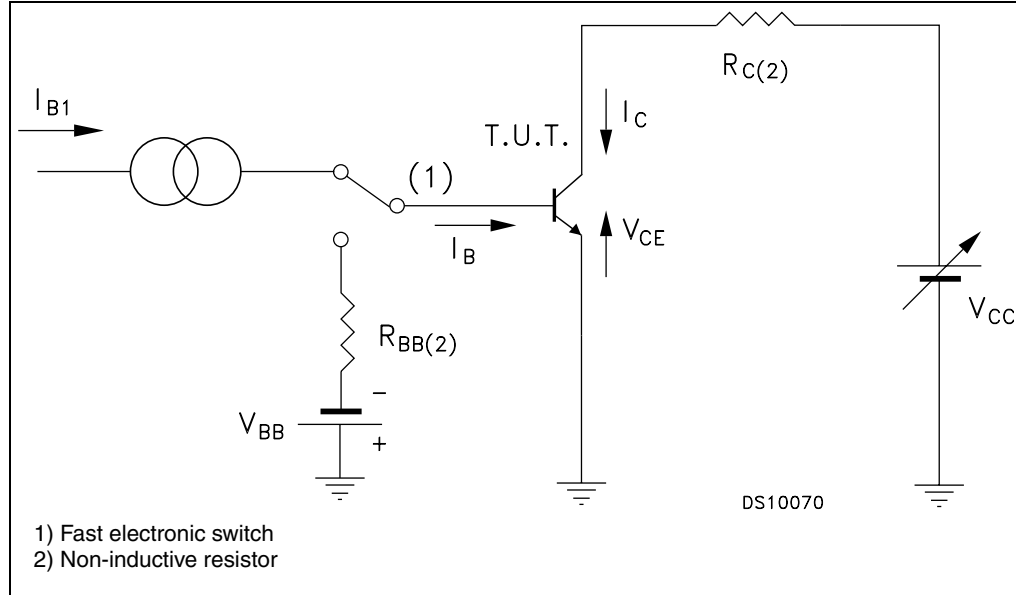
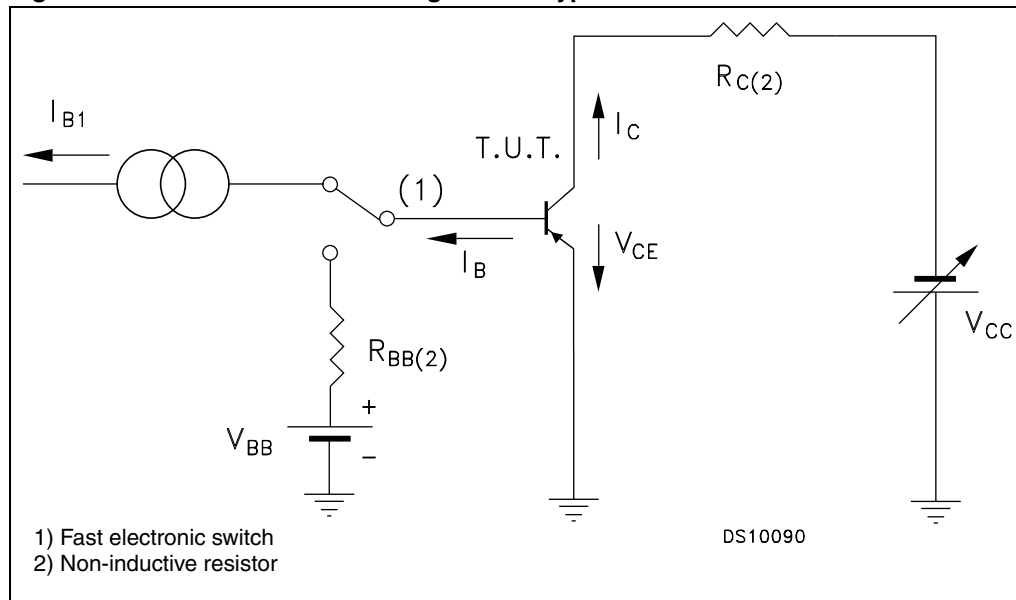


Figure 19. Resistive load switching for PNP type

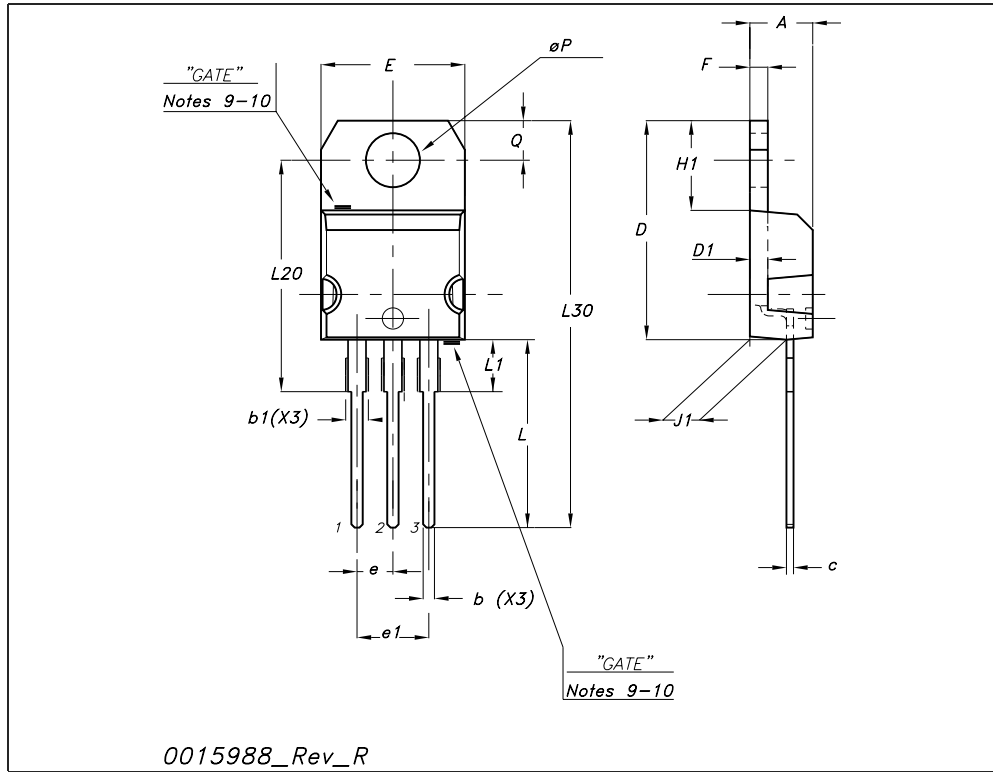


4 Package mechanical data

In order to meet environmental requirements, ST offers these devices in ECOPACK® packages. These packages have a lead-free second level interconnect . The category of second level interconnect is marked on the package and on the inner box label, in compliance with JEDEC Standard JESD97. The maximum ratings related to soldering conditions are also marked on the inner box label. ECOPACK is an ST trademark. ECOPACK specifications are available at: www.st.com

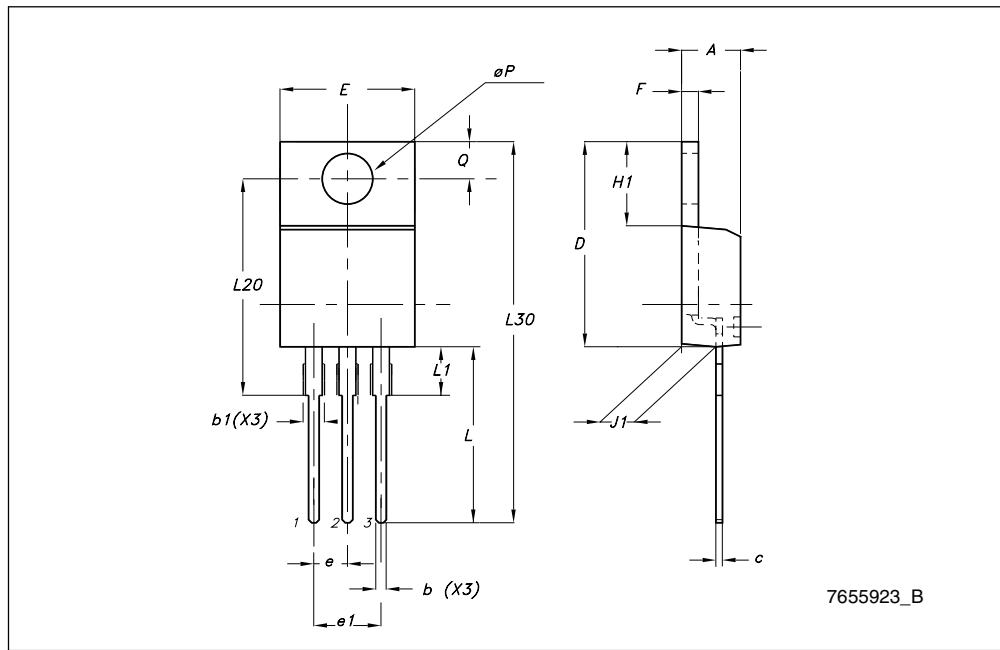
TO-220 mechanical data

| Dim | mm | | | inch | | |
|-----|-------|-------|-------|-------|-------|-------|
| | Min | Typ | Max | Min | Typ | Max |
| A | 4.40 | | 4.60 | 0.173 | | 0.181 |
| b | 0.61 | | 0.88 | 0.024 | | 0.034 |
| b1 | 1.14 | | 1.70 | 0.044 | | 0.066 |
| c | 0.48 | | 0.70 | 0.019 | | 0.027 |
| D | 15.25 | | 15.75 | 0.6 | | 0.62 |
| D1 | | 1.27 | | | 0.050 | |
| E | 10 | | 10.40 | 0.393 | | 0.409 |
| e | 2.40 | | 2.70 | 0.094 | | 0.106 |
| e1 | 4.95 | | 5.15 | 0.194 | | 0.202 |
| F | 1.23 | | 1.32 | 0.048 | | 0.051 |
| H1 | 6.20 | | 6.60 | 0.244 | | 0.256 |
| J1 | 2.40 | | 2.72 | 0.094 | | 0.107 |
| L | 13 | | 14 | 0.511 | | 0.551 |
| L1 | 3.50 | | 3.93 | 0.137 | | 0.154 |
| L20 | | 16.40 | | | 0.645 | |
| L30 | | 28.90 | | | 1.137 | |
| ∅P | 3.75 | | 3.85 | 0.147 | | 0.151 |
| Q | 2.65 | | 2.95 | 0.104 | | 0.116 |



TO-220 type E mechanical data

| DIM. | mm. | | |
|------|-------|------|-------|
| | MIN. | TYP | MAX. |
| A | 4.47 | | 4.67 |
| b | 0.70 | | 0.91 |
| b1 | 1.17 | | 1.37 |
| c | 0.31 | | 0.53 |
| D | 14.60 | | 15.70 |
| E | 9.96 | | 10.36 |
| e | | 2.54 | |
| e1 | 4.98 | 5.08 | 5.18 |
| F | 1.17 | | 1.37 |
| H1 | 6.10 | | 6.80 |
| J1 | 2.52 | | 2.82 |
| L | 12.70 | | 13.80 |
| L1 | 3.20 | | 3.96 |
| L20 | 15.21 | | 16.77 |
| øP | 3.73 | | 3.94 |
| Q | 2.59 | | 2.89 |



5 Revision history

Table 5. Document revision history

| Date | Revision | Changes |
|-------------|----------|---|
| 21-Jun-2004 | 3 | |
| 25-Nov-2008 | 4 | Inserted new Section 2.1: Electrical characteristics (curves) |

Please Read Carefully:

Information in this document is provided solely in connection with ST products. STMicroelectronics NV and its subsidiaries ("ST") reserve the right to make changes, corrections, modifications or improvements, to this document, and the products and services described herein at any time, without notice.

All ST products are sold pursuant to ST's terms and conditions of sale.

Purchasers are solely responsible for the choice, selection and use of the ST products and services described herein, and ST assumes no liability whatsoever relating to the choice, selection or use of the ST products and services described herein.

No license, express or implied, by estoppel or otherwise, to any intellectual property rights is granted under this document. If any part of this document refers to any third party products or services it shall not be deemed a license grant by ST for the use of such third party products or services, or any intellectual property contained therein or considered as a warranty covering the use in any manner whatsoever of such third party products or services or any intellectual property contained therein.

UNLESS OTHERWISE SET FORTH IN ST'S TERMS AND CONDITIONS OF SALE ST DISCLAIMS ANY EXPRESS OR IMPLIED WARRANTY WITH RESPECT TO THE USE AND/OR SALE OF ST PRODUCTS INCLUDING WITHOUT LIMITATION IMPLIED WARRANTIES OF MERCHANTABILITY, FITNESS FOR A PARTICULAR PURPOSE (AND THEIR EQUIVALENTS UNDER THE LAWS OF ANY JURISDICTION), OR INFRINGEMENT OF ANY PATENT, COPYRIGHT OR OTHER INTELLECTUAL PROPERTY RIGHT.

UNLESS EXPRESSLY APPROVED IN WRITING BY AN AUTHORIZED ST REPRESENTATIVE, ST PRODUCTS ARE NOT RECOMMENDED, AUTHORIZED OR WARRANTED FOR USE IN MILITARY, AIR CRAFT, SPACE, LIFE SAVING, OR LIFE SUSTAINING APPLICATIONS, NOR IN PRODUCTS OR SYSTEMS WHERE FAILURE OR MALFUNCTION MAY RESULT IN PERSONAL INJURY, DEATH, OR SEVERE PROPERTY OR ENVIRONMENTAL DAMAGE. ST PRODUCTS WHICH ARE NOT SPECIFIED AS "AUTOMOTIVE GRADE" MAY ONLY BE USED IN AUTOMOTIVE APPLICATIONS AT USER'S OWN RISK.

Resale of ST products with provisions different from the statements and/or technical features set forth in this document shall immediately void any warranty granted by ST for the ST product or service described herein and shall not create or extend in any manner whatsoever, any liability of ST.

ST and the ST logo are trademarks or registered trademarks of ST in various countries.

Information in this document supersedes and replaces all information previously supplied.

The ST logo is a registered trademark of STMicroelectronics. All other names are the property of their respective owners.

© 2008 STMicroelectronics - All rights reserved

STMicroelectronics group of companies

Australia - Belgium - Brazil - Canada - China - Czech Republic - Finland - France - Germany - Hong Kong - India - Israel - Italy - Japan - Malaysia - Malta - Morocco - Singapore - Spain - Sweden - Switzerland - United Kingdom - United States of America

www.st.com

