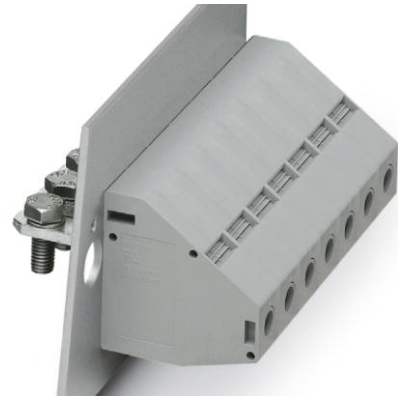


## HDFKV 50-VP


Order No.: 0708580



<http://eshop.phoenixcontact.de/phoenix/treeViewClick.do?UID=0708580>

Feed-through terminal block, Connection method: Screw connection, Bolt connection, Load current : 150 A, Cross-section: 16 mm<sup>2</sup> - 50 mm<sup>2</sup>, Connection direction of the conductor to plug-in direction: 90 °, Width: 18.8 mm, Color: gray

### Commercial data

GTIN (EAN)	
sales group	A422
Pack	10 pcs.
Customs tariff	85369010
Catalog page information	Page 673 (CC-2011)

### Product notes

WEEE/RoHS-compliant since:  
08/25/2005



<http://www.download.phoenixcontact.com>  
Please note that the data given here has been taken from the online catalog. For comprehensive information and data, please refer to the user documentation. The General Terms and Conditions of Use apply to Internet downloads.

### Technical data

#### General

Number of levels	1
Number of connections	2
Color	gray

Insulating material	PA
Inflammability class acc. to UL 94	V0

#### Dimensions

Width	18.8 mm
Length	90 mm

#### Technical data

Maximum load current	150 A
Rated surge voltage	8 kV
Pollution degree	3
Surge voltage category	III
Insulating material group	I
Connection in acc. with standard	IEC 60947-7-1
Nominal current $I_N$	150 A
Nominal voltage $U_N$	690 V

#### Connection data

Note	Achtung: Im Downloadbereich finden Sie Artikelfreigaben, Anschlussquerschnitte und Hinweise zum Anschluss von Aluminiumleitern.
Conductor cross section solid min.	16 mm <sup>2</sup>
Conductor cross section solid max.	50 mm <sup>2</sup>
Conductor cross section stranded min.	16 mm <sup>2</sup>
Conductor cross section stranded max.	50 mm <sup>2</sup>
Conductor cross section AWG/kcmil min.	6
Conductor cross section AWG/kcmil max	1/0
Conductor cross section stranded, with ferrule without plastic sleeve min.	10 mm <sup>2</sup>
Conductor cross section stranded, with ferrule without plastic sleeve max.	50 mm <sup>2</sup>
Conductor cross section stranded, with ferrule with plastic sleeve min.	10 mm <sup>2</sup>
Conductor cross section stranded, with ferrule with plastic sleeve max.	50 mm <sup>2</sup>
2 conductors with same cross section, solid min.	6 mm <sup>2</sup>
2 conductors with same cross section, solid max.	16 mm <sup>2</sup>
2 conductors with same cross section, stranded min.	10 mm <sup>2</sup>

2 conductors with same cross section, stranded max.	16 mm <sup>2</sup>
2 conductors with same cross section, stranded, ferrules without plastic sleeve, min.	6 mm <sup>2</sup>
2 conductors with same cross section, stranded, ferrules without plastic sleeve, max.	16 mm <sup>2</sup>
2 conductors with same cross section, stranded, TWIN ferrules with plastic sleeve, min.	6 mm <sup>2</sup>
2 conductors with same cross section, stranded, TWIN ferrules with plastic sleeve, max.	10 mm <sup>2</sup>
Connection method	Screw connection
Stripping length	24 mm
Internal cylindrical gage	B10
Screw thread	M6
Tightening torque, min	6 Nm
Tightening torque max	8 Nm

#### Certificates / Approvals



Certification

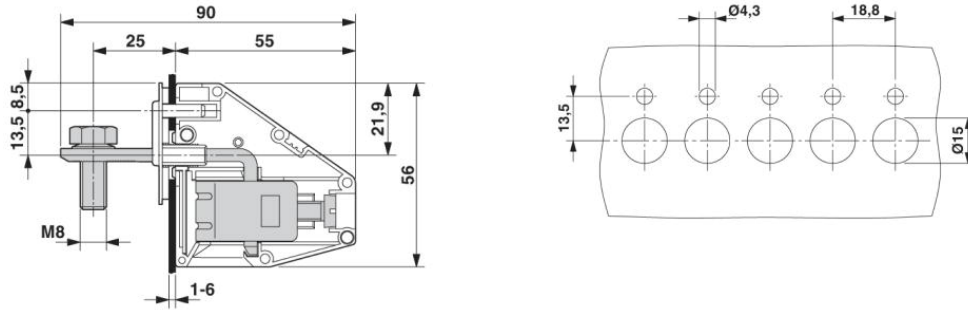
CB, CSA, GOST, KEMA, UL

#### Accessories

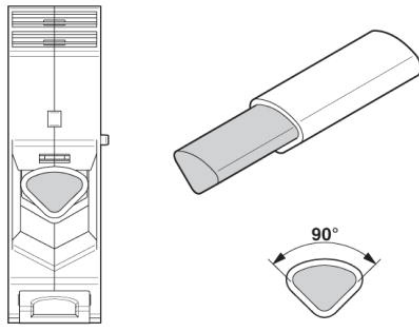
Item	Designation	Description
<b>Marking</b>		
1050525	ZB10:SO/CMS	Zack strip, 10-section, divisible, special printing, marking according to customer requirements

## Diagrams/Drawings

### Dimensioned drawing



### Schematic diagram



Anschluss von Aluminiumleitern. Weitere Hinweise im Downloadbereich

**Address**

PHOENIX CONTACT Inc., USA  
586 Fulling Mill Road  
Middletown, PA 17057, USA  
Phone (800) 888-7388  
Fax (717) 944-1625  
<http://www.phoenixcon.com>



© 2011 Phoenix Contact  
Technical modifications reserved;