

CURRENT SENSE TRANSFORMERS

FIS 1X5 Series



- Current sense transformers provide output feedback to the pulse control circuitry allowing low-cost regulation of switch-mode power supplies
- Fully encapsulated construction
- Isolation primary to secondary: 4000V AC
- 25A maximum primary current, 500kHz maximum frequency
- Applications: switch-mode power supplies, lighting, switch controls

Electrical Specifications @ 25°C- Operating Temperature -40°C to +125°C

Part No.	RoHS Compliant Part No.	Prim/Sec Ratio	Sec L (mH MIN)	Sec DCR (Ω MAX)	V x τ (MAX)
FIS105	FIS105NL	1:50	4.7	0.5	175 μVS
FIS115	FIS115NL	1:100	18	2.0	350 μVS
FIS125	FIS125NL	1:200	76	4.5	700 μVS
FIS155	FIS155NL	1:500	470	16.0	1750 μVS
FIS1105	-	1:1000	1900	50.0	3500 μVS

NOTES:

L: Inductance: (2-1) tested at 10kHz & 10mV

Rt (Ω): Recommended Terminating Resistance

V x τ: V = Rt x Is

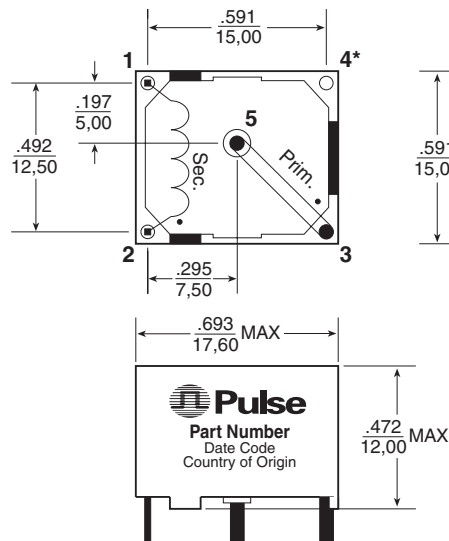
$$\tau = \frac{1}{2F}$$

Is (A): Sec. Current

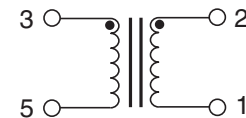
F(Hz): Frequency

Mechanical

Schematic



- Pins 3 & 5 □ 1,2 mm
- Pins 1 & 2 □ 0,5 mm
- Stand off



	FIS105/15/25/55	FIS1105
Weight.....	7.0 grams.....	8.0 grams
Tray.....	30/tray.....	34/tray
Dimensions: Inches		
mm		
Unless otherwise specified, all tolerances are ± .020 / 0,50		

For More Information:

Pulse Worldwide Headquarters

12220 World Trade Dr.
San Diego, CA 92128
U.S.A.

www.pulseeng.com

Tel: 858 674 8100
Fax: 858 674 8262

Pulse Europe

Zeppelinstrasse 15
D-71083 Herrenberg
Germany

Tel: 49 7032 7806 0
Fax: 49 7032 7806 135

Pulse China Headquarters

B402, Shenzhen Academy of
Aerospace Technology Bldg.
10th Kejinan Rd.
High-Tech Zone
Nanshan District
Shenzhen, PR China 518057

Tel: 86 755 33966678
Fax: 86 755 33966700

Pulse North China

Room 2704/2705
Super Ocean Finance Ctr.
2067 Yan An Rd. West
Shanghai 200336
China

Tel: 86 21 62787060
Fax: 86 2162786973

Pulse South Asia

135 Joo Seng Rd.
#03-02
PM Industrial Bldg.
Singapore 368363

Tel: 65 6287 8998
Fax: 65 6287 8998

Pulse North Asia

3F, No. 198
Zhongyuan Rd.
Zhongli City
Taoyuan County 320
Taiwan R. O. C.

Tel: 886 3 4356768
Fax: 886 3 4356823 (Pulse)
Fax: 886 3 4356820 (FRE)

Performance warranty of products offered on this data sheet is limited to the parameters specified. Data is subject to change without notice. Other brand and product names mentioned herein may be trademarks or registered trademarks of their respective owners. © Copyright, 2010. Pulse Engineering, Inc. All rights reserved.