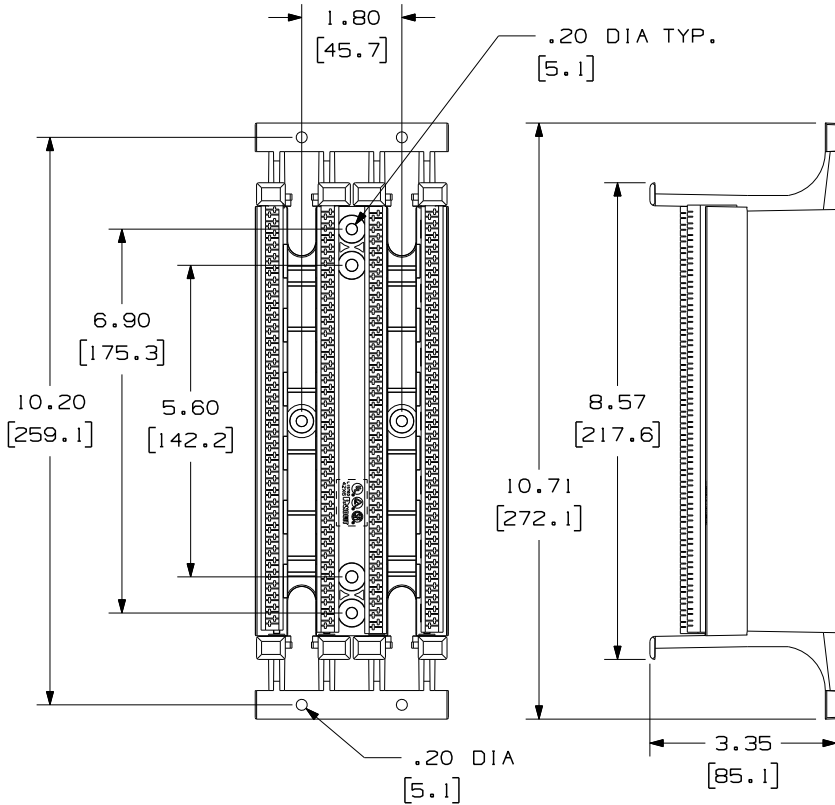
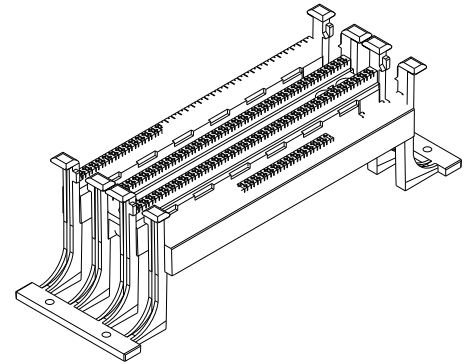


THIS COPY IS PROVIDED ON A RESTRICTED BASIS AND IS NOT TO BE USED IN ANY WAY DETRIMENTAL TO THE INTERESTS OF PANDUIT CORP.



| PANDUIT P/N | WEIGHT |
|-------------|-----------------------------|
| GPKBW144Y | .67 LB/EACH (305 g/EACH) |



| | | | |
|--|------------------------|--|---|
| MODEL FILENAME | MO2479KE_DC266_00B.PRT | SIZE | A |
| GIGA-PUNCH HIGH DENSITY FIELD TERMINATION KIT CUSTOMER DRAWING | | | |
| PANDUIT ™ CORP. TINLEY PARK, ILL 60477 | | I.I. NUMBER | |
| THIRD ANGLE PROJECTION | | PRODUCT SPEC/ PKG SPEC | |
| ALL DIMENSIONS ARE GIVEN IN INCHES, UNLESS OTHERWISE SPECIFIED. DIMENSIONAL TOLERANCES ARE: (.X) ±.03 (.XXX) ±.005 (.XX) ±.01 ANGLES ± 1° | | ASSY METHOD/ TEST METHOD | |
| DRAWN BY NER | | SCALE NONE | |
| DATE 3-20-06 | | PART NO. GPKBW144Y | |
| CHK'D | | DRAWING NO. 02479-266 SHEET 1 OF 2 | |
| REVIEW DRAWING NUMBERS | | MAT'L SEE NOTES | |


| R | 3-20-06 | NER | | RELEASED TO PRODUCTION | 02479-266 | | | | | | |
|-----|---------|-----|-----|------------------------|-----------|---|------|-----|-----|-------|--|
| REV | DATE | BY | CHK | DESCRIPTION | ECN | R | CUST | SUP | OTH | CHK'D | |

THIS COPY IS PROVIDED ON A RESTRICTED BASIS AND IS NOT TO BE USED IN ANY WAY DETRIMENTAL TO THE INTERESTS OF PANDUIT CORP.

NOTES:

1. SEE CURRENT CATALOG FOR ADDITIONAL PART NUMBER SUFFIXES TO INDICATE COLOR AND OR PACKAGE QUANTITY.
2. SEE CATALOG FOR COMPLETE LIST OF PARTS APPLICABLE FOR USE WITH THIS PART.
3. DIMENSIONS IN PARENTHESES ARE IN METRIC.
4. INSTALLATION REQUIRES SCREWS.
5. MATERIAL:
WIRE STRIP- POLYCARBONATE
BASE- POLYCARBONATE
6. SEE CHART FOR PARTS INCLUDED WITH KIT.

| GIGA-PUNCH FIELD TERMINATION KIT | | | | |
|----------------------------------|--------------------|----------------------------|-------------------------|------------------|
| PART NO. | BASE | NUMBER OF CONNECTOR BLOCKS | NUMBER OF LABEL HOLDERS | NUMBER OF LABELS |
| GPKBW144Y | 144 PAIR WITH LEGS | 36 | 2 | 2 |

| | | |
|--|--|--|
| MODEL FILENAME | | SIZE |
| DRAWING FILENAME M02479KE_DC266_00B.PRT | | A |
| GIGA-PUNCH HIGH DENSITY FIELD TERMINATION KIT CUSTOMER DRAWING | | |
|  PANDUIT ™ CORP. TINLEY PARK, ILL 60477 | | I.I. NUMBER |
| THIRD ANGLE PROJECTION | | PRODUCT SPEC/ PKG SPEC |
| ALL DIMENSIONS ARE GIVEN IN INCHES. UNLESS OTHERWISE SPECIFIED. DIMENSIONAL TOLERANCES ARE: (.X) ±.03 (.XXX) ±.005 (.XX) ±.01 ANGLES ± 1° | | ASSY METHOD/ TEST METHOD |
| DRAWN BY NER | | SCALE NONE |
| DATE 3-20-06 | | PART NO. GPKBW144Y |
| CHK'D | | DRAWING NO. 02479-266 SHEET 2 OF 2 |
| REVIEW DRAWING NUMBERS | | MAT'L SEE NOTES |

| REV | DATE | BY | CHK | DESCRIPTION | ECN | R | CUST | SUP | OTH |
|-----|---------|-----|-----|-----------------------------------|-----------|---|------|-----|-----|
| R | 3-20-06 | NER | | SEE SHEET 1 FOR CURRENT REVISIONS | 02479-266 | | | | |