



[Print](#)

**Products**

Search By:

Enter Molex Part No. or Keyword

[English](#) [Español](#) [Français](#) [Italiano](#) [Deutsch](#) [Polski](#) [Português](#) [По Русски](#)  
[中文显示](#) [日本語](#) [한국어](#)



**Datasheet**  
**Application Tooling**

[ [Home](#) > [Products](#) > [Application Tooling](#) > [Datasheet](#) ]

**63850-3000**

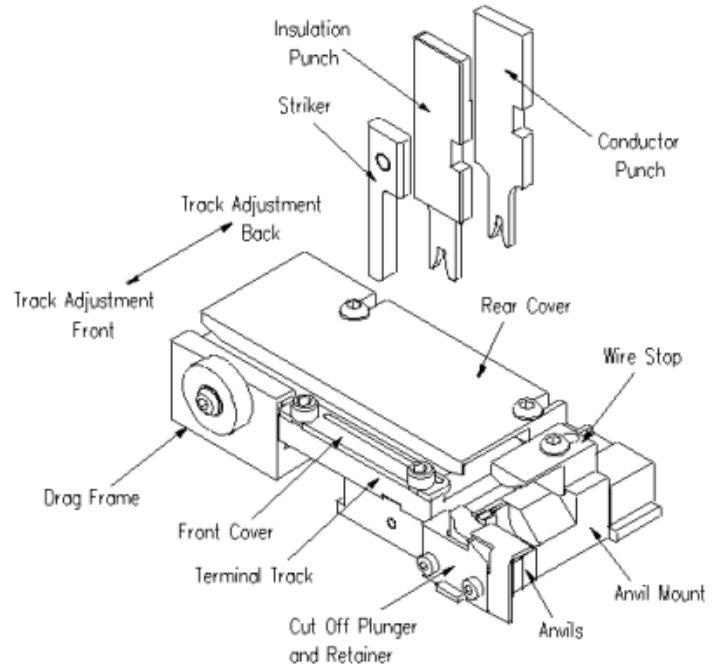
**T2 Terminator Die - Large Insulation**

[View all parts in series 63850](#) [E-mail this page](#)

**63850-3000**

- [Datasheet](#)
- [Tooling Manual \(PDF\)](#)
- [Manual de Heramientas \(PDF\)](#)
- [Tooling Specification \(PDF\)](#)
- [Crimp Quality Handbook \(PDF\)](#)
- [Calidad de Crimpeo \(PDF\)](#)

|   |  |
|---|--|
| <a href="#">Status</a>                              | Active   |
| <a href="#">Geographic Area</a>                     | Americas   |
| <a href="#">Region</a>                              | Americas   |
| Level of Automation                                 | Semi-automatic   |
| <a href="#">Function</a>                            | Crimp  |
| Tool Type   | T2 Terminator Die  |
| <a href="#">Wire Size [AWG]</a>                     | 24, 22, 20, 18   |
| Wire Size [mm <sup>2</sup> ]                        | 0.20 - 0.80  |
| <a href="#">Wire Insulation Diameter</a>            | 1.40-3.00mm (.055-.118")   |
| <a href="#">Wire Strip Length</a>                   | 3.00-3.50mm (.118-.138")   |
| Spare Tooling / Locator                             | 638503070  |
| <a href="#">Use With</a>                            | Molex TM-42 press 69002-5001 and base unit 11-19-3001 for the 3BF press        |
| <a href="#">Product Name</a>                        | T2   |
| <a href="#">More Detailed Technical Information</a> | <a href="mailto:applicationtooling@molex.com">applicationtooling@molex.com</a> |



T2 TERMINATOR DIE

**Features and Benefits**

|                              |                                      |
|------------------------------|--------------------------------------|
| Survey                       | <a href="#">Tooling Satisfaction</a> |
| <a href="#">Molex Series</a> | <b>63850</b>                         |



- Flexible and inexpensive
- Enhanced crimping productivity
- Simple installation
- Quick release punches
- T2 Terminator has standardized tooling with Molex FineAdjust Applicator
- Track adjustment capabilities in the T2 Terminators for improved control of the bellmouth size and cutoff tab length

#### Related Products

| CRIMP TERMINALS            |   |
|----------------------------|---|
| Product Number             | Description   |
| <a href="#">50217-8000</a> | 3.50mm (.138") Pitch Crimp Terminal 50217, 18-24 AWG, Reel, Phosphor Bronze |
| <a href="#">50217-9001</a> | 3.50mm (.138") Pitch Crimp Terminal 50217, 18-24 AWG, Reel, Brass           |
| <a href="#">50539-8000</a> | 3.96mm (.156") Pitch Crimp Terminal, Female, for 51144 Housing, Reel        |

**For all product dimensions, please refer to Drawing (PDF).**

© Copyright 2005 Molex Incorporated