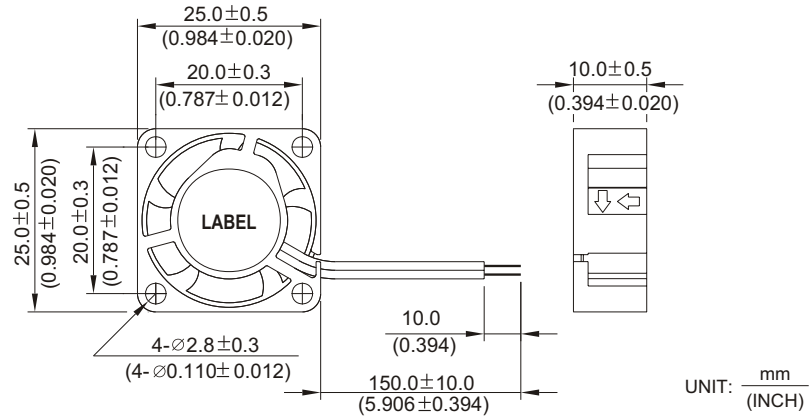


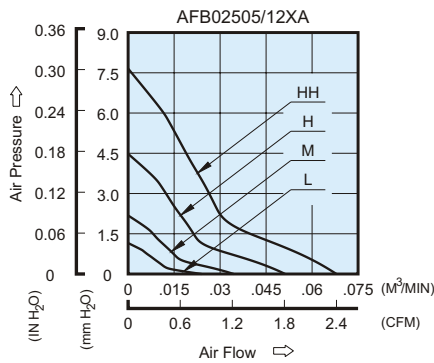
# AFB 25 x 25 x 10 MM SERIES

## DIMENSIONS DRAWING

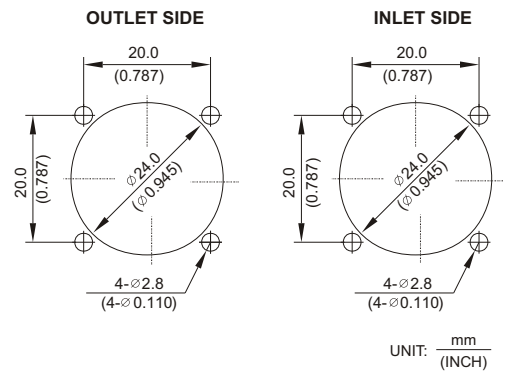


- \* Bearing Type  
Ball Bearings
- \* Material  
Impeller & Frame : Plastic (UL 94V-0)
- \* Lead Wires :  
UL 1061 AWG #26 OR Equivalent  
Red Wire Positive (+)  
Black Wire Negative (-)
- \* Weight : 10.5g (0.37 oz)
- \* Rib Type Only & One Side Flange

## P & Q CURVE (AT RATED VOLTAGE)



## MOUNTING PANEL CUTOUT

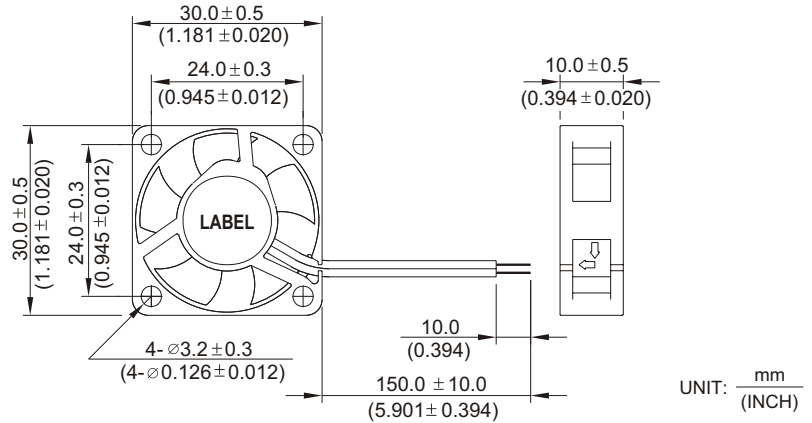


| MODEL       |             | Rated Voltage | Operating Voltage Range | Rated Current | Rated Input Power | Speed  | Maximum Air Flow    |      | Maximum Air Pressure |                     | Noise |
|-------------|-------------|---------------|-------------------------|---------------|-------------------|--------|---------------------|------|----------------------|---------------------|-------|
| PART NO.    | FUNCTION    | VDC           | VDC                     | Amp           | Watt              | R.P.M. | m <sup>3</sup> /min | CFM  | mmH <sub>2</sub> O   | IN H <sub>2</sub> O | dB-A  |
| AFB02505LA  | -R00 / -F00 | 5             | 4.0 to 6.0              | 0.04          | 0.20              | 5000   | 0.024               | 0.85 | 1.15                 | 0.045               | 18.0  |
| AFB02505MA  | -R00 / -F00 | 5             | 4.0 to 6.0              | 0.06          | 0.30              | 7000   | 0.034               | 1.20 | 2.18                 | 0.085               | 20.0  |
| AFB02512MA  | -R00 / -F00 | 12            | 9.5 to 13.2             | 0.04          | 0.48              |        |                     |      |                      |                     |       |
| AFB02505HA  | -R00 / -F00 | 5             | 4.0 to 6.0              | 0.12          | 0.60              | 10000  | 0.052               | 1.84 | 4.48                 | 0.176               | 23.5  |
| AFB02512HA  | -R00 / -F00 | 12            | 7.0 to 13.2             | 0.06          | 0.72              |        |                     |      |                      |                     |       |
| AFB02505HHA | -R00 / -F00 | 5             | 4.0 to 6.0              | 0.16          | 0.80              | 13000  | 0.068               | 2.40 | 7.65                 | 0.300               | 28.0  |
| AFB02512HHA | -R00 / -F00 | 12            | 7.0 to 13.2             | 0.08          | 0.96              |        |                     |      |                      |                     |       |

\* Function type is optional.  
 \* The max. air flow and the speed are measured in free air ; max. air pressure is measured at zero air flow.  
 \* Noise is measured in anechoic chamber in free air, one meter from intake side.  
 \* All readings are typical values at rated voltage.  
 \* Specifications are subject to change without notice.

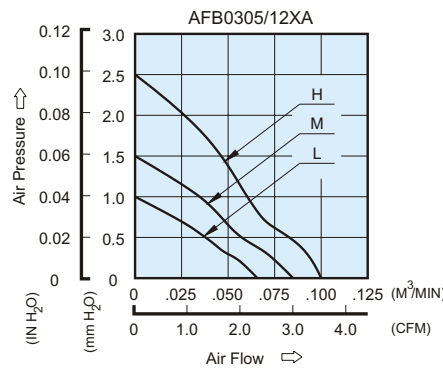
# AFB 30 x 30 x 10 MM SERIES

## DIMENSIONS DRAWING

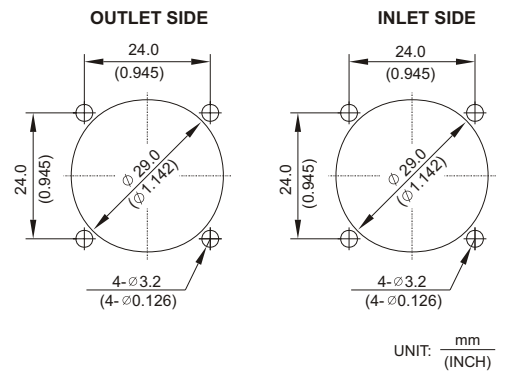


- \* Bearing Type  
Ball Bearings
- \* Material  
Impeller & Frame : Plastic (UL 94V-0)
- \* Lead Wires :  
UL 1061 AWG #26 OR Equivalent  
Red Wire Positive (+)  
Black Wire Negative (-)
- \* Weight : 10.5g (0.37 oz)
- \* Rib Type Only

## P & Q CURVE (AT RATED VOLTAGE)



## MOUNTING PANEL CUTOUT

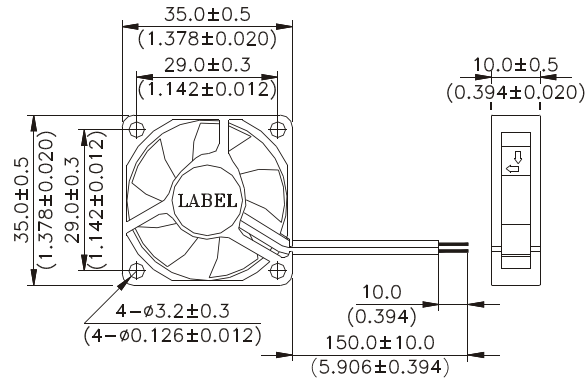


| MODEL     |             | Rated Voltage | Operating Voltage Range | Rated Current | Rated Input Power | Speed  | Maximum Air Flow    |      | Maximum Air Pressure |                     | Noise |
|-----------|-------------|---------------|-------------------------|---------------|-------------------|--------|---------------------|------|----------------------|---------------------|-------|
| PART NO.  | FUNCTION    | VDC           | VDC                     | Amp           | Watt              | R.P.M. | m <sup>3</sup> /min | CFM  | mmH <sub>2</sub> O   | IN H <sub>2</sub> O | dB-A  |
| AFB0305LA | -R00 / -F00 | 5             | 4.0 to 6.0              | 0.07          | 0.35              | 6000   | 0.067               | 2.37 | 1.00                 | 0.040               | 17.5  |
| AFB0312LA | -R00 / -F00 | 12            | 9.5 to 13.8             | 0.05          | 0.60              |        |                     |      |                      |                     |       |
| AFB0305MA | -R00 / -F00 | 5             | 4.0 to 6.0              | 0.11          | 0.55              | 7500   | 0.085               | 3.00 | 1.50                 | 0.060               | 20.0  |
| AFB0312MA | -R00 / -F00 | 12            | 9.5 to 13.8             | 0.07          | 0.84              |        |                     |      |                      |                     |       |
| AFB0305HA | -R00 / -F00 | 5             | 4.0 to 6.0              | 0.16          | 0.80              | 9000   | 0.100               | 3.53 | 2.50                 | 0.100               | 25.0  |
| AFB0312HA | -R00 / -F00 | 12            | 9.5 to 13.8             | 0.09          | 1.08              |        |                     |      |                      |                     |       |

- \* Function type is optional.
- \* The max. air flow and the speed are measured in free air ; max. air pressure is measured at zero air flow.
- \* Noise is measured in anechoic chamber in free air, one meter from intake side.
- \* All readings are typical values at rated voltage.
- \* Specifications are subject to change without notice.

# AFB 35 x 35 x 10 MM SERIES

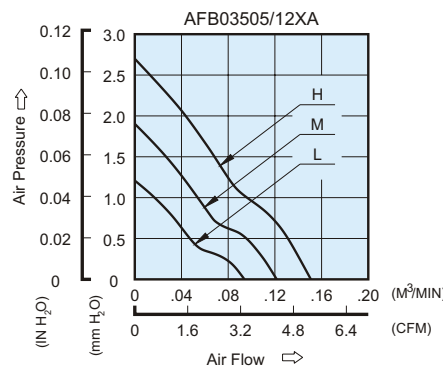
## DIMENSIONS DRAWING



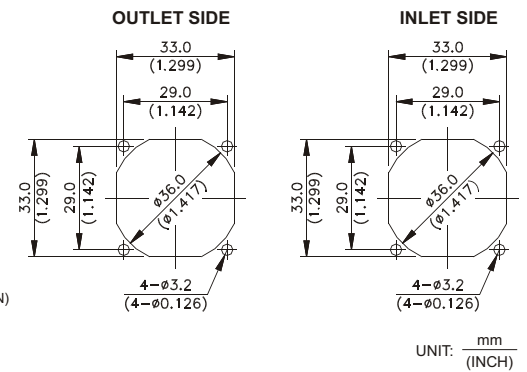
UNIT:  $\frac{\text{mm}}{\text{(INCH)}}$

- \* Bearing Type  
Ball Bearings
- \* Material  
Impeller & Frame : Plastic (UL 94V-0)
- \* Lead Wires :  
UL 1061 AWG #26 OR Equivalent  
Red Wire Positive (+)  
Black Wire Negative (-)
- \* Weight : 10g (0.35 oz)
- \* Rib Type Only

## P & Q CURVE (AT RATED VOLTAGE)



## MOUNTING PANEL CUTOUT



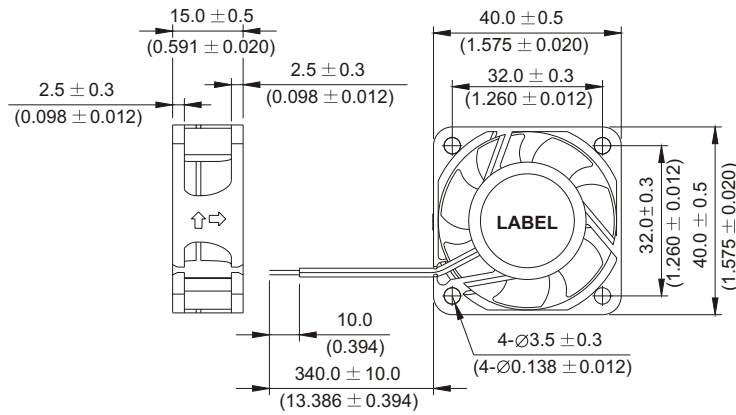
UNIT:  $\frac{\text{mm}}{\text{(INCH)}}$

| MODEL      |             | Rated Voltage | Operating Voltage Range | Rated Current | Rated Input Power | Speed  | Maximum Air Flow    |      | Maximum Air Pressure |                     | Noise |
|------------|-------------|---------------|-------------------------|---------------|-------------------|--------|---------------------|------|----------------------|---------------------|-------|
| PART NO.   | FUNCTION    | VDC           | VDC                     | Amp           | Watt              | R.P.M. | m <sup>3</sup> /min | CFM  | mmH <sub>2</sub> O   | IN H <sub>2</sub> O | dB-A  |
| AFB03505LA | -R00 / -F00 | 5             | 4.0 to 6.0              | 0.06          | 0.30              | 4500   | 0.095               | 3.36 | 1.21                 | 0.048               | 15.0  |
| AFB03505MA | -R00 / -F00 | 5             | 4.0 to 6.0              | 0.10          | 0.50              | 5800   | 0.127               | 4.50 | 1.90                 | 0.075               | 18.0  |
| AFB03512MA | -R00 / -F00 | 12            | 9.5 to 13.8             | 0.05          | 0.60              |        |                     |      |                      |                     |       |
| AFB03505HA | -R00 / -F00 | 5             | 4.0 to 6.0              | 0.14          | 0.70              | 7000   | 0.156               | 5.50 | 2.70                 | 0.106               | 22.0  |
| AFB03512HA | -R00 / -F00 | 12            | 9.5 to 13.8             | 0.09          | 1.08              |        |                     |      |                      |                     |       |

\* Function type is optional.  
 \* The max. air flow and the speed are measured in free air ; max. air pressure is measured at zero air flow.  
 \* Noise is measured in anechoic chamber in free air, one meter from intake side.  
 \* All readings are typical values at rated voltage.  
 \* Specifications are subject to change without notice.

# AFB 40 x 40 x 15 MM SERIES

## DIMENSIONS DRAWING

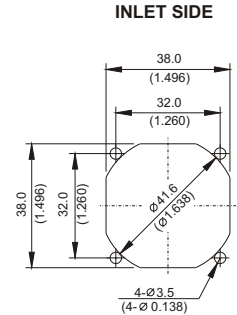
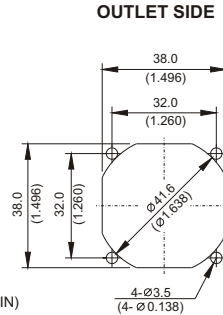
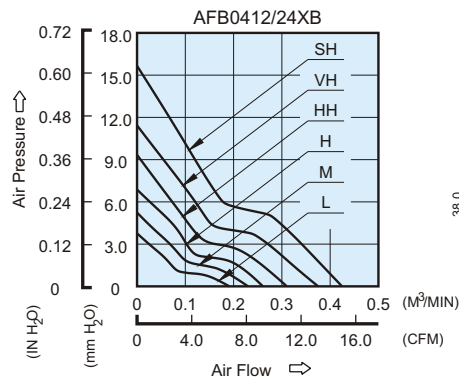


UNIT:  $\frac{\text{mm}}{\text{(INCH)}}$

- \* Bearing Type  
Ball Bearings
- \* Material  
Impeller & Frame : Plastic(UL 94V-0)
- \* Lead Wires :  
UL 1007 AWG #24 OR Equivalent  
Red Wire Positive(+)  
Black Wire Negative(-)
- \* Weight : 25.0g (0.88 OZ)  
Rib Type Only

## P & Q CURVE (AT RATED VOLTAGE)

## MOUNTING PANEL CUTOUT



UNIT:  $\frac{\text{mm}}{\text{(INCH)}}$

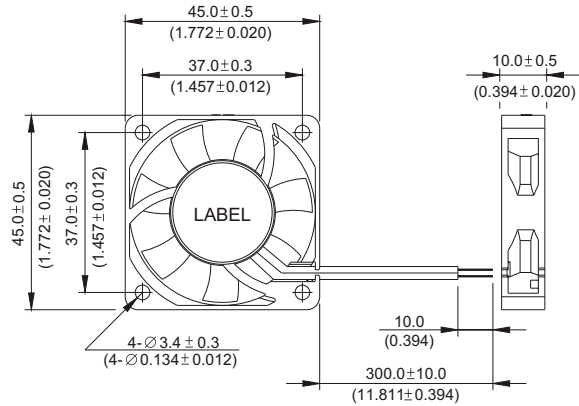
| MODEL      |             | Rated Voltage | Operating Voltage Range | Rated Current | Rated Input Power | Speed  | Maximum Air Flow    |       | Maximum Air Pressure |                     | Noise |
|------------|-------------|---------------|-------------------------|---------------|-------------------|--------|---------------------|-------|----------------------|---------------------|-------|
| PART NO.   | FUNCTION    | VDC           | VDC                     | Amp           | Watt              | R.P.M. | m <sup>3</sup> /min | CFM   | mmH <sub>2</sub> O   | IN H <sub>2</sub> O | dB-A  |
| AFB0412LB  | -R00 / -F00 | 12            | 7.0 to 13.8             | 0.06          | 0.72              | 5000   | 0.184               | 6.50  | 3.67                 | 0.144               | 18.5  |
| AFB0424LB  | -R00 / -F00 | 24            | 14.0 to 27.6            | 0.05          | 1.20              |        |                     |       |                      |                     |       |
| AFB0412MB  | -R00 / -F00 | 12            | 7.0 to 13.8             | 0.09          | 1.08              | 6000   | 0.230               | 8.12  | 5.12                 | 0.202               | 24.5  |
| AFB0424MB  | -R00 / -F00 | 24            | 14.0 to 27.6            | 0.06          | 1.44              |        |                     |       |                      |                     |       |
| AFB0412HB  | -R00 / -F00 | 12            | 7.0 to 13.8             | 0.10          | 1.20              | 7000   | 0.268               | 9.46  | 6.92                 | 0.272               | 28.5  |
| AFB0424HB  | -R00 / -F00 | 24            | 14.0 to 27.6            | 0.08          | 1.92              |        |                     |       |                      |                     |       |
| AFB0412HHB | -R00 / -F00 | 12            | 7.0 to 13.8             | 0.13          | 1.56              | 8300   | 0.325               | 11.48 | 9.13                 | 0.359               | 32.0  |
| AFB0424HHB | -R00 / -F00 | 24            | 14.0 to 27.6            | 0.09          | 2.16              |        |                     |       |                      |                     |       |
| AFB0412VHB | -R00 / -F00 | 12            | 7.0 to 13.8             | 0.16          | 1.92              | 9500   | 0.368               | 13.00 | 11.66                | 0.459               | 36.5  |
| AFB0424VHB | -R00 / -F00 | 24            | 14.0 to 27.6            | 0.10          | 2.40              |        |                     |       |                      |                     |       |
| AFB0412SHB | -R00 / -F00 | 12            | 7.0 to 13.8             | 0.25          | 3.00              | 11000  | 0.420               | 14.83 | 15.26                | 0.601               | 41.5  |
| AFB0424SHB | -R00 / -F00 | 24            | 14.0 to 27.6            | 0.12          | 2.88              |        |                     |       |                      |                     |       |

\* Function type is optional.  
 \* The max. air flow and the speed are measured in free air ; max. air pressure is measured at zero air flow.  
 \* Noise is measured in anechoic chamber in free air, one meter from intake side.  
 \* All readings are typical values at rated voltage.  
 \* Specifications are subject to change without notice.



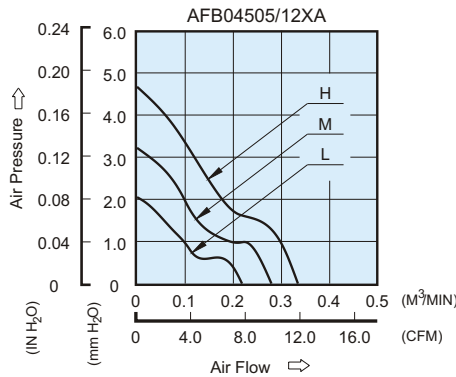
# AFB 45 x 45 x 10 MM SERIES

## DIMENSIONS DRAWING

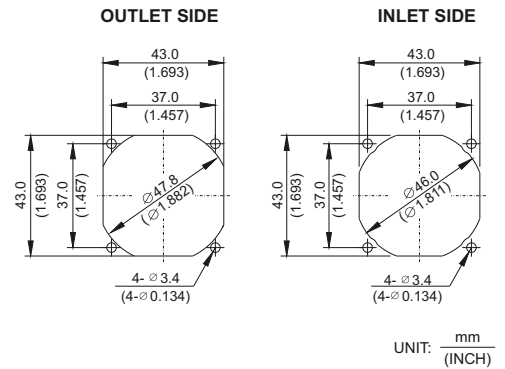


- \* Bearing Type  
Ball Bearings
- \* Material  
Impeller & Frame : Plastic(UL 94V-0)
- \* Lead Wires :  
UL 1007 AWG #28 OR Equivalent  
Red Wire Positive(+)  
Black Wire Negative(-)
- \* Weight : 15.5g (0.55 OZ)
- \* Rib Type Only

## P & Q CURVE (AT RATED VOLTAGE)



## MOUNTING PANEL CUTOUT



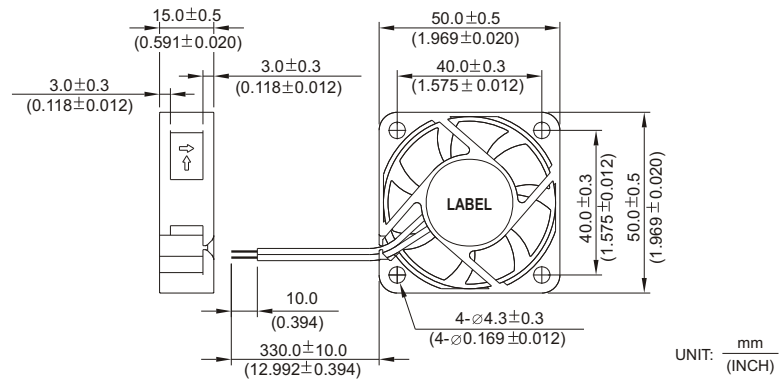
UNIT:  $\frac{\text{mm}}{\text{(INCH)}}$

| MODEL      |             | Rated Voltage | Operating Voltage Range | Rated Current | Rated Input Power | Speed  | Maximum Air Flow    |       | Maximum Air Pressure |                     | Noise |
|------------|-------------|---------------|-------------------------|---------------|-------------------|--------|---------------------|-------|----------------------|---------------------|-------|
| PART NO.   | FUNCTION    | VDC           | VDC                     | Amp           | Watt              | R.P.M. | m <sup>3</sup> /min | CFM   | mmH <sub>2</sub> O   | IN H <sub>2</sub> O | dB-A  |
| AFB04505LA | -R00 / -F00 | 5             | 4.0 to 5.5              | 0.14          | 0.70              | 4000   | 0.218               | 7.70  | 2.05                 | 0.081               | 24.5  |
| AFB04512LA | -R00 / -F00 | 12            | 9.0 to 13.8             | 0.08          | 0.96              |        |                     |       |                      |                     |       |
| AFB04505MA | -R00 / -F00 | 5             | 4.0 to 5.5              | 0.20          | 1.00              | 5000   | 0.279               | 9.85  | 3.22                 | 0.127               | 30.0  |
| AFB04512MA | -R00 / -F00 | 12            | 7.0 to 13.8             | 0.11          | 1.32              |        |                     |       |                      |                     |       |
| AFB04512HA | -R00 / -F00 | 12            | 7.0 to 13.8             | 0.17          | 2.04              | 6000   | 0.334               | 11.80 | 4.67                 | 0.184               | 34.5  |

\* Function type is optional.  
 \* The max. air flow and the speed are measured in free air ; max. air pressure is measured at zero air flow.  
 \* Noise is measured in anechoic chamber in free air, one meter from intake side.  
 \* All readings are typical values at rated voltage.  
 \* Specifications are subject to change without notice.

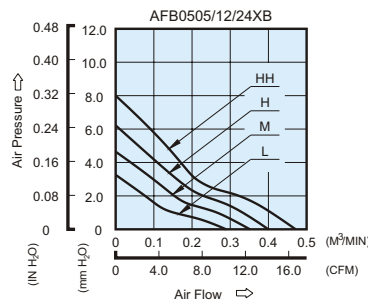
# AFB 50 x 50 x 15 MM SERIES

## DIMENSIONS DRAWING

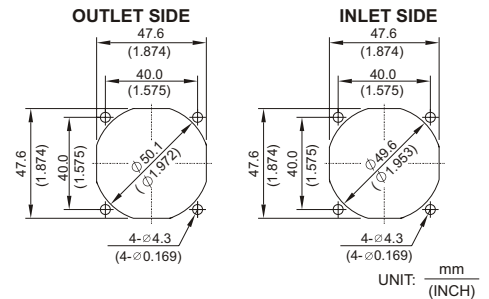


- \* Bearing Type  
Ball Bearings
- \* Material  
Impeller & Frame : Plastic (UL 94V-0)
- \* Lead Wires :  
UL 1007 AWG #24 OR Equivalent  
Red Wire Positive (+)  
Black Wire Negative (-)
- \* Weight : 32g (1.13 oz)
- \* Rib Type Only

## P & Q CURVE (AT RATED VOLTAGE)



## MOUNTING PANEL CUTOUT

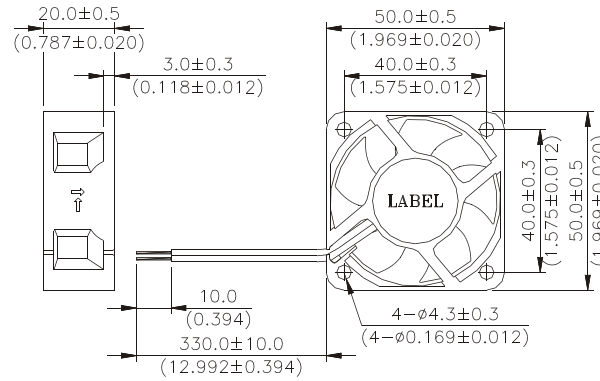


| MODEL      |             | Rated Voltage | Operating Voltage Range | Rated Current | Rated Input Power | Speed  | Maximum Air Flow     |       | Maximum Air Pressure |                     | Noise |
|------------|-------------|---------------|-------------------------|---------------|-------------------|--------|----------------------|-------|----------------------|---------------------|-------|
| PART NO.   | FUNCTION    | VDC           | VDC                     | Amp           | Watt              | R.P.M. | m <sup>3</sup> / min | CFM   | mmH <sub>2</sub> O   | IN H <sub>2</sub> O | dB-A  |
| AFB0505LB  | -R00 / -F00 | 5             | 4.5 to 5.5              | 0.15          | 0.75              | 4000   | 0.280                | 9.89  | 3.20                 | 0.126               | 24.0  |
| AFB0512LB  | -R00 / -F00 | 12            | 7.0 to 13.8             | 0.06          | 0.72              |        |                      |       |                      |                     |       |
| AFB0524LB  | -R00 / -F00 | 24            | 14.0 to 27.6            | 0.05          | 1.20              |        |                      |       |                      |                     |       |
| AFB0505MB  | -R00 / -F00 | 5             | 4.5 to 5.5              | 0.22          | 1.10              | 4800   | 0.350                | 12.36 | 4.60                 | 0.181               | 28.0  |
| AFB0512MB  | -R00 / -F00 | 12            | 7.0 to 13.8             | 0.08          | 0.96              |        |                      |       |                      |                     |       |
| AFB0524MB  | -R00 / -F00 | 24            | 14.0 to 27.6            | 0.06          | 1.44              |        |                      |       |                      |                     |       |
| AFB0505HB  | -R00 / -F00 | 5             | 4.5 to 5.5              | 0.32          | 1.60              | 5600   | 0.400                | 14.13 | 6.10                 | 0.240               | 32.0  |
| AFB0512HB  | -R00 / -F00 | 12            | 7.0 to 13.8             | 0.10          | 1.20              |        |                      |       |                      |                     |       |
| AFB0524HB  | -R00 / -F00 | 24            | 14.0 to 27.6            | 0.07          | 1.68              |        |                      |       |                      |                     |       |
| AFB0512HHB | -R00 / -F00 | 12            | 7.0 to 13.8             | 0.13          | 1.56              | 6400   | 0.460                | 16.24 | 8.00                 | 0.315               | 36.0  |
| AFB0524HHB | -R00 / -F00 | 24            | 14.0 to 27.6            | 0.08          | 1.92              |        |                      |       |                      |                     |       |

\* Function type is optional.  
 \* The max. air flow and the speed are measured in free air ; max. air pressure is measured at zero air flow.  
 \* Noise is measured in anechoic chamber in free air, one meter from intake side.  
 \* All readings are typical values at rated voltage.  
 \* Specifications are subject to change without notice.  
 \* Both of the ball bearing and the 1 ball + 1 sleeve type are available.

# AFB 50 x 50 x 20 MM SERIES

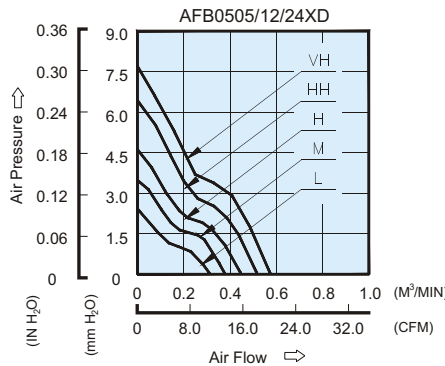
## DIMENSIONS DRAWING



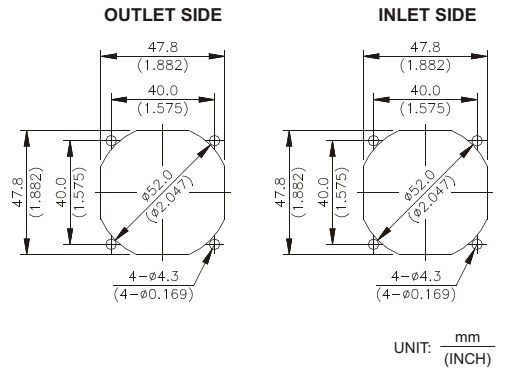
UNIT:  $\frac{\text{mm}}{\text{(INCH)}}$

- \* Bearing Type  
Two Ball Bearings
- \* Material  
Impeller & Frame : Plastic (UL 94V-0)
- \* Lead Wires :  
UL 1007 AWG #24 OR Equivalent  
Red Wire Positive (+)  
Black Wire Negative (-)
- \* Weight : 38g (1.34 oz)
- \* Rib Type Only

## P & Q CURVE (AT RATED VOLTAGE)



## MOUNTING PANEL CUTOUT



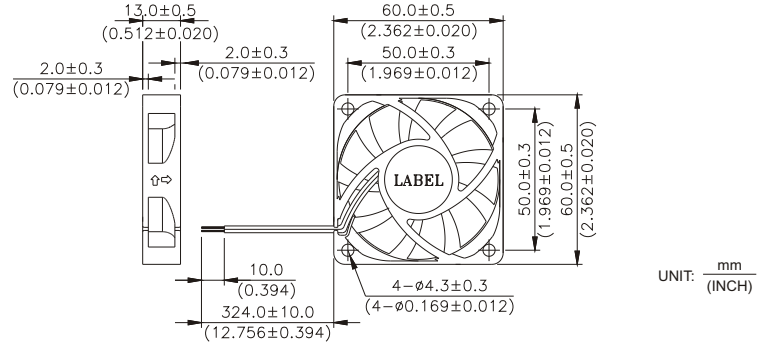
UNIT:  $\frac{\text{mm}}{\text{(INCH)}}$

| MODEL      |             | Rated Voltage | Operating Voltage Range | Rated Current | Rated Input Power | Speed  | Maximum Air Flow    |       | Maximum Air Pressure |                     | Noise |
|------------|-------------|---------------|-------------------------|---------------|-------------------|--------|---------------------|-------|----------------------|---------------------|-------|
| PART NO.   | FUNCTION    | VDC           | VDC                     | Amp           | Watt              | R.P.M. | m <sup>3</sup> /min | CFM   | mmH <sub>2</sub> O   | IN H <sub>2</sub> O | dB-A  |
| AFB0505LD  | -R00 / -F00 | 5             | 4.5 to 5.5              | 0.14          | 0.70              | 4000   | 0.311               | 10.98 | 2.42                 | 0.095               | 25.0  |
| AFB0512LD  | -R00 / -F00 | 12            | 7.0 to 13.8             | 0.06          | 0.72              |        |                     |       |                      |                     |       |
| AFB0524LD  | -R00 / -F00 | 24            | 14.0 to 27.6            | 0.05          | 1.20              |        |                     |       |                      |                     |       |
| AFB0505MD  | -R00 / -F00 | 5             | 4.5 to 5.5              | 0.20          | 1.00              | 4800   | 0.379               | 13.39 | 3.48                 | 0.137               | 28.0  |
| AFB0512MD  | -R00 / -F00 | 12            | 7.0 to 13.8             | 0.07          | 0.84              |        |                     |       |                      |                     |       |
| AFB0524MD  | -R00 / -F00 | 24            | 14.0 to 27.6            | 0.06          | 1.44              |        |                     |       |                      |                     |       |
| AFB0505HD  | -R00 / -F00 | 5             | 4.5 to 5.5              | 0.33          | 1.65              | 5600   | 0.447               | 15.79 | 4.62                 | 0.182               | 33.0  |
| AFB0512HD  | -R00 / -F00 | 12            | 7.0 to 13.8             | 0.10          | 1.20              |        |                     |       |                      |                     |       |
| AFB0524HD  | -R00 / -F00 | 24            | 14.0 to 27.6            | 0.07          | 1.68              |        |                     |       |                      |                     |       |
| AFB0512HHD | -R00 / -F00 | 12            | 7.0 to 13.8             | 0.14          | 1.68              | 6400   | 0.518               | 18.30 | 6.44                 | 0.254               | 37.0  |
| AFB0524HHD | -R00 / -F00 | 24            | 14.0 to 27.6            | 0.09          | 2.16              |        |                     |       |                      |                     |       |
| AFB0512VHD | -R00 / -F00 | 12            | 7.0 to 13.8             | 0.16          | 1.92              | 7000   | 0.575               | 20.30 | 7.70                 | 0.303               | 40.5  |
| AFB0524VHD | -R00 / -F00 | 24            | 14.0 to 27.6            | 0.10          | 2.40              |        |                     |       |                      |                     |       |

\* Function type is optional.  
 \* The max. air flow and the speed are measured in free air ; max. air pressure is measured at zero air flow.  
 \* Noise is measured in anechoic chamber in free air, one meter from intake side.  
 \* All readings are typical values at rated voltage.  
 \* Specifications are subject to change without notice.

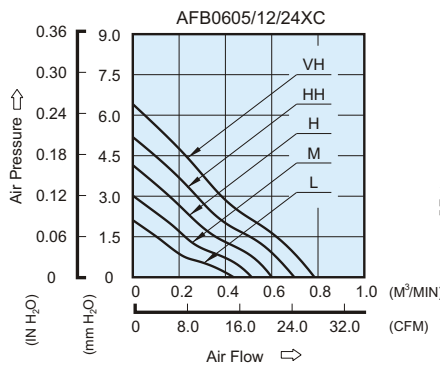
# AFB 60 x 60 x 13 MM SERIES

## DIMENSIONS DRAWING

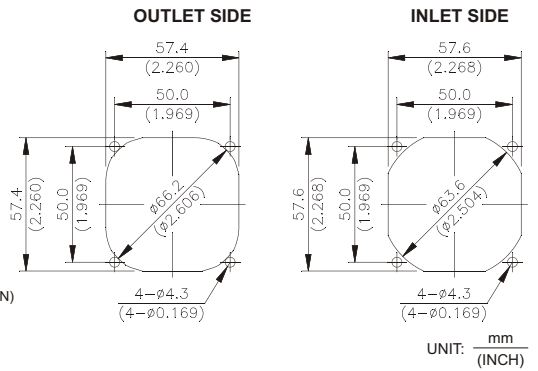


- \* Bearing Type : Ball Bearings
- \* Material : Impeller & Frame : Plastic(UL 94V-0)
- \* Lead Wires : UL 2468 AWG #28 OR Equivalent  
Red Wire Positive(+)  
Black Wire Negative(-)
- \* Weight : 33.5g (1.18 OZ)
- \* Rib Type Only

## P & Q CURVE (AT RATED VOLTAGE)



## MOUNTING PANEL CUTOUT

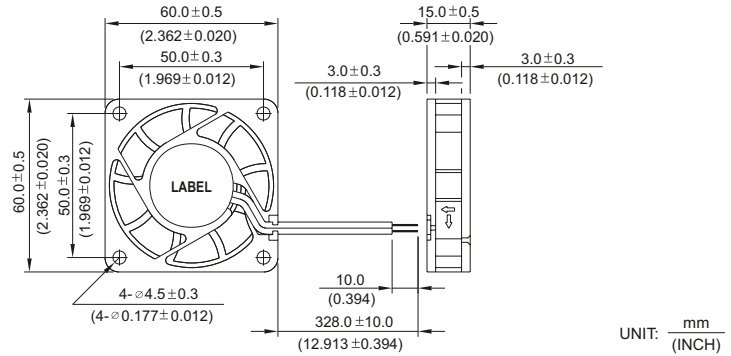


| MODEL      |             | Rated Voltage | Operating Voltage Range | Rated Current | Rated Input Power | Speed  | Maximum Air Flow    |       | Maximum Air Pressure |                     | Noise |
|------------|-------------|---------------|-------------------------|---------------|-------------------|--------|---------------------|-------|----------------------|---------------------|-------|
| PART NO.   | FUNCTION    | VDC           | VDC                     | Amp           | Watt              | R.P.M. | m <sup>3</sup> /min | CFM   | mmH <sub>2</sub> O   | IN H <sub>2</sub> O | dB-A  |
| AFB0605LC  | -R00 / -F00 | 5             | 4.5 to 5.5              | 0.12          | 0.60              | 3000   | 0.436               | 15.40 | 2.11                 | 0.083               | 24.0  |
| AFB0612LC  | -R00 / -F00 | 12            | 7.0 to 13.8             | 0.08          | 0.96              |        |                     |       |                      |                     |       |
| AFB0624LC  | -R00 / -F00 | 24            | 14.0 to 27.6            | 0.05          | 1.20              |        |                     |       |                      |                     |       |
| AFB0605MC  | -R00 / -F00 | 5             | 4.5 to 5.5              | 0.18          | 0.90              | 3600   | 0.514               | 18.15 | 3.02                 | 0.119               | 28.0  |
| AFB0612MC  | -R00 / -F00 | 12            | 7.0 to 13.8             | 0.11          | 1.32              |        |                     |       |                      |                     |       |
| AFB0624MC  | -R00 / -F00 | 24            | 14.0 to 27.6            | 0.06          | 1.44              |        |                     |       |                      |                     |       |
| AFB0605HC  | -R00 / -F00 | 5             | 4.5 to 5.5              | 0.29          | 1.45              | 4200   | 0.601               | 21.22 | 4.15                 | 0.163               | 31.5  |
| AFB0612HC  | -R00 / -F00 | 12            | 7.0 to 13.8             | 0.14          | 1.68              |        |                     |       |                      |                     |       |
| AFB0624HC  | -R00 / -F00 | 24            | 14.0 to 27.6            | 0.07          | 1.68              |        |                     |       |                      |                     |       |
| AFB0612HHC | -R00 / -F00 | 12            | 7.0 to 13.8             | 0.20          | 2.40              | 4800   | 0.698               | 24.65 | 5.19                 | 0.204               | 35.0  |
| AFB0624HHC | -R00 / -F00 | 24            | 14.0 to 27.6            | 0.09          | 2.16              |        |                     |       |                      |                     |       |
| AFB0612VHC | -R00 / -F00 | 12            | 7.0 to 13.8             | 0.24          | 2.88              | 5400   | 0.785               | 27.72 | 6.41                 | 0.252               | 38.0  |
| AFB0624VHC | -R00 / -F00 | 24            | 14.0 to 27.6            | 0.12          | 2.88              |        |                     |       |                      |                     |       |

\* Function type is optional.  
 \* The max. air flow and the speed are measured in free air ; max. air pressure is measured at zero air flow.  
 \* Noise is measured in anechoic chamber in free air, one meter from intake side.  
 \* All readings are typical values at rated voltage.  
 \* Specifications are subject to change without notice.  
 \* Both of the ball bearing and the 1 ball + 1 Sleeve type are available.

# AFB 60 x 60 x 15 MM SERIES

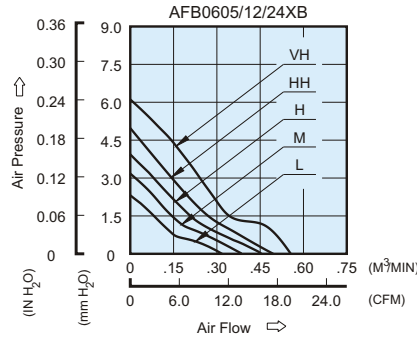
## DIMENSIONS DRAWING



UNIT:  $\frac{\text{mm}}{\text{(INCH)}}$

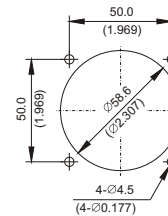
- \* Bearing Type  
Ball Bearings
- \* Material  
Impeller & Frame : Plastic (UL 94V-0)
- \* Lead Wires :  
UL 1007 AWG #24 OR Equivalent  
Red Wire Positive (+)  
Black Wire Negative (-)
- \* Weight : 44g (1.55 oz)
- \* Rib Type Only

## P & Q CURVE (AT RATED VOLTAGE)

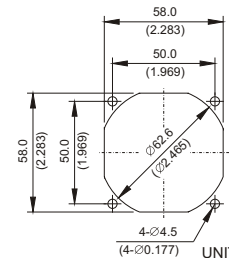


## MOUNTING PANEL CUTOUT

### OUTLET SIDE



### INLET SIDE



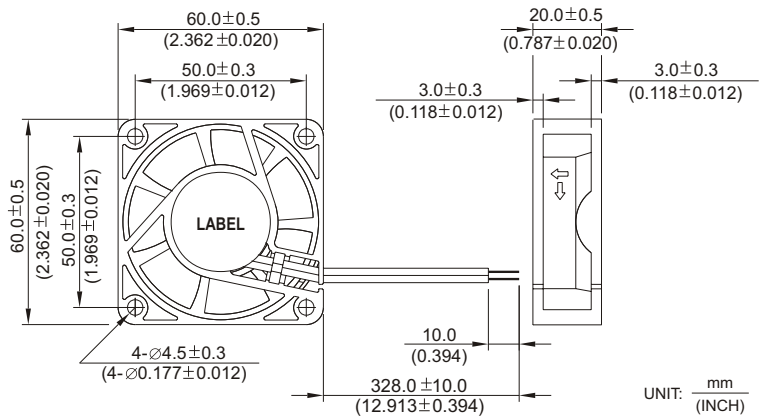
UNIT:  $\frac{\text{mm}}{\text{(INCH)}}$

| MODEL      |             | Rated Voltage | Operating Voltage Range | Rated Current | Rated Input Power | Speed  | Maximum Air Flow    |       | Maximum Air Pressure |                     | Noise |
|------------|-------------|---------------|-------------------------|---------------|-------------------|--------|---------------------|-------|----------------------|---------------------|-------|
| PART NO.   | FUNCTION    | VDC           | VDC                     | Amp           | Watt              | R.P.M. | m <sup>3</sup> /min | CFM   | mmH <sub>2</sub> O   | IN H <sub>2</sub> O | dB-A  |
| AFB0605LB  | / -F00      | 5             | 4.0 to 6.0              | 0.13          | 0.65              | 3000   | 0.327               | 11.55 | 2.21                 | 0.087               | 24.0  |
| AFB0612LB  | -R00 / -F00 | 12            | 7.0 to 13.8             | 0.07          | 0.84              |        |                     |       |                      |                     |       |
| AFB0624LB  | -R00 / -F00 | 24            | 14.0 to 27.6            | 0.04          | 0.96              |        |                     |       |                      |                     |       |
| AFB0605MB  | / -F00      | 5             | 4.0 to 6.0              | 0.20          | 1.00              | 3500   | 0.381               | 13.45 | 3.01                 | 0.119               | 29.0  |
| AFB0612MB  | -R00 / -F00 | 12            | 7.0 to 13.8             | 0.08          | 0.96              |        |                     |       |                      |                     |       |
| AFB0624MB  | -R00 / -F00 | 24            | 14.0 to 27.6            | 0.06          | 1.44              |        |                     |       |                      |                     |       |
| AFB0605HB  | / -F00      | 5             | 4.0 to 6.0              | 0.30          | 1.50              | 4000   | 0.435               | 15.36 | 3.93                 | 0.155               | 32.0  |
| AFB0612HB  | -R00 / -F00 | 12            | 7.0 to 13.8             | 0.10          | 1.20              |        |                     |       |                      |                     |       |
| AFB0624HB  | -R00 / -F00 | 24            | 14.0 to 27.6            | 0.08          | 1.92              |        |                     |       |                      |                     |       |
| AFB0605HMB | / -F00      | 5             | 4.0 to 6.0              | 0.40          | 2.00              | 4500   | 0.490               | 17.30 | 4.97                 | 0.195               | 35.0  |
| AFB0612HMB | -R00 / -F00 | 12            | 7.0 to 13.8             | 0.12          | 1.44              |        |                     |       |                      |                     |       |
| AFB0624HMB | -R00 / -F00 | 24            | 14.0 to 27.6            | 0.10          | 2.40              |        |                     |       |                      |                     |       |
| AFB0612VHB | -R00 / -F00 | 12            | 7.0 to 13.8             | 0.16          | 1.92              | 5000   | 0.550               | 19.42 | 6.10                 | 0.240               | 37.0  |
| AFB0624VHB | -R00 / -F00 | 24            | 14.0 to 27.6            | 0.11          | 2.64              |        |                     |       |                      |                     |       |

\* Function type is optional.  
 \* The max. air flow and the speed are measured in free air ; max. air pressure is measured at zero air flow.  
 \* Noise is measured in anechoic chamber in free air, one meter from intake side.  
 \* All readings are typical values at rated voltage.  
 \* Specifications are subject to change without notice.  
 \* Both of the ball bearing and the 1 ball + 1 Sleeve type are available.

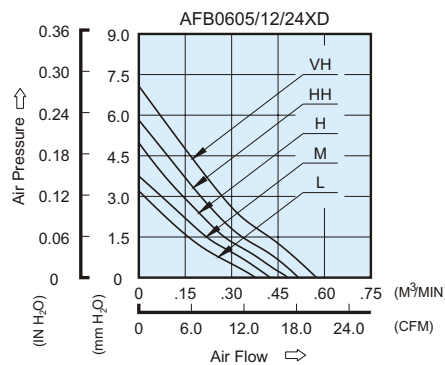
# AFB 60 x 60 x 20 MM SERIES

## DIMENSIONS DRAWING

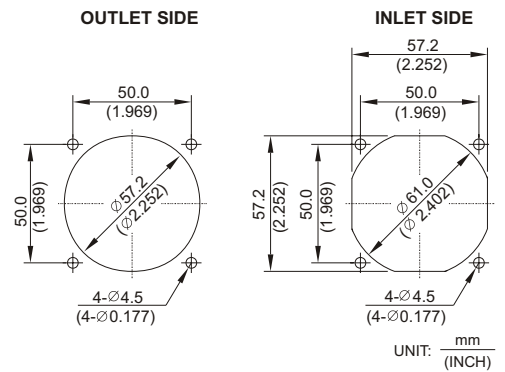


- \* Bearing Type  
Ball Bearings
- \* Material  
Impeller & Frame : Plastic (UL 94V-0)
- \* Lead Wires :  
UL 1007 AWG #24 OR Equivalent  
Red Wire Positive (+)  
Black Wire Negative (-)
- \* Weight : 62g (2.19 oz)
- \* Rib Type Only

## P & Q CURVE (AT RATED VOLTAGE)



## MOUNTING PANEL CUTOUT



| MODEL      |             | Rated Voltage | Operating Voltage Range | Rated Current | Rated Input Power | Speed  | Maximum Air Flow    |       | Maximum Air Pressure |                     | Noise |
|------------|-------------|---------------|-------------------------|---------------|-------------------|--------|---------------------|-------|----------------------|---------------------|-------|
| PART NO.   | FUNCTION    | VDC           | VDC                     | Amp           | Watt              | R.P.M. | m <sup>3</sup> /min | CFM   | mmH <sub>2</sub> O   | IN H <sub>2</sub> O | dB-A  |
| AFB0605LD  | / -F00      | 5             | 4.5 to 5.5              | 0.14          | 0.70              | 3200   | 0.370               | 13.06 | 3.03                 | 0.119               | 24.0  |
| AFB0612LD  | -R00 / -F00 | 12            | 7.0 to 13.8             | 0.07          | 0.84              |        |                     |       |                      |                     |       |
| AFB0624LD  | -R00 / -F00 | 24            | 14.0 to 27.6            | 0.03          | 0.72              |        |                     |       |                      |                     |       |
| AFB0605MD  | / -F00      | 5             | 4.5 to 5.5              | 0.19          | 0.95              | 3600   | 0.420               | 14.83 | 3.83                 | 0.151               | 26.0  |
| AFB0612MD  | -R00 / -F00 | 12            | 7.0 to 13.8             | 0.09          | 1.08              |        |                     |       |                      |                     |       |
| AFB0624MD  | -R00 / -F00 | 24            | 14.0 to 27.6            | 0.04          | 0.96              |        |                     |       |                      |                     |       |
| AFB0605HD  | / -F00      | 5             | 4.5 to 5.5              | 0.24          | 1.20              | 4000   | 0.470               | 16.60 | 4.80                 | 0.189               | 28.0  |
| AFB0612HD  | -R00 / -F00 | 12            | 7.0 to 13.8             | 0.11          | 1.32              |        |                     |       |                      |                     |       |
| AFB0624HD  | -R00 / -F00 | 24            | 14.0 to 27.6            | 0.05          | 1.20              |        |                     |       |                      |                     |       |
| AFB0605HHD | / -F00      | 5             | 4.5 to 5.5              | 0.33          | 1.65              | 4400   | 0.520               | 18.36 | 5.81                 | 0.229               | 31.0  |
| AFB0612HHD | -R00 / -F00 | 12            | 7.0 to 13.8             | 0.15          | 1.80              |        |                     |       |                      |                     |       |
| AFB0624HHD | -R00 / -F00 | 24            | 14.0 to 27.6            | 0.07          | 1.68              |        |                     |       |                      |                     |       |
| AFB0612VHD | -R00 / -F00 | 12            | 7.0 to 13.8             | 0.18          | 2.16              | 4800   | 0.560               | 19.78 | 7.00                 | 0.275               | 33.0  |
| AFB0624VHD | -R00 / -F00 | 24            | 14.0 to 27.6            | 0.09          | 2.16              |        |                     |       |                      |                     |       |

\* Function type is optional.  
 \* The max. air flow and the speed are measured in free air ; max. air pressure is measured at zero air flow.  
 \* Noise is measured in anechoic chamber in free air, one meter from intake side.  
 \* All readings are typical values at rated voltage.  
 \* Specifications are subject to change without notice.



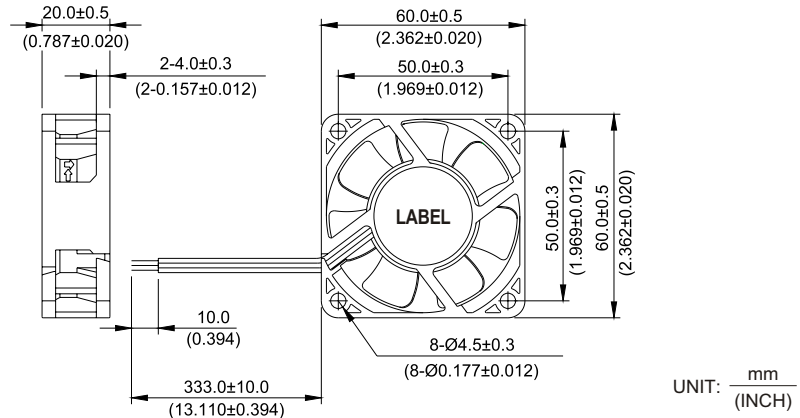
New



- \* Bearing Type  
Ball Bearings
- \* Material
- \* Impeller & Frame : Plastic (UL94V-0)
- \* Lead Wires :  
UL 1007 AWG #24 OR Equivalent  
Red Wire Positive (+)  
Black Wire Negative (-)
- \* Weight : 56g (1.98 oz)

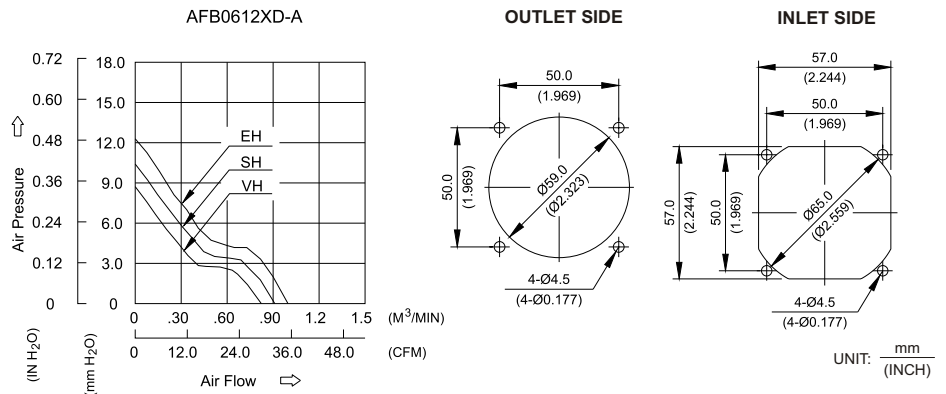
# AFB 60 x 60 x 20 MM SERIES

## DIMENSIONS DRAWING



## P & Q CURVE (AT RATED VOLTAGE)

## MOUNTING PANEL CUTOUT



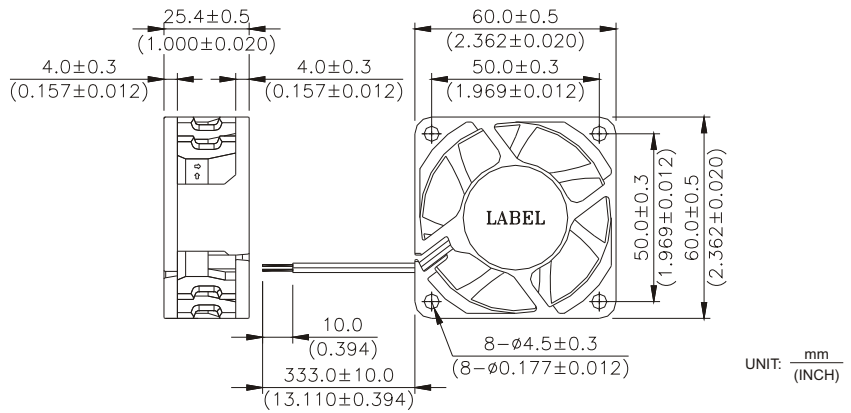
| MODEL      |      |           | Rated Voltage | Operating Voltage Range | Rated Current | Rated Input Power | Speed  | Maximum Air Flow    |       | Maximum Air Pressure |                     | Noise |
|------------|------|-----------|---------------|-------------------------|---------------|-------------------|--------|---------------------|-------|----------------------|---------------------|-------|
| PART NO.   | REV. | FUNCTION  | VDC           | VDC                     | Amp           | Watt              | R.P.M. | m <sup>3</sup> /min | CFM   | mmH <sub>2</sub> O   | IN H <sub>2</sub> O | dB-A  |
| AFB0612VHD | -A   | -R00/-F00 | 12            | 7.0 to 13.8             | 0.19          | 2.28              | 5400   | 0.823               | 29.06 | 8.72                 | 0.343               | 41.0  |
| AFB0612SHD | -A   | -R00/-F00 | 12            | 7.0 to 13.8             | 0.28          | 3.36              | 6000   | 0.911               | 32.17 | 10.41                | 0.410               | 43.0  |
| AFB0612EHD | -A   | -R00/-F00 | 12            | 7.0 to 13.8             | 0.31          | 3.72              | 6600   | 0.997               | 35.21 | 12.29                | 0.484               | 45.0  |

\* Function type is optional.  
 \* The max. air flow and the speed are measured in free air ; max. air pressure is measured at zero air flow.  
 \* Noise is measured in anechoic chamber in free air, one meter from intake side.  
 \* All readings are typical values at rated voltage.  
 \* Specifications are subject to change without notice.



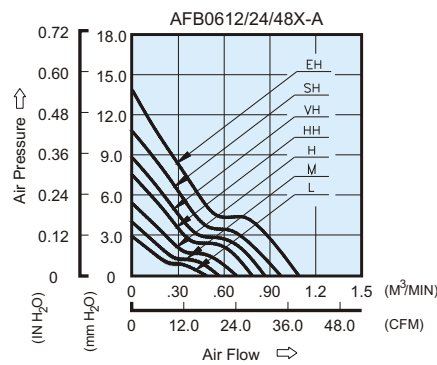
# AFB 60 x 60 x 25.4 MM SERIES

## DIMENSIONS DRAWING

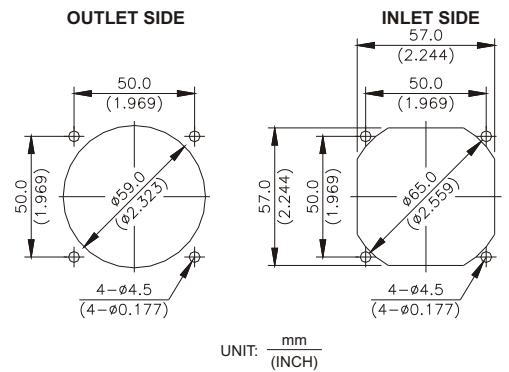


- \* Bearing Type: Ball Bearings
- \* Material: Impeller & Frame : Plastic (UL 94V-0)
- \* Lead Wires : UL 1007 AWG #24 OR Equivalent  
Red Wire Positive (+)  
Black Wire Negative (-)
- \* Weight : 80g (2.82 oz)

## P & Q CURVE (AT RATED VOLTAGE)



## MOUNTING PANEL CUTOUT



| MODEL     |      |          | Rated Voltage | Operating Voltage Range | Rated Current | Rated Input Power | Speed  | Maximum Air Flow    |       | Maximum Air Pressure |                     | Noise |
|-----------|------|----------|---------------|-------------------------|---------------|-------------------|--------|---------------------|-------|----------------------|---------------------|-------|
| PART NO.  | REV. | FUNCTION | VDC           | VDC                     | Amp           | Watt              | R.P.M. | m <sup>3</sup> /min | CFM   | mmH <sub>2</sub> O   | IN H <sub>2</sub> O | dB-A  |
| AFB0612L  | -A   | R00/F00  | 12            | 4.0 to 13.8             | 0.08          | 0.96              | 3100   | 0.476               | 16.81 | 2.86                 | 0.113               | 26.5  |
| AFB0624L  | -A   | R00/F00  | 24            | 14.0 to 27.6            | 0.06          | 1.44              |        |                     |       |                      |                     |       |
| AFB0612M  | -A   | R00/F00  | 12            | 4.0 to 13.8             | 0.13          | 1.56              | 3600   | 0.560               | 19.78 | 3.93                 | 0.155               | 31.0  |
| AFB0624M  | -A   | R00/F00  | 24            | 14.0 to 27.6            | 0.07          | 1.68              |        |                     |       |                      |                     |       |
| AFB0612H  | -A   | R00/F00  | 12            | 4.0 to 13.8             | 0.14          | 1.68              | 4250   | 0.662               | 23.38 | 5.35                 | 0.211               | 34.0  |
| AFB0624H  | -A   | R00/F00  | 24            | 14.0 to 27.6            | 0.09          | 2.16              |        |                     |       |                      |                     |       |
| AFB0612HH | -A   | R00/F00  | 12            | 4.0 to 13.8             | 0.17          | 2.04              | 5000   | 0.780               | 27.55 | 7.47                 | 0.294               | 40.0  |
| AFB0624HH | -A   | R00/F00  | 24            | 14.0 to 27.6            | 0.11          | 2.64              |        |                     |       |                      |                     |       |
| AFB0648HH | -A   | R00/F00  | 48            | 28.0 to 56.0            | 0.08          | 3.84              |        |                     |       |                      |                     |       |
| AFB0612VH | -A   | R00/F00  | 12            | 4.0 to 13.8             | 0.23          | 2.76              | 5500   | 0.863               | 30.48 | 8.76                 | 0.345               | 42.5  |
| AFB0624VH | -A   | R00/F00  | 24            | 14.0 to 27.6            | 0.14          | 3.36              |        |                     |       |                      |                     |       |
| AFB0648VH | -A   | R00/F00  | 48            | 28.0 to 56.0            | 0.09          | 4.32              | 6000   | 0.967               | 34.15 | 10.73                | 0.422               | 44.5  |
| AFB0612SH | -A   | R00/F00  | 12            | 4.0 to 13.8             | 0.27          | 3.24              |        |                     |       |                      |                     |       |
| AFB0624SH | -A   | R00/F00  | 24            | 14.0 to 27.6            | 0.17          | 4.08              |        |                     |       |                      |                     |       |
| AFB0648SH | -A   | R00/F00  | 48            | 28.0 to 56.0            | 0.11          | 5.28              | 6800   | 1.086               | 38.35 | 13.81                | 0.544               | 46.5  |
| AFB0612EH | -A   | R00/F00  | 12            | 4.0 to 13.8             | 0.38          | 4.56              |        |                     |       |                      |                     |       |
| AFB0624EH | -A   | R00/F00  | 24            | 14.0 to 27.6            | 0.24          | 5.76              |        |                     |       |                      |                     |       |
| AFB0648EH | -A   | R00/F00  | 48            | 28.0 to 56.0            | 0.14          | 6.72              |        |                     |       |                      |                     |       |

\* Function type is optional.  
 \* The max. air flow and the speed are measured in free air ; max. air pressure is measured at zero air flow.  
 \* Noise is measured in anechoic chamber in free air, one meter from intake side.  
 \* All readings are typical values at rated voltage.  
 \* Specifications are subject to change without notice.

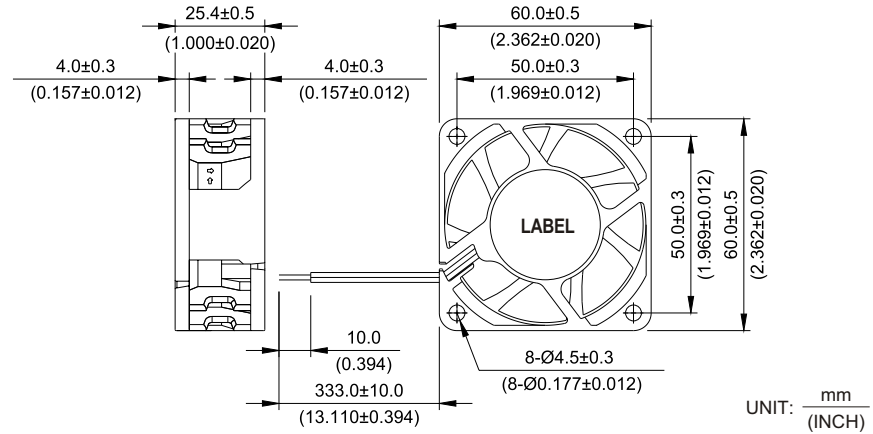
*New*



- \* Bearing Type  
Ball Bearings
- \* Material  
Impeller & Frame: Plastic (UL94V-0)
- \* Lead Wires :  
UL 1061AWG #24 OR Equivalent  
Red Wire Positive (+)  
Black Wire Negative (-)
- \* Weight : 77g (2.72 oz)

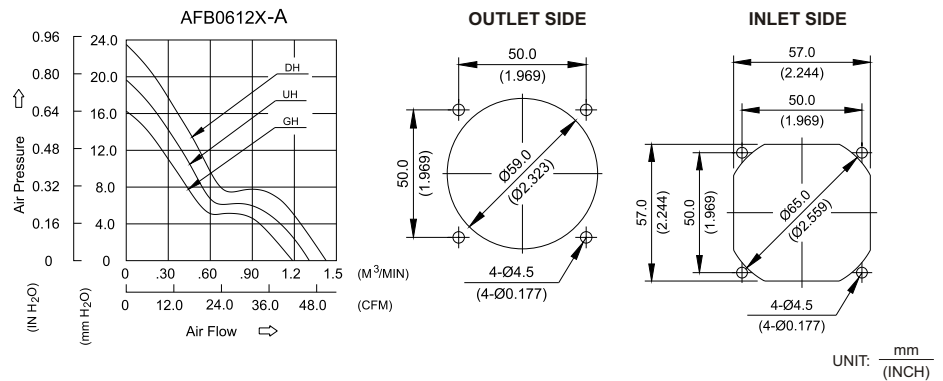
## AFB 60 x 60 x 25.4 MM SERIES

### DIMENSIONS DRAWING



### P & Q CURVE (AT RATED VOLTAGE)

### MOUNTING PANEL CUTOUT

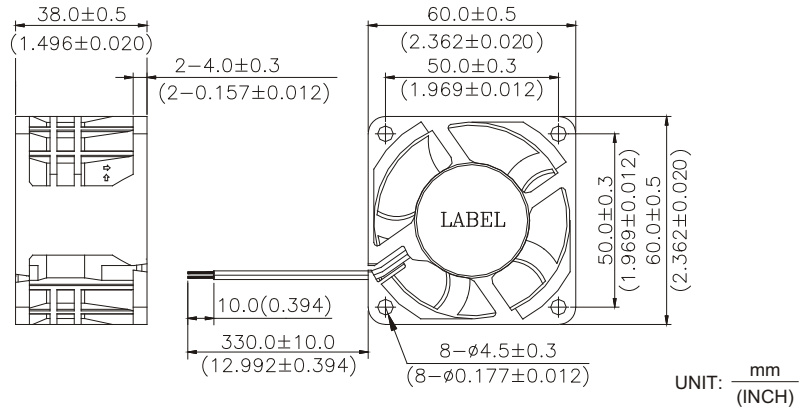


| MODEL     |      |             | Rated Voltage | Operating Voltage Range | Rated Current | Rated Input Power | Speed  | Maximum Air Flow    |       | Maximum Air Pressure |                     | Noise |
|-----------|------|-------------|---------------|-------------------------|---------------|-------------------|--------|---------------------|-------|----------------------|---------------------|-------|
| PART NO.  | REV. | FUNCTION    | VDC           | VDC                     | Amp           | Watt              | R.P.M. | m <sup>3</sup> /min | CFM   | mmH <sub>2</sub> O   | IN H <sub>2</sub> O | dB-A  |
| AFB0612GH | -A   | -R00 / -F00 | 12            | 7.0 to 13.2             | 0.55          | 6.60              | 7500   | 1.188               | 41.95 | 16.27                | 0.640               | 50.5  |
| AFB0612UH | -A   | -R00 / -F00 | 12            | 7.0 to 13.2             | 0.69          | 8.28              | 8200   | 1.307               | 46.16 | 19.66                | 0.774               | 52.5  |
| AFB0612DH | -A   | -R00 / -F00 | 12            | 7.0 to 13.2             | 0.84          | 10.08             | 9000   | 1.427               | 50.40 | 23.52                | 0.926               | 55.0  |

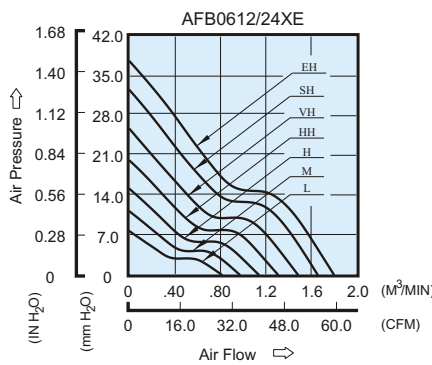
- \* Function type is optional.
- \* The max. air flow and the speed are measured in free air ; max. air pressure is measured at zero air flow.
- \* Noise is measured in anechoic chamber in free air, one meter from intake side.
- \* All readings are typical values at rated voltage.
- \* Specifications are subject to change without notice.

# AFB 60 x 60 x 38 MM SERIES

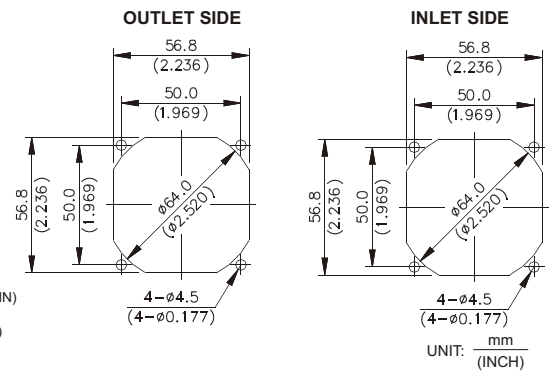
## DIMENSIONS DRAWING



## P & Q CURVE (AT RATED VOLTAGE)



## MOUNTING PANEL CUTOUT



- \* Bearing Type  
Ball Bearings
- \* Material  
Impeller & Frame : Plastic (UL 94V-0)
- \* Lead Wires :  
UL 1007 AWG #24 OR Equivalent  
Red Wire Positive (+)  
Black Wire Negative (-)
- \* Weight : 117g (4.13 oz)

| MODEL      |             | Rated Voltage | Operating Voltage Range | Rated Current | Rated Input Power | Speed  | Maximum Air Flow     |       | Maximum Air Pressure |                     | Noise |
|------------|-------------|---------------|-------------------------|---------------|-------------------|--------|----------------------|-------|----------------------|---------------------|-------|
| PART NO.   | FUNCTION    | VDC           | VDC                     | Amp           | Watt              | R.P.M. | m <sup>3</sup> / min | CFM   | mmH <sub>2</sub> O   | IN H <sub>2</sub> O | dB-A  |
| AFB0612LE  | -R00 / -F00 | 12            | 7.0 to 13.8             | 0.13          | 2.76              | 5000   | 0.816                | 28.81 | 7.76                 | 0.306               | 37.0  |
| AFB0624LE  | -R00 / -F00 | 24            | 14.0 to 27.6            | 0.23          | 3.12              |        |                      |       |                      |                     |       |
| AFB0612ME  | -R00 / -F00 | 12            | 7.0 to 13.8             | 0.33          | 3.96              | 6000   | 0.972                | 34.34 | 11.23                | 0.442               | 42.0  |
| AFB0624ME  | -R00 / -F00 | 24            | 14.0 to 27.6            | 0.18          | 4.32              |        |                      |       |                      |                     |       |
| AFB0612HE  | -R00 / -F00 | 12            | 7.0 to 13.8             | 0.45          | 5.40              | 7000   | 1.139                | 40.22 | 15.18                | 0.598               | 46.0  |
| AFB0624HE  | -R00 / -F00 | 24            | 14.0 to 27.6            | 0.25          | 6.00              |        |                      |       |                      |                     |       |
| AFB0612HHE | -R00 / -F00 | 12            | 7.0 to 13.8             | 0.68          | 8.16              | 8000   | 1.307                | 46.17 | 20.14                | 0.793               | 50.0  |
| AFB0624HHE | -R00 / -F00 | 24            | 14.0 to 27.6            | 0.38          | 9.12              |        |                      |       |                      |                     |       |
| AFB0612VHE | -R00 / -F00 | 12            | 7.0 to 13.8             | 0.85          | 10.2              | 9000   | 1.481                | 52.30 | 25.71                | 1.012               | 53.5  |
| AFB0612SHE | -R00 / -F00 | 12            | 7.0 to 13.8             | 1.10          | 13.2              | 10000  | 1.651                | 58.32 | 32.50                | 1.280               | 56.5  |
| AFB0612EHE | -R00 / -F00 | 12            | 7.0 to 13.2             | 1.40          | 16.8              | 11000  | 1.796                | 63.44 | 37.55                | 1.478               | 60.0  |

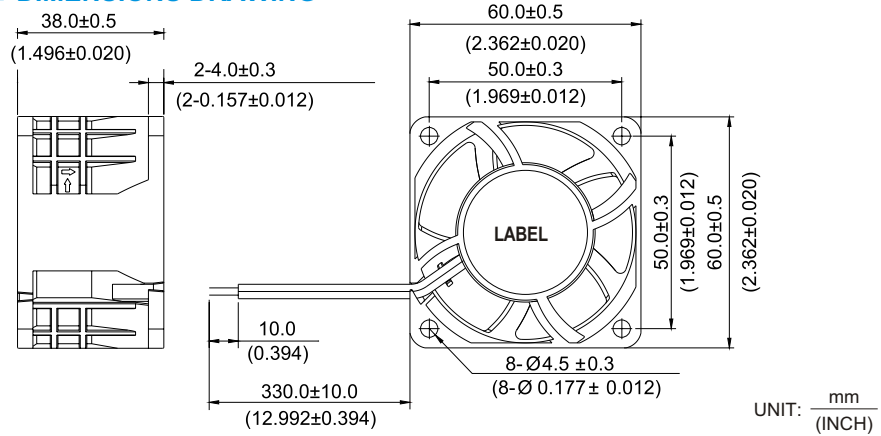
\* Function type is optional.  
 \* The max. air flow and the speed are measured in free air ; max. air pressure is measured at zero air flow.  
 \* Noise is measured in anechoic chamber in free air, one meter from intake side.  
 \* All readings are typical values at rated voltage.  
 \* Specifications are subject to change without notice.

*New*



# AFB 60 x 60 x 38 MM SERIES

## DIMENSIONS DRAWING

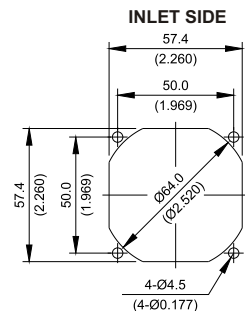
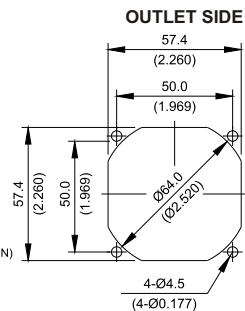
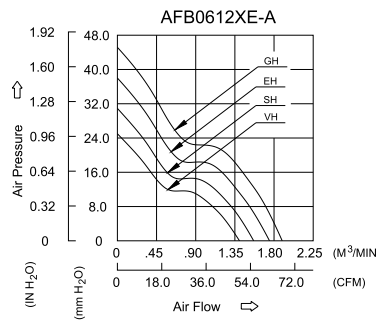


UNIT:  $\frac{\text{mm}}{(\text{INCH})}$

- \* Bearing Type  
Ball Bearings
- \* Material  
Impeller & Frame: Plastic (UL94V-0)
- \* Lead Wires :  
UL 1007AWG #24 OR Equivalent  
Red Wire Positive (+)  
Black Wire Negative (-)
- \* Weight : 117g (4.12 oz)

## P & Q CURVE (AT RATED VOLTAGE)

## MOUNTING PANEL CUTOUT



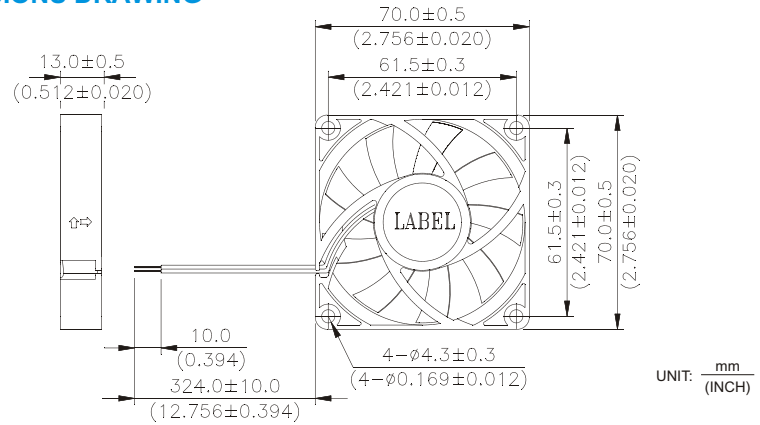
UNIT:  $\frac{\text{mm}}{(\text{INCH})}$

| MODEL      |      |             | Rated Voltage | Operating Voltage Range | Rated Current | Rated Input Power | Speed  | Maximum Air Flow    |       | Maximum Air Pressure |                     | Noise |
|------------|------|-------------|---------------|-------------------------|---------------|-------------------|--------|---------------------|-------|----------------------|---------------------|-------|
| PART NO.   | REV. | FUNCTION    | VDC           | VDC                     | Amp           | Watt              | R.P.M. | m <sup>3</sup> /min | CFM   | mmH <sub>2</sub> O   | IN H <sub>2</sub> O | dB-A  |
| AFB0612VHE | -A   | -R00 / -F00 | 12            | 7.0 to 13.8             | 0.68          | 8.16              | 9000   | 1.403               | 49.54 | 25.00                | 0.984               | 54.0  |
| AFB0612SHE | -A   | -R00 / -F00 | 12            | 7.0 to 13.8             | 0.88          | 10.56             | 10000  | 1.566               | 55.29 | 30.92                | 1.217               | 57.0  |
| AFB0612EHE | -A   | -R00 / -F00 | 12            | 7.0 To 13.8             | 1.12          | 13.44             | 11000  | 1.748               | 61.72 | 38.00                | 1.496               | 60.0  |
| AFB0612GHE | -A   | -R00 / -F00 | 12            | 7.0 To 13.2             | 1.50          | 18.00             | 12000  | 1.890               | 66.75 | 44.17                | 1.739               | 61.5  |

\* Function type is optional.  
 \* The max. air flow and the speed are measured in free air ; max. air pressure is measured at zero air flow.  
 \* Noise is measured in anechoic chamber in free air, one meter from intake side.  
 \* All readings are typical values at rated voltage.  
 \* Specifications are subject to change without notice

# AFB 70 x 70 x 13 MM SERIES

## DIMENSIONS DRAWING

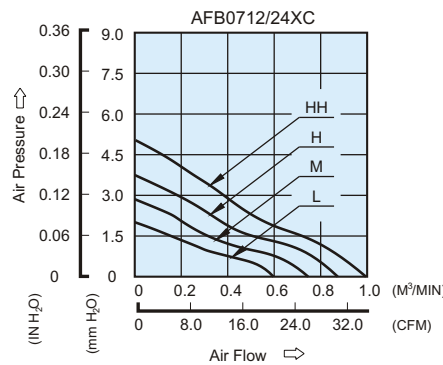


UNIT: mm (INCH)

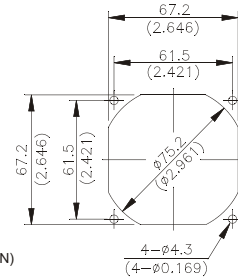
- \* Bearing Type: Ball Bearings
- \* Material : Impeller & Frame : Plastic(UL 94V-0)
- \* Lead Wires : UL 2468 AWG #28 OR Equivalent
- \* Red Wire Positive(+)
- \* Black Wire Negative(-)
- \* Weight : 46g (1.62 OZ)
- \* Rib Type Only

## P & Q CURVE (AT RATED VOLTAGE)

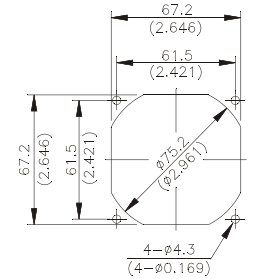
## MOUNTING PANEL CUTOUT



### OUTLET SIDE



### INLET SIDE



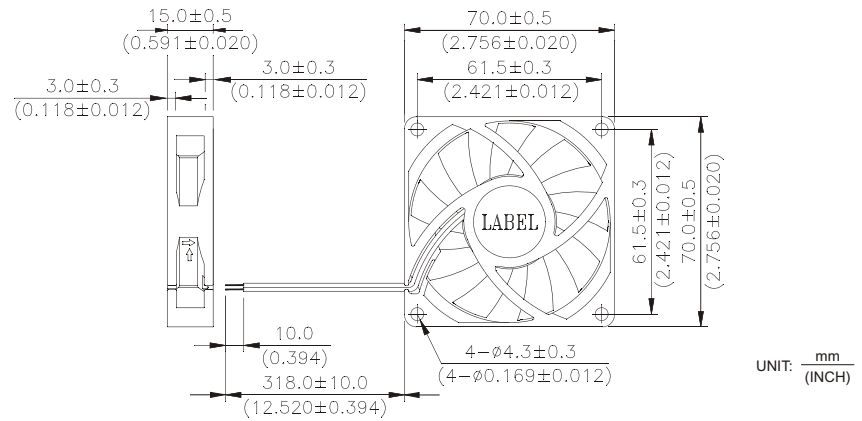
UNIT: mm (INCH)

| MODEL      |             | Rated Voltage | Operating Voltage Range | Rated Current | Rated Input Power | Speed  | Maximum Air Flow    |       | Maximum Air Pressure |                     | Noise |
|------------|-------------|---------------|-------------------------|---------------|-------------------|--------|---------------------|-------|----------------------|---------------------|-------|
| PART NO.   | FUNCTION    | VDC           | VDC                     | Amp           | Watt              | R.P.M. | m <sup>3</sup> /min | CFM   | mmH <sub>2</sub> O   | IN H <sub>2</sub> O | dB-A  |
| AFB0712LC  | -R00 / -F00 | 12            | 4.0 to 13.8             | 0.09          | 1.08              | 2800   | 0.600               | 21.19 | 2.01                 | 0.079               | 27.0  |
| AFB0724LC  | -R00 / -F00 | 24            | 14.0 to 27.6            | 0.07          | 1.68              |        |                     |       |                      |                     |       |
| AFB0712MC  | -R00 / -F00 | 12            | 4.0 to 13.8             | 0.16          | 1.92              | 3300   | 0.750               | 26.49 | 2.89                 | 0.113               | 31.5  |
| AFB0724MC  | -R00 / -F00 | 24            | 14.0 to 27.6            | 0.09          | 2.16              |        |                     |       |                      |                     |       |
| AFB0712HC  | -R00 / -F00 | 12            | 4.0 to 13.8             | 0.22          | 2.64              | 3800   | 0.878               | 31.01 | 3.75                 | 0.148               | 35.0  |
| AFB0724HC  | -R00 / -F00 | 24            | 14.0 to 27.6            | 0.14          | 3.36              |        |                     |       |                      |                     |       |
| AFB0712HHC | -R00 / -F00 | 12            | 4.0 to 13.8             | 0.28          | 3.36              | 4300   | 0.991               | 35.00 | 4.97                 | 0.196               | 38.5  |
| AFB0724HHC | -R00 / -F00 | 24            | 14.0 to 27.6            | 0.17          | 4.08              |        |                     |       |                      |                     |       |

\* Function type is optional.  
 \* The max. air flow and the speed are measured in free air ; max. air pressure is measured at zero air flow.  
 \* Noise is measured in anechoic chamber in free air, one meter from intake side.  
 \* All readings are typical values at rated voltage.  
 \* Specifications are subject to change without notice.  
 \* Both of the ball bearing and the 1 ball + 1 Sleeve type are available.

# AFB 70 x 70 x 15 MM SERIES

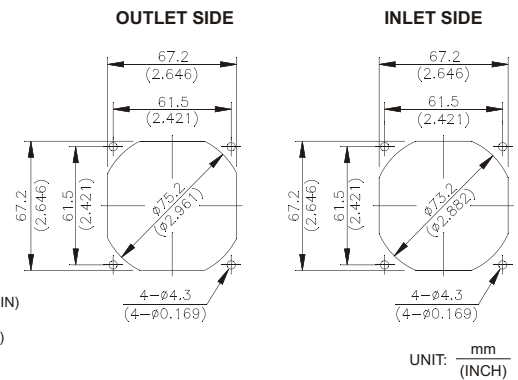
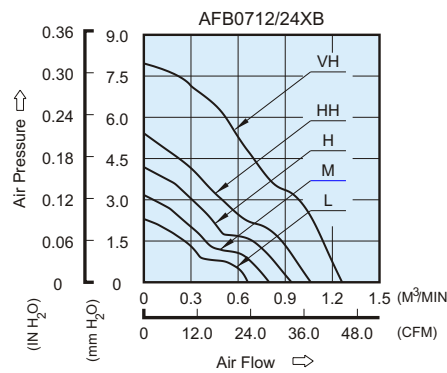
## DIMENSIONS DRAWING



- \* Bearing Type : Ball Bearings
- \* Material : Impeller & Frame : Plastic(UL 94V-0)
- \* Lead Wires : UL 1007 AWG #24 OR Equivalent  
Red Wire Positive(+)  
Black Wire Negative(-)
- \* Weight : 47g (1.66 OZ)
- \* Rib Type Only

## P & Q CURVE (AT RATED VOLTAGE)

## MOUNTING PANEL CUTOUT



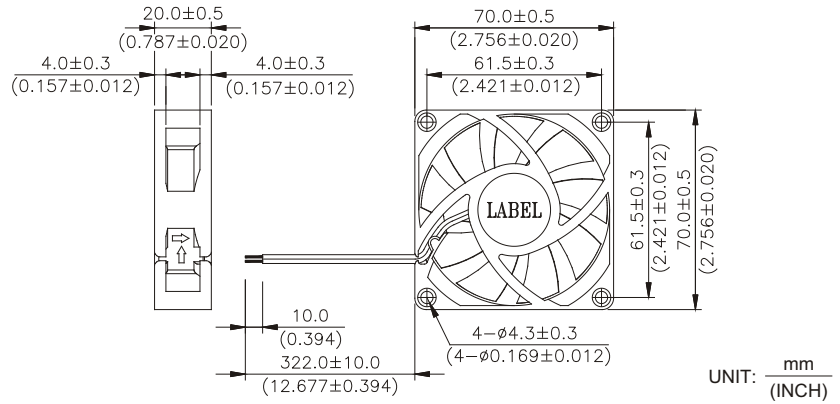
| MODEL      |             | Rated Voltage | Operating Voltage Range | Rated Current | Rated Input Power | Speed  | Maximum Air Flow    |       | Maximum Air Pressure |                     | Noise |
|------------|-------------|---------------|-------------------------|---------------|-------------------|--------|---------------------|-------|----------------------|---------------------|-------|
| PART NO.   | FUNCTION    | VDC           | VDC                     | Amp           | Watt              | R.P.M. | m <sup>3</sup> /min | CFM   | mmH <sub>2</sub> O   | IN H <sub>2</sub> O | dB-A  |
| AFB0712LB  | -R00 / -F00 | 12            | 4.0 to 13.8             | 0.08          | 0.96              | 2800   | 0.662               | 23.38 | 2.27                 | 0.089               | 26.5  |
| AFB0724LB  | -R00 / -F00 | 24            | 14.0 to 27.6            | 0.06          | 1.44              |        |                     |       |                      |                     |       |
| AFB0712MB  | -R00 / -F00 | 12            | 4.0 to 13.8             | 0.14          | 1.68              | 3300   | 0.798               | 28.18 | 3.12                 | 0.123               | 31.0  |
| AFB0724MB  | -R00 / -F00 | 24            | 14.0 to 27.6            | 0.09          | 2.16              |        |                     |       |                      |                     |       |
| AFB0712HB  | -R00 / -F00 | 12            | 4.0 to 13.8             | 0.18          | 2.16              | 3800   | 0.940               | 33.20 | 4.12                 | 0.162               | 34.5  |
| AFB0724HB  | -R00 / -F00 | 24            | 14.0 to 27.6            | 0.12          | 2.88              |        |                     |       |                      |                     |       |
| AFB0712HHB | -R00 / -F00 | 12            | 4.0 to 13.8             | 0.26          | 3.12              | 4300   | 1.063               | 37.54 | 5.33                 | 0.210               | 38.5  |
| AFB0724HHB | -R00 / -F00 | 24            | 14.0 to 27.6            | 0.15          | 3.60              |        |                     |       |                      |                     |       |
| AFB0712VHB | -R00 / -F00 | 12            | 4.0 to 12.6             | 0.37          | 4.44              | 5200   | 1.287               | 45.45 | 7.79                 | 0.306               | 44.0  |

\* Function type is optional.  
 \* The max. air flow and the speed are measured in free air ; max. air pressure is measured at zero air flow.  
 \* Noise is measured in anechoic chamber in free air, one meter from intake side.  
 \* All readings are typical values at rated voltage.  
 \* Specifications are subject to change without notice.  
 \* Both of the ball bearing and the 1 ball + 1 Sleeve type are available(except \*AFB0712VHB).

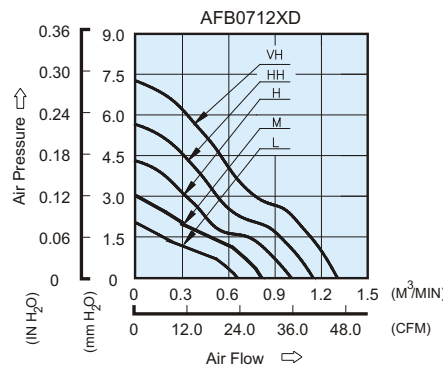


# AFB 70 x 70 x 20 MM SERIES

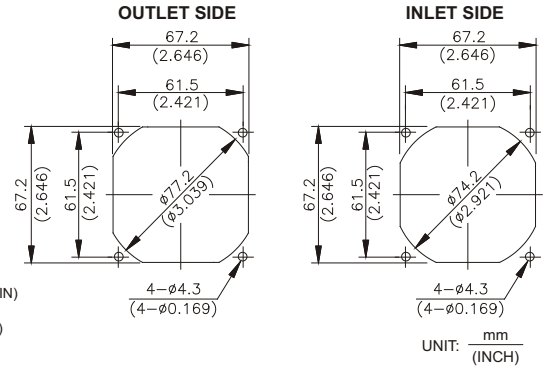
## DIMENSIONS DRAWING



## P & Q CURVE (AT RATED VOLTAGE)



## MOUNTING PANEL CUTOUT



- \* Bearing Type  
Ball Bearings
- \* Material  
Impeller & Frame : Plastic (UL 94V-0)
- \* Lead Wires :  
UL 1007 AWG #24 OR Equivalent  
Red Wire Positive (+)  
Black Wire Negative (-)
- \* Weight : 68g (2.40 oz)
- \* Rib Type Only

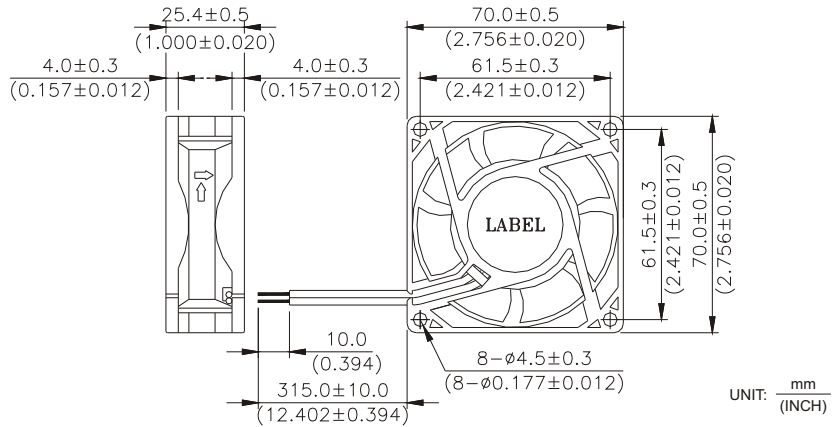
| MODEL      |             | Rated Voltage | Operating Voltage Range | Rated Current | Rated Input Power | Speed  | Maximum Air Flow    |       | Maximum Air Pressure |                     | Noise |
|------------|-------------|---------------|-------------------------|---------------|-------------------|--------|---------------------|-------|----------------------|---------------------|-------|
| PART NO.   | FUNCTION    | VDC           | VDC                     | Amp           | Watt              | R.P.M. | m <sup>3</sup> /min | CFM   | mmH <sub>2</sub> O   | IN H <sub>2</sub> O | dB-A  |
| AFB0712LD  | -R00 / -F00 | 12            | 5.0 to 13.8             | 0.06          | 0.72              | 2600   | 0.682               | 24.08 | 2.01                 | 0.079               | 27.0  |
| AFB0712MD  | -R00 / -F00 | 12            | 5.0 to 13.8             | 0.11          | 1.32              | 3200   | 0.826               | 29.16 | 2.99                 | 0.117               | 32.0  |
| AFB0712HD  | -R00 / -F00 | 12            | 5.0 to 13.8             | 0.18          | 2.16              | 3800   | 1.003               | 35.42 | 4.30                 | 0.169               | 36.5  |
| AFB0712HHD | -R00 / -F00 | 12            | 5.0 to 13.8             | 0.25          | 3.00              | 4400   | 1.145               | 40.43 | 5.64                 | 0.222               | 40.5  |
| AFB0712VHD | -R00 / -F00 | 12            | 5.0 to 13.2             | 0.35          | 4.20              | 5000   | 1.327               | 46.86 | 7.24                 | 0.285               | 44.3  |

- \* Function type is optional.
- \* The max. air flow and the speed are measured in free air ; max. air pressure is measured at zero air flow.
- \* Noise is measured in anechoic chamber in free air, one meter from intake side.
- \* All readings are typical values at rated voltage.
- \* Specifications are subject to change without notice.
- \* Both of the ball bearing and the 1 ball + 1 Sleeve type are available.



# AFB 70 x 70 x 25.4 MM SERIES

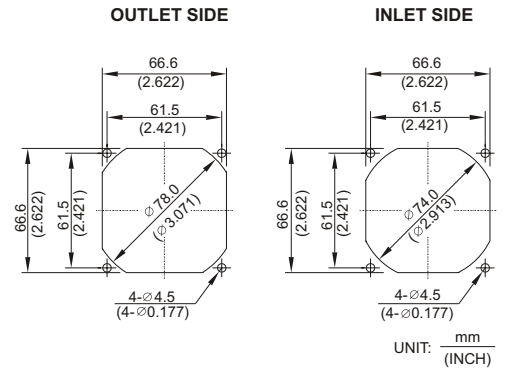
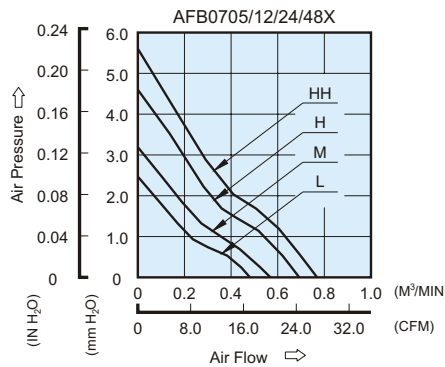
## DIMENSIONS DRAWING



- \* Bearing Type  
Ball Bearings
- \* Material  
Impeller & Frame : Plastic (UL 94V-0)
- \* Lead Wires :  
UL 1007 AWG #24 OR Equivalent  
Red Wire Positive (+)  
Black Wire Negative (-)
- \* Weight : 77g (2.72 oz)

## P & Q CURVE (AT RATED VOLTAGE)

## MOUNTING PANEL CUTOUT



| MODEL     |             | Rated Voltage | Operating Voltage Range | Rated Current | Rated Input Power | Speed  | Maximum Air Flow    |       | Maximum Air Pressure |                     | Noise |
|-----------|-------------|---------------|-------------------------|---------------|-------------------|--------|---------------------|-------|----------------------|---------------------|-------|
| PART NO.  | FUNCTION    | VDC           | VDC                     | Amp           | Watt              | R.P.M. | m <sup>3</sup> /min | CFM   | mmH <sub>2</sub> O   | IN H <sub>2</sub> O | dB-A  |
| AFB0705L  | / -F00      | 5             | 4.5 to 5.5              | 0.15          | 0.75              | 2600   | 0.480               | 16.95 | 2.45                 | 0.097               | 24.5  |
| AFB0712L  | -R00 / -F00 | 12            | 7.0 to 13.8             | 0.08          | 0.96              |        |                     |       |                      |                     |       |
| AFB0724L  | -R00 / -F00 | 24            | 14.0 to 27.6            | 0.04          | 0.96              |        |                     |       |                      |                     |       |
| AFB0748L  | -R00 / -F00 | 48            | 28.0 to 56.0            | 0.03          | 1.44              |        |                     |       |                      |                     |       |
| AFB0705M  | / -F00      | 5             | 4.5 to 5.5              | 0.22          | 1.10              | 3000   | 0.570               | 20.13 | 3.15                 | 0.124               | 28.0  |
| AFB0712M  | -R00 / -F00 | 12            | 7.0 to 13.8             | 0.10          | 1.20              |        |                     |       |                      |                     |       |
| AFB0724M  | -R00 / -F00 | 24            | 14.0 to 27.6            | 0.05          | 1.20              |        |                     |       |                      |                     |       |
| AFB0748M  | -R00 / -F00 | 48            | 28.0 to 56.0            | 0.04          | 1.92              |        |                     |       |                      |                     |       |
| AFB0705H  | / -F00      | 5             | 4.5 to 5.5              | 0.40          | 2.00              | 3600   | 0.680               | 24.01 | 4.46                 | 0.176               | 32.0  |
| AFB0712H  | -R00 / -F00 | 12            | 7.0 to 13.8             | 0.13          | 1.56              |        |                     |       |                      |                     |       |
| AFB0724H  | -R00 / -F00 | 24            | 14.0 to 27.6            | 0.08          | 1.92              |        |                     |       |                      |                     |       |
| AFB0748H  | -R00 / -F00 | 48            | 28.0 to 56.0            | 0.04          | 1.92              |        |                     |       |                      |                     |       |
| AFB0712HH | -R00 / -F00 | 12            | 4.0 to 13.8             | 0.17          | 2.04              | 4000   | 0.770               | 27.19 | 5.47                 | 0.215               | 35.0  |
| AFB0724HH | -R00 / -F00 | 24            | 14.0 to 27.6            | 0.10          | 2.40              |        |                     |       |                      |                     |       |
| AFB0748HH | -R00 / -F00 | 48            | 28.0 to 56.0            | 0.05          | 2.40              |        |                     |       |                      |                     |       |

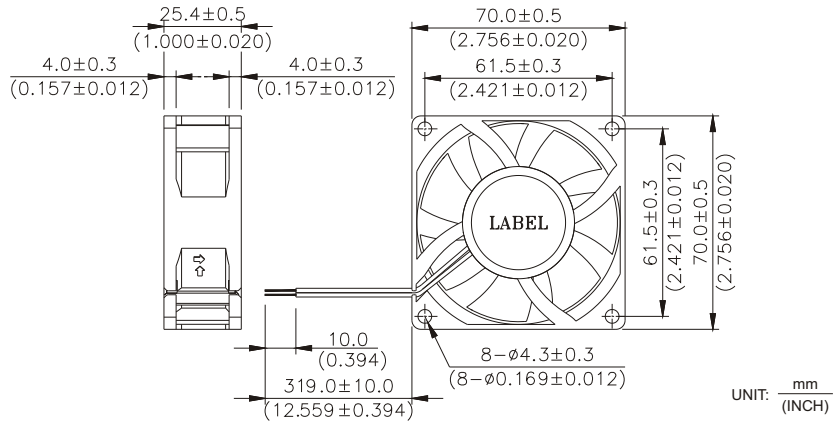
\* Function type is optional.  
 \* The max. air flow and the speed are measured in free air ; max. air pressure is measured at zero air flow.  
 \* Noise is measured in anechoic chamber in free air, one meter from intake side.  
 \* All readings are typical values at rated voltage.  
 \* Specifications are subject to change without notice.

# AFB 70 x 70 x 25.4 MM SERIES

*New*

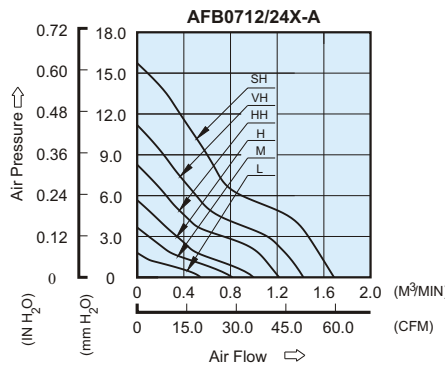


## DIMENSIONS DRAWING

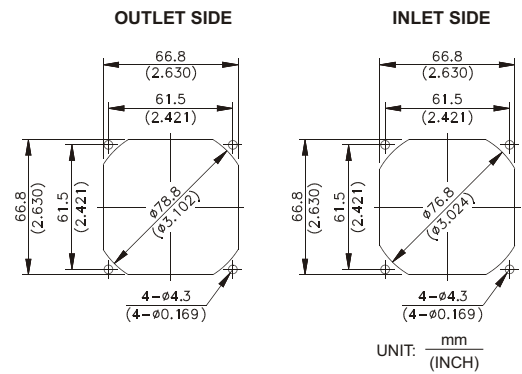


- \* Bearing Type  
Ball Bearings
- \* Material  
Impeller & Frame : Plastic (UL 94V-0)
- \* Lead Wires :  
UL 1007 AWG #24 OR Equivalent  
Red Wire Positive (+)  
Black Wire Negative (-)
- \* Weight : 90g (3.17 oz)

## P & Q CURVE (AT RATED VOLTAGE)



## MOUNTING PANEL CUTOUT



| MODEL     |      |           | Rated Voltage | Operating Voltage Range | Rated Current | Rated Input Power | Speed  | Maximum Air Flow    |       | Maximum Air Pressure |                     | Noise |
|-----------|------|-----------|---------------|-------------------------|---------------|-------------------|--------|---------------------|-------|----------------------|---------------------|-------|
| PART NO.  | REV. | FUNCTION  | VDC           | VDC                     | Amp           | Watt              | R.P.M. | m <sup>3</sup> /min | CFM   | mmH <sub>2</sub> O   | IN H <sub>2</sub> O | dB-A  |
| AFB0712L  | -A   | -R00/-F00 | 12            | 5.0 to 13.8             | 0.07          | 0.84              | 2300   | 0.599               | 21.16 | 1.99                 | 0.078               | 23.0  |
| AFB0724L  | -A   | -R00/-F00 | 24            | 14.0 to 26.4            | 0.06          | 1.44              |        |                     |       |                      |                     |       |
| AFB0712M  | -A   | -R00/-F00 | 12            | 5.0 to 13.8             | 0.11          | 1.32              | 3100   | 0.817               | 28.85 | 3.55                 | 0.140               | 31.5  |
| AFB0724M  | -A   | -R00/-F00 | 24            | 14.0 to 26.4            | 0.09          | 2.16              |        |                     |       |                      |                     |       |
| AFB0712H  | -A   | -R00/-F00 | 12            | 5.0 to 13.8             | 0.17          | 2.04              | 3900   | 1.028               | 36.30 | 5.52                 | 0.217               | 37.5  |
| AFB0724H  | -A   | -R00/-F00 | 24            | 14.0 to 26.4            | 0.13          | 3.12              |        |                     |       |                      |                     |       |
| AFB0712HH | -A   | -R00/-F00 | 12            | 5.0 to 13.8             | 0.31          | 3.72              | 4700   | 1.246               | 44.01 | 7.89                 | 0.311               | 44.0  |
| AFB0724HH | -A   | -R00/-F00 | 24            | 14.0 to 26.4            | 0.18          | 4.32              |        |                     |       |                      |                     |       |
| AFB0712VH | -A   | -R00/-F00 | 12            | 5.0 to 12.6             | 0.44          | 5.28              | 5500   | 1.472               | 51.97 | 10.99                | 0.433               | 47.5  |
| AFB0724VH | -A   | -R00/-F00 | 24            | 14.0 to 26.4            | 0.27          | 6.48              |        |                     |       |                      |                     |       |
| AFB0712SH | -A   | -R00/-F00 | 12            | 5.0 to 13.8             | 0.65          | 7.80              | 6300   | 1.729               | 61.05 | 15.90                | 0.625               | 50.5  |

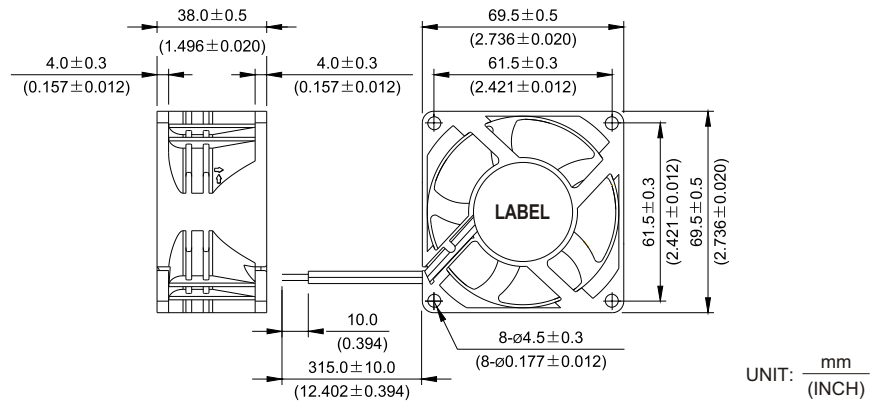
\* Function type is optional.  
 \* The max. air flow and the speed are measured in free air ; max. air pressure is measured at zero air flow.  
 \* Noise is measured in anechoic chamber in free air, one meter from intake side.  
 \* All readings are typical values at rated voltage.  
 \* Specifications are subject to change without notice.  
 \* "SH" for rib type only Weight:104g(3.66OZ).  
 \* Both of the ball bearing and the 1 ball + 1 Sleeve type are available.

*New*



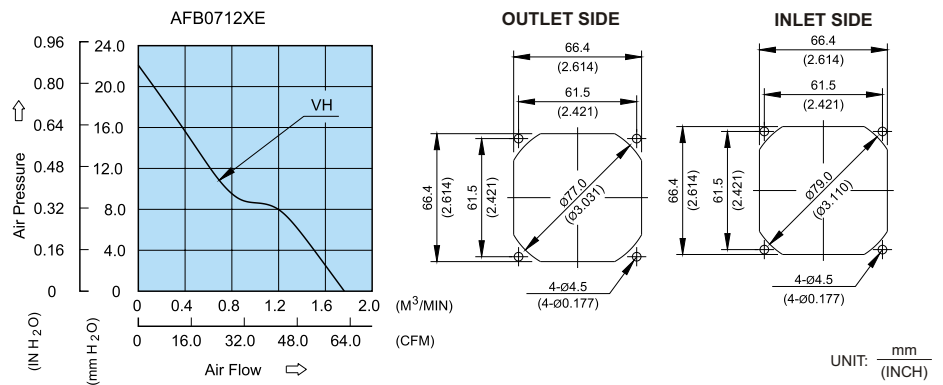
# AFB 70 x 70 x 38 MM SERIES

## DIMENSIONS DRAWING



- \* Bearing Type: Ball Bearings
- \* Material: Plastic (UL94V-0)
- \* Impeller & Frame: Plastic (UL94V-0)
- \* Lead Wires : UL 1007 AWG #24 OR Equivalent  
Red Wire Positive (+)  
Black Wire Negative (-)
- \* Weight : 133g (4.68 oz)

## P & Q CURVE (AT RATED VOLTAGE) ■ MOUNTING PANEL CUTOUT

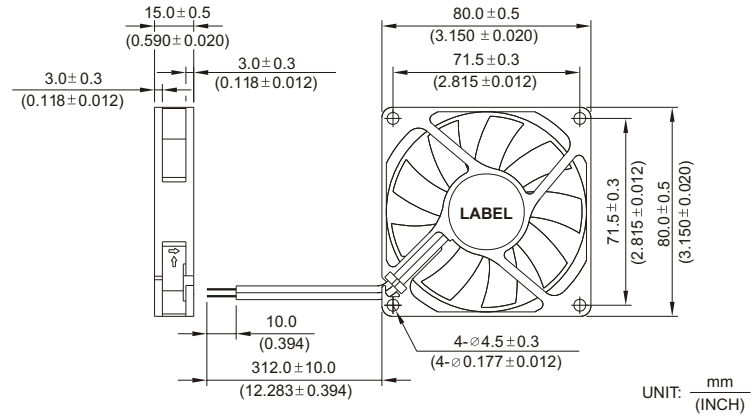


| MODEL      |           | Rated Voltage | Operating Voltage Range | Rated Current | Rated Input Power | Speed  | Maximum Air Flow    |       | Maximum Air Pressure |                     | Noise |
|------------|-----------|---------------|-------------------------|---------------|-------------------|--------|---------------------|-------|----------------------|---------------------|-------|
| PART NO.   | FUNCTION  | VDC           | VDC                     | Amp           | Watt              | R.P.M. | m <sup>3</sup> /min | CFM   | mmH <sub>2</sub> O   | IN H <sub>2</sub> O | dB-A  |
| AFB0712VHE | -R00/-F00 | 12            | 7.0 to 12.6             | 0.70          | 8.40              | 7000   | 1.762               | 62.25 | 22.09                | 0.870               | 51.0  |

\* Function type is optional.  
 \* The max. air flow and the speed are measured in free air ; max. air pressure is measured at zero air flow.  
 \* Noise is measured in anechoic chamber in free air, one meter from intake side.  
 \* All readings are typical values at rated voltage.  
 \* Specifications are subject to change without notice.

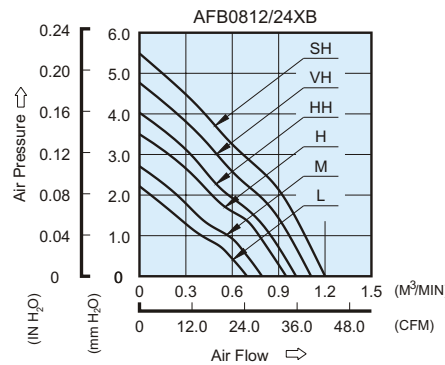
# AFB 80 x 80 x 15 MM SERIES

## DIMENSIONS DRAWING

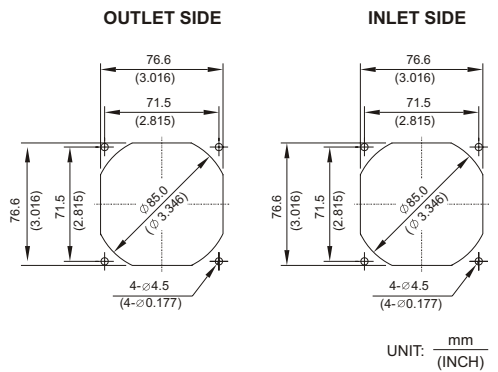


- \* Bearing Type  
Ball Bearings
- \* Material  
Impeller & Frame : Plastic (UL 94V-0)
- \* Lead Wires :  
UL 1007 AWG #24 OR Equivalent  
Red Wire Positive (+)  
Black Wire Negative (-)
- \* Weight : 58g (2.05 oz)
- \* Rib Type Only

## P & Q CURVE (AT RATED VOLTAGE)



## MOUNTING PANEL CUTOUT

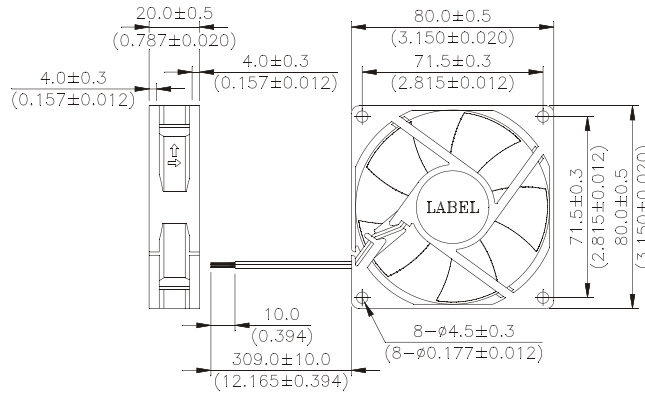


| MODEL      |             | Rated Voltage | Operating Voltage Range | Rated Current | Rated Input Power | Speed  | Maximum Air Flow    |       | Maximum Air Pressure |                     | Noise |
|------------|-------------|---------------|-------------------------|---------------|-------------------|--------|---------------------|-------|----------------------|---------------------|-------|
| PART NO.   | FUNCTION    | VDC           | VDC                     | Amp           | Watt              | R.P.M. | m <sup>3</sup> /min | CFM   | mmH <sub>2</sub> O   | IN H <sub>2</sub> O | dB-A  |
| AFB0812LB  | -R00 / -F00 | 12            | 7.0 to 13.8             | 0.09          | 1.08              | 2400   | 0.700               | 24.72 | 2.20                 | 0.087               | 27.5  |
| AFB0824LB  | -R00 / -F00 | 24            | 14.0 to 27.6            | 0.05          | 1.20              |        |                     |       |                      |                     |       |
| AFB0812MB  | -R00 / -F00 | 12            | 7.0 to 13.8             | 0.11          | 1.32              | 2700   | 0.800               | 28.25 | 2.71                 | 0.107               | 30.5  |
| AFB0824MB  | -R00 / -F00 | 24            | 14.0 to 27.6            | 0.06          | 1.44              |        |                     |       |                      |                     |       |
| AFB0812HB  | -R00 / -F00 | 12            | 7.0 to 13.8             | 0.14          | 1.68              | 3100   | 0.950               | 33.55 | 3.50                 | 0.138               | 34.0  |
| AFB0824HB  | -R00 / -F00 | 24            | 14.0 to 27.6            | 0.08          | 1.92              |        |                     |       |                      |                     |       |
| AFB0812HHB | -R00 / -F00 | 12            | 7.0 to 13.8             | 0.16          | 1.92              | 3400   | 1.010               | 35.67 | 4.03                 | 0.159               | 37.0  |
| AFB0824HHB | -R00 / -F00 | 24            | 14.0 to 27.6            | 0.10          | 2.40              |        |                     |       |                      |                     |       |
| AFB0812VHB | -R00 / -F00 | 12            | 7.0 to 13.8             | 0.19          | 2.28              | 3700   | 1.110               | 39.20 | 4.77                 | 0.188               | 39.5  |
| AFB0824VHB | -R00 / -F00 | 24            | 14.0 to 27.6            | 0.12          | 2.88              |        |                     |       |                      |                     |       |
| AFB0812SHB | -R00 / -F00 | 12            | 7.0 to 13.8             | 0.27          | 3.24              | 4000   | 1.210               | 42.73 | 5.49                 | 0.216               | 42.5  |
| AFB0824SHB | -R00 / -F00 | 24            | 14.0 to 26.0            | 0.17          | 4.08              |        |                     |       |                      |                     |       |

\* Function type is optional.  
 \* The max. air flow and the speed are measured in free air ; max. air pressure is measured at zero air flow.  
 \* Noise is measured in anechoic chamber in free air, one meter from intake side.  
 \* All readings are typical values at rated voltage.  
 \* Specifications are subject to change without notice.

# AFB 80 x 80 x 20 MM SERIES

## DIMENSIONS DRAWING

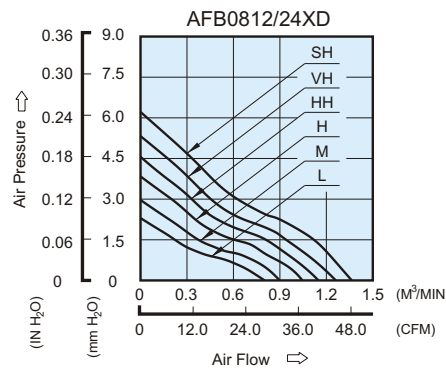


UNIT:  $\frac{\text{mm}}{\text{(INCH)}}$

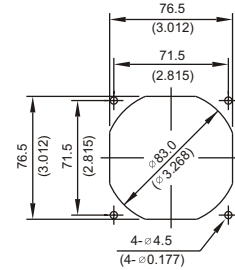
- \* Bearing Type  
Ball Bearings
- \* Material  
Impeller & Frame : Plastic (UL 94V-0)
- \* Lead Wires :  
UL 1007 AWG #24 OR Equivalent  
Red Wire Positive (+)  
Black Wire Negative (-)
- \* Weight : 74g (2.61 oz)

## P & Q CURVE (AT RATED VOLTAGE)

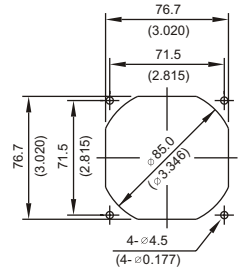
## MOUNTING PANEL CUTOUT



### OUTLET SIDE



### INLET SIDE



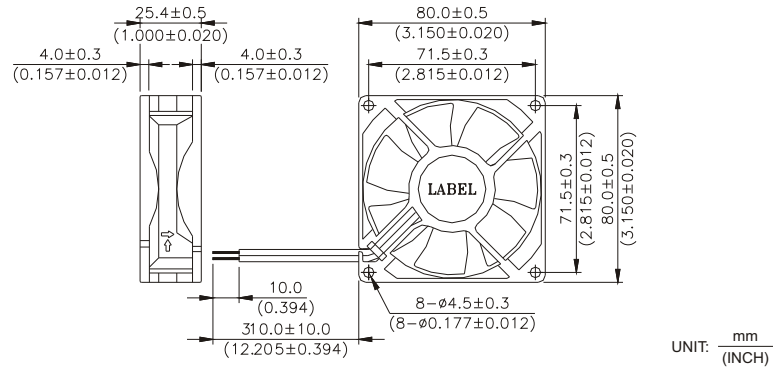
UNIT:  $\frac{\text{mm}}{\text{(INCH)}}$

| MODEL      |             | Rated Voltage | Operating Voltage Range | Rated Current | Rated Input Power | Speed | Maximum Air Flow    |       | Maximum Air Pressure |                     | Noise |
|------------|-------------|---------------|-------------------------|---------------|-------------------|-------|---------------------|-------|----------------------|---------------------|-------|
| PART NO.   | FUNCTION    | VDC           | VDC                     | Amp           | Watt              | R.P.M | m <sup>3</sup> /min | CFM   | mmH <sub>2</sub> O   | IN H <sub>2</sub> O | dB-A  |
| AFB0812LD  | -R00 / -F00 | 12            | 7.0 to 13.8             | 0.08          | 0.96              | 2400  | 0.802               | 28.32 | 2.30                 | 0.091               | 25.5  |
| AFB0824LD  | -R00 / -F00 | 24            | 14.0 to 27.6            | 0.04          | 0.96              |       |                     |       |                      |                     |       |
| AFB0812MD  | -R00 / -F00 | 12            | 7.0 to 13.8             | 0.10          | 1.20              | 2700  | 0.899               | 31.75 | 2.97                 | 0.117               | 29.0  |
| AFB0824MD  | -R00 / -F00 | 24            | 14.0 to 27.6            | 0.05          | 1.20              |       |                     |       |                      |                     |       |
| AFB0812HD  | -R00 / -F00 | 12            | 7.0 to 13.8             | 0.12          | 1.44              | 3100  | 1.046               | 36.94 | 3.84                 | 0.151               | 34.0  |
| AFB0824HD  | -R00 / -F00 | 24            | 14.0 to 27.6            | 0.08          | 1.92              |       |                     |       |                      |                     |       |
| AFB0812HHD | -R00 / -F00 | 12            | 7.0 to 13.8             | 0.17          | 2.04              | 3400  | 1.150               | 40.61 | 4.56                 | 0.180               | 36.0  |
| AFB0824HHD | -R00 / -F00 | 24            | 14.0 to 27.6            | 0.09          | 2.16              |       |                     |       |                      |                     |       |
| AFB0812VHD | -R00 / -F00 | 12            | 7.0 to 13.8             | 0.20          | 2.40              | 3700  | 1.262               | 44.57 | 5.33                 | 0.210               | 39.0  |
| AFB0824VHD | -R00 / -F00 | 24            | 14.0 to 27.6            | 0.10          | 2.40              |       |                     |       |                      |                     |       |
| AFB0812SHD | -R00 / -F00 | 12            | 7.0 to 13.8             | 0.22          | 2.64              | 4000  | 1.365               | 48.20 | 6.22                 | 0.245               | 41.0  |
| AFB0824SHD | -R00 / -F00 | 24            | 14.0 to 27.6            | 0.12          | 2.88              |       |                     |       |                      |                     |       |

\* Function type is optional.  
 \* The max. air flow and the speed are measured in free air ; max. air pressure is measured at zero air flow.  
 \* Noise is measured in anechoic chamber in free air, one meter from intake side.  
 \* All readings are typical values at rated voltage.  
 \* Specifications are subject to change without notice.

# AFB 80 x 80 x 25.4 MM SERIES

## DIMENSIONS DRAWING

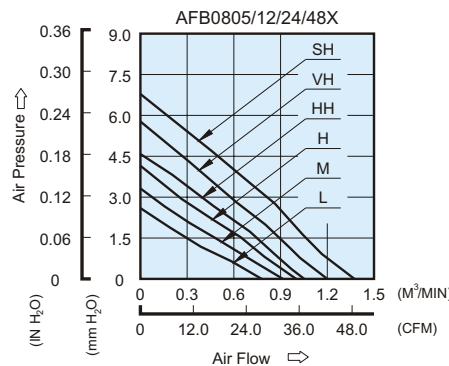


UNIT: mm (INCH)

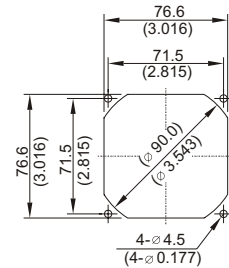
- \* Bearing Type: Ball Bearings
- \* Material: Impeller & Frame : Plastic (UL 94V-0)
- \* Lead Wires : UL 1007 AWG #24 OR Equivalent  
Red Wire Positive (+)  
Black Wire Negative (-)
- \* Weight : 80g (2.82 oz)

## P & Q CURVE (AT RATED VOLTAGE)

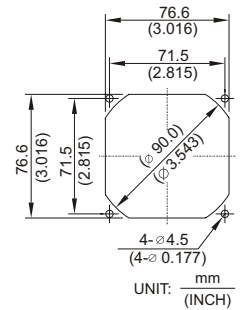
## MOUNTING PANEL CUTOUT



### OUTLET SIDE



### INLET SIDE



UNIT: mm (INCH)

| MODEL     |             | Rated Voltage | Operating Voltage Range | Rated Current | Rated Input Power | Speed  | Maximum Air Flow     |       | Maximum Air Pressure |                     | Noise |
|-----------|-------------|---------------|-------------------------|---------------|-------------------|--------|----------------------|-------|----------------------|---------------------|-------|
| PART NO.  | FUNCTION    | VDC           | VDC                     | Amp           | Watt              | R.P.M. | m <sup>3</sup> / min | CFM   | mmH <sub>2</sub> O   | IN H <sub>2</sub> O | dB-A  |
| AFB0805L  | / -F00      | 5             | 4.5 to 5.5              | 0.24          | 1.20              | 2400   | 0.790                | 27.90 | 2.59                 | 0.102               | 25.0  |
| AFB0812L  | -R00 / -F00 | 12            | 7.0 to 13.8             | 0.09          | 1.08              |        |                      |       |                      |                     |       |
| AFB0824L  | -R00 / -F00 | 24            | 14.0 to 27.6            | 0.05          | 1.20              |        |                      |       |                      |                     |       |
| AFB0848L  | -R00 / -F00 | 48            | 28.0 to 56.0            | 0.05          | 2.40              |        |                      |       |                      |                     |       |
| AFB0805M  | / -F00      | 5             | 4.5 to 5.5              | 0.33          | 1.65              | 2700   | 0.890                | 31.43 | 3.28                 | 0.129               | 28.0  |
| AFB0812M  | -R00 / -F00 | 12            | 7.0 to 13.8             | 0.12          | 1.44              |        |                      |       |                      |                     |       |
| AFB0824M  | -R00 / -F00 | 24            | 14.0 to 27.6            | 0.06          | 1.44              |        |                      |       |                      |                     |       |
| AFB0848M  | -R00 / -F00 | 48            | 28.0 to 56.0            | 0.06          | 2.88              |        |                      |       |                      |                     |       |
| AFB0805H  | / -F00      | 5             | 4.5 to 5.5              | 0.43          | 2.15              | 3000   | 1.000                | 35.31 | 4.04                 | 0.159               | 31.0  |
| AFB0812H  | -R00 / -F00 | 12            | 7.0 to 13.8             | 0.16          | 1.92              |        |                      |       |                      |                     |       |
| AFB0824H  | -R00 / -F00 | 24            | 14.0 to 27.6            | 0.07          | 1.68              |        |                      |       |                      |                     |       |
| AFB0848H  | -R00 / -F00 | 48            | 28.0 to 56.0            | 0.07          | 3.36              |        |                      |       |                      |                     |       |
| AFB0812HH | -R00 / -F00 | 12            | 7.0 to 13.8             | 0.20          | 2.40              | 3250   | 1.060                | 37.43 | 4.59                 | 0.181               | 34.0  |
| AFB0824HH | -R00 / -F00 | 24            | 14.0 to 27.6            | 0.09          | 2.16              |        |                      |       |                      |                     |       |
| AFB0848HH | -R00 / -F00 | 48            | 28.0 to 56.0            | 0.08          | 3.84              |        |                      |       |                      |                     |       |
| AFB0812VH | -R00 / -F00 | 12            | 7.0 to 13.8             | 0.26          | 3.12              |        |                      |       |                      |                     |       |
| AFB0824VH | -R00 / -F00 | 24            | 14.0 to 27.6            | 0.14          | 3.36              | 3600   | 1.190                | 42.02 | 5.51                 | 0.217               | 38.0  |
| AFB0812SH | -R00 / -F00 | 12            | 7.0 to 13.8             | 0.34          | 4.08              |        |                      |       |                      |                     |       |
| AFB0824SH | -R00 / -F00 | 24            | 14.0 to 26.0            | 0.16          | 3.84              |        |                      |       |                      |                     |       |
| AFB0812SH | -R00 / -F00 | 12            | 7.0 to 13.8             | 0.34          | 4.08              |        |                      |       |                      |                     |       |
| AFB0824SH | -R00 / -F00 | 24            | 14.0 to 26.0            | 0.16          | 3.84              | 4000   | 1.320                | 46.62 | 6.78                 | 0.267               | 40.0  |
| AFB0812SH | -R00 / -F00 | 12            | 7.0 to 13.8             | 0.34          | 4.08              |        |                      |       |                      |                     |       |
| AFB0824SH | -R00 / -F00 | 24            | 14.0 to 26.0            | 0.16          | 3.84              |        |                      |       |                      |                     |       |

\* Function type is optional.  
 \* The max. air flow and the speed are measured in free air ; max. air pressure is measured at zero air flow.  
 \* Noise is measured in anechoic chamber in free air, one meter from intake side.  
 \* All readings are typical values at rated voltage.  
 \* Specifications are subject to change without notice.



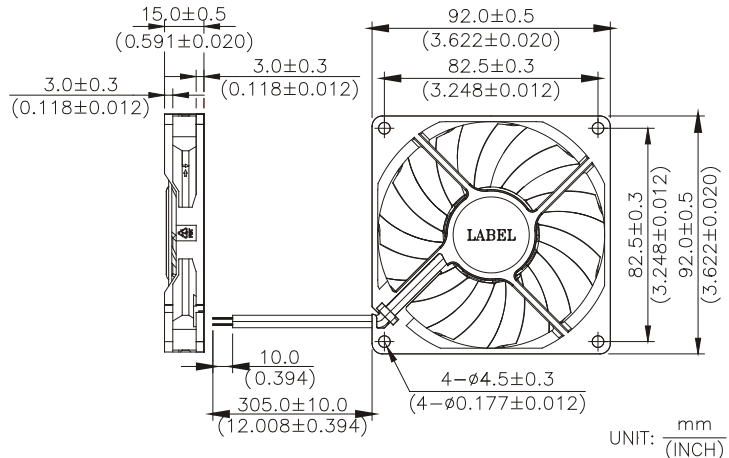
*New*



- \* Bearing Type  
Two Ball Bearings
- \* Material  
Impeller & Frame : Plastic(UL 94V-0)
- \* Lead Wires :  
UL 1007 AWG #24 OR Equivalent  
Red Wire Positive(+)  
Black Wire Negative(-)
- \* Weight : 68g (2.39 OZ)
- \* Rib Type Only

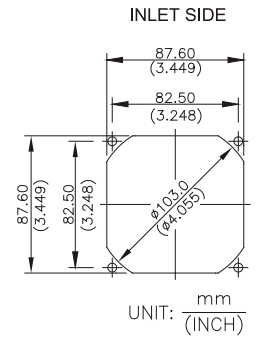
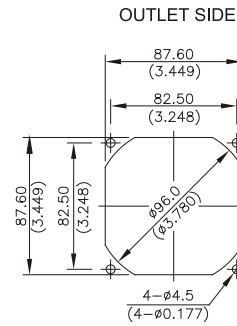
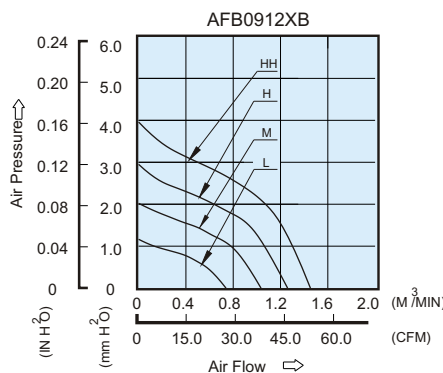
## AFB 92 x 92 x 15 MM SERIES

### DIMENSIONS DRAWING



### P & Q CURVE (AT RATED VOLTAGE)

### MOUNTING PANEL CUTOUT



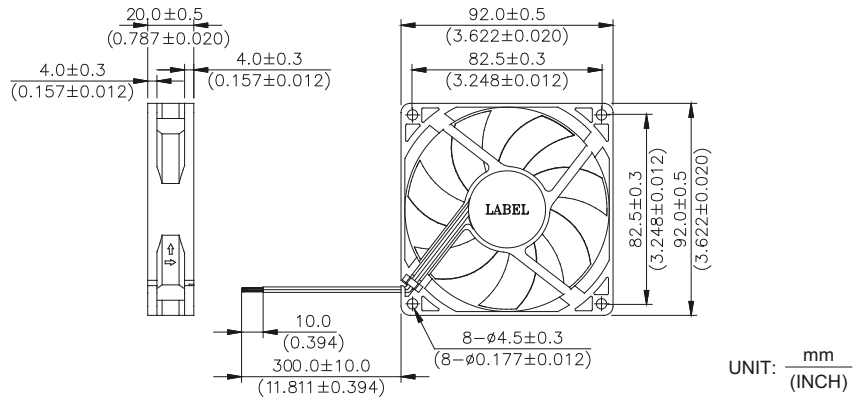
| MODEL      |             | Rated Voltage | Operating Voltage Range | Rated Current | Rated Input Power | Speed  | Maximum Air Flow    |       | Maximum Air Pressure |                     | Noise |
|------------|-------------|---------------|-------------------------|---------------|-------------------|--------|---------------------|-------|----------------------|---------------------|-------|
| PART NO.   | FUNCTION    | VDC           | VDC                     | Amp           | Watt              | R.P.M. | m <sup>3</sup> /min | CFM   | mmH <sub>2</sub> O   | IN H <sub>2</sub> O | dB-A  |
| AFB0912LB  | -R00 / -F00 | 12            | 5.0 to 13.8             | 0.10          | 1.20              | 1800   | 0.739               | 26.09 | 1.16                 | 0.045               | 25.0  |
| AFB0912MB  | -R00 / -F00 | 12            | 5.0 to 13.8             | 0.13          | 1.56              | 2300   | 1.035               | 36.55 | 2.02                 | 0.079               | 32.5  |
| AFB0912HB  | -R00 / -F00 | 12            | 5.0 to 13.8             | 0.21          | 2.52              | 2800   | 1.260               | 44.49 | 2.95                 | 0.116               | 37.5  |
| AFB0912HHB | -R00 / -F00 | 12            | 5.0 to 12.6             | 0.31          | 3.72              | 3300   | 1.453               | 51.53 | 3.96                 | 0.156               | 41.5  |

- \* Function type is optional.
- \* The max. air flow and the speed are measured in free air ; max. air pressure is measured at zero air flow.
- \* Noise is measured in anechoic chamber in free air, one meter from intake side.
- \* All readings are typical values at rated voltage.
- \* Specifications are subject to change without notice.



# AFB 92 x 92 x 20 MM SERIES

## DIMENSIONS DRAWING

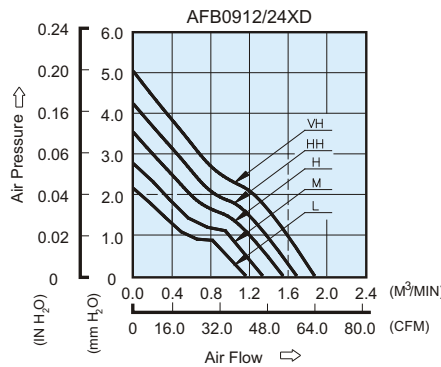


UNIT: mm (INCH)

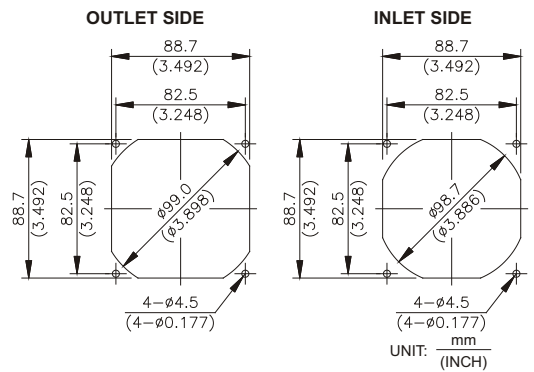


- \* Bearing Type  
Ball Bearings
- \* Material  
Impeller & Frame : Plastic (UL 94V-0)
- \* Lead Wires :  
UL 1007 AWG #24 OR Equivalent  
Red Wire Positive (+)  
Black Wire Negative (-)
- \* Weight : 92g (3.24 oz)

## P & Q CURVE (AT RATED VOLTAGE)



## MOUNTING PANEL CUTOUT

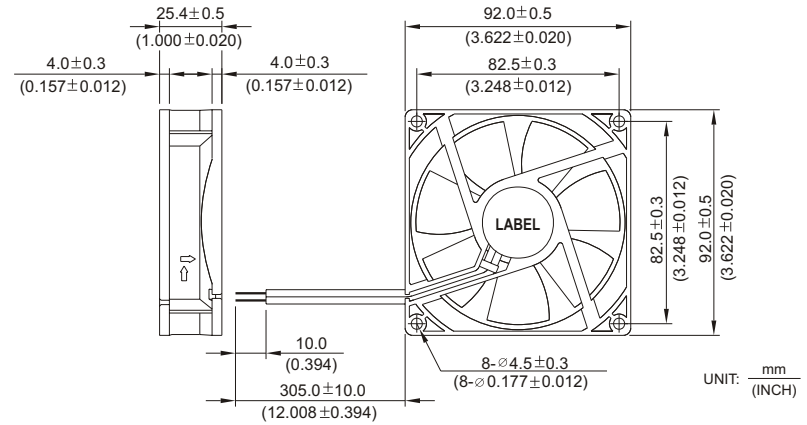


| MODEL      |             | Rated Voltage | Operating Voltage Range | Rated Current | Rated Input Power | Speed  | Maximum Air Flow     |       | Maximum Air Pressure |                     | Noise |
|------------|-------------|---------------|-------------------------|---------------|-------------------|--------|----------------------|-------|----------------------|---------------------|-------|
| PART NO.   | FUNCTION    | VDC           | VDC                     | Amp           | Watt              | R.P.M. | m <sup>3</sup> / min | CFM   | mmH <sub>2</sub> O   | IN H <sub>2</sub> O | dB-A  |
| AFB0912LD  | -R00 / -F00 | 12            | 7.0 to 13.8             | 0.08          | 0.96              | 2100   | 1.161                | 41.00 | 2.13                 | 0.084               | 28.5  |
| AFB0924LD  | -R00 / -F00 | 24            | 14.0 to 27.6            | 0.06          | 1.44              |        |                      |       |                      |                     |       |
| AFB0912MD  | -R00 / -F00 | 12            | 7.0 to 13.8             | 0.10          | 1.20              | 2400   | 1.335                | 47.14 | 2.74                 | 0.108               | 32.0  |
| AFB0924MD  | -R00 / -F00 | 24            | 14.0 to 27.6            | 0.08          | 1.92              |        |                      |       |                      |                     |       |
| AFB0912HD  | -R00 / -F00 | 12            | 7.0 to 13.8             | 0.16          | 1.92              | 2700   | 1.546                | 54.60 | 3.51                 | 0.138               | 35.0  |
| AFB0924HD  | -R00 / -F00 | 24            | 14.0 to 27.6            | 0.10          | 2.40              |        |                      |       |                      |                     |       |
| AFB0912HHD | -R00 / -F00 | 12            | 7.0 to 13.8             | 0.24          | 2.88              | 3000   | 1.686                | 59.54 | 4.22                 | 0.166               | 38.0  |
| AFB0924HHD | -R00 / -F00 | 24            | 14.0 to 27.6            | 0.13          | 3.12              |        |                      |       |                      |                     |       |
| AFB0912VHD | -R00 / -F00 | 12            | 7.0 to 13.8             | 0.28          | 3.36              | 3300   | 1.872                | 66.11 | 5.03                 | 0.198               | 40.5  |
| AFB0924VHD | -R00 / -F00 | 24            | 14.0 to 27.6            | 0.16          | 3.84              |        |                      |       |                      |                     |       |

\* Function type is optional.  
 \* The max. air flow and the speed are measured in free air ; max. air pressure is measured at zero air flow.  
 \* Noise is measured in anechoic chamber in free air, one meter from intake side.  
 \* All readings are typical values at rated voltage.  
 \* Specifications are subject to change without notice.

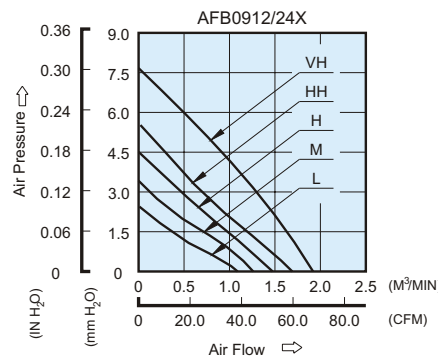
# AFB 92 x 92 x 25.4 MM SERIES

## DIMENSIONS DRAWING

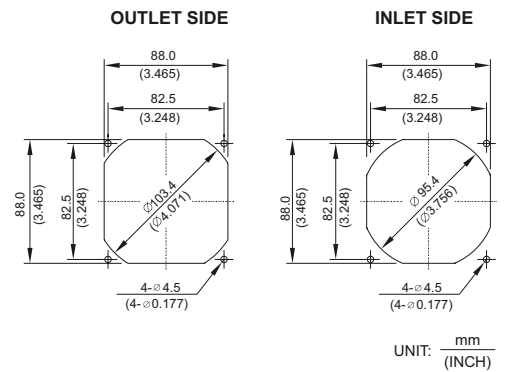


- \* Bearing Type  
Ball Bearings
- \* Material  
Impeller & Frame : Plastic (UL 94V-0)
- \* Lead Wires :  
UL 1007 AWG #24 OR Equivalent  
Red Wire Positive (+)  
Black Wire Negative (-)
- \* Weight : 99g (3.49 oz)

## P & Q CURVE (AT RATED VOLTAGE)



## MOUNTING PANEL CUTOUT



| MODEL     |             | Rated Voltage | Operating Voltage Range | Rated Current | Rated Input Power | Speed  | Maximum Air Flow     |       | Maximum Air Pressure |                     | Noise |
|-----------|-------------|---------------|-------------------------|---------------|-------------------|--------|----------------------|-------|----------------------|---------------------|-------|
| PART NO.  | FUNCTION    | VDC           | VDC                     | Amp           | Watt              | R.P.M. | m <sup>2</sup> / min | CFM   | mmH <sub>2</sub> O   | IN H <sub>2</sub> O | dB-A  |
| AFB0912L  | -R00 / -F00 | 12            | 7.0 to 13.8             | 0.07          | 0.84              | 2100   | 1.050                | 37.08 | 2.53                 | 0.100               | 25.0  |
| AFB0924L  | -R00 / -F00 | 24            | 14.0 to 27.6            | 0.06          | 1.44              |        |                      |       |                      |                     |       |
| AFB0948L  | -R00 / -F00 | 48            | 28.0 to 56.0            | 0.05          | 2.40              |        |                      |       |                      |                     |       |
| AFB0912M  | -R00 / -F00 | 12            | 7.0 to 13.8             | 0.11          | 1.32              | 2450   | 1.240                | 43.79 | 3.25                 | 0.130               | 30.0  |
| AFB0924M  | -R00 / -F00 | 24            | 14.0 to 27.6            | 0.08          | 1.92              |        |                      |       |                      |                     |       |
| AFB0948M  | -R00 / -F00 | 48            | 28.0 to 56.0            | 0.05          | 2.40              |        |                      |       |                      |                     |       |
| AFB0912H  | -R00 / -F00 | 12            | 7.0 to 13.8             | 0.16          | 1.92              | 2850   | 1.450                | 51.21 | 4.50                 | 0.177               | 34.0  |
| AFB0924H  | -R00 / -F00 | 24            | 14.0 to 27.6            | 0.10          | 2.40              |        |                      |       |                      |                     |       |
| AFB0948H  | -R00 / -F00 | 48            | 28.0 to 56.0            | 0.06          | 2.88              |        |                      |       |                      |                     |       |
| AFB0912HH | -R00 / -F00 | 12            | 7.0 to 13.8             | 0.25          | 3.00              | 3200   | 1.640                | 57.92 | 5.62                 | 0.221               | 38.0  |
| AFB0924HH | -R00 / -F00 | 24            | 14.0 to 27.6            | 0.13          | 3.12              |        |                      |       |                      |                     |       |
| AFB0948HH | -R00 / -F00 | 48            | 28.0 to 56.0            | 0.08          | 3.84              |        |                      |       |                      |                     |       |
| AFB0912VH | -R00 / -F00 | 12            | 7.0 to 13.8             | 0.40          | 4.80              | 3800   | 1.920                | 67.80 | 7.67                 | 0.302               | 45.0  |
| AFB0924VH | -R00 / -F00 | 24            | 14.0 to 27.6            | 0.22          | 5.28              |        |                      |       |                      |                     |       |

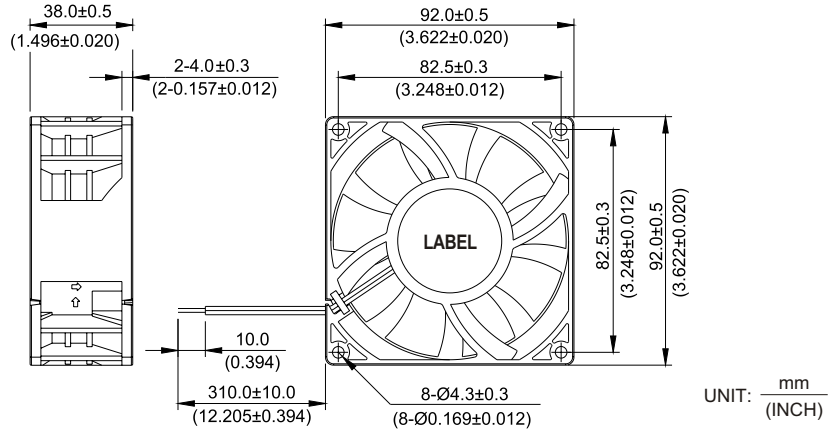
\* Function type is optional.  
 \* The max. air flow and the speed are measured in free air ; max. air pressure is measured at zero air flow.  
 \* Noise is measured in anechoic chamber in free air, one meter from intake side.  
 \* All readings are typical values at rated voltage.  
 \* Specifications are subject to change without notice.

*New*



# AFB 92 x 92 x 38 MM SERIES

## DIMENSIONS DRAWING

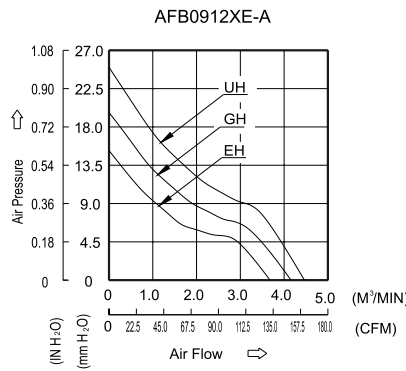


UNIT:  $\frac{\text{mm}}{\text{(INCH)}}$

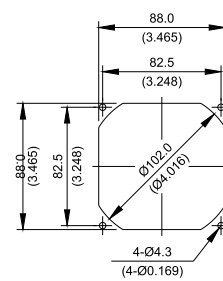
- \* Bearing Type: Ball Bearings
- \* Material: Impeller & Frame : Plastic (UL94V-0)
- \* Lead Wires : UL 1007 AWG #24 OR Equivalent
- \* Red Wire Positive (+)
- \* Black Wire Negative (-)
- \* Weight : 245g (8.64 oz)

## P & Q CURVE (AT RATED VOLTAGE)

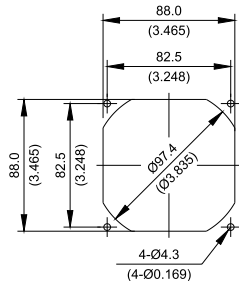
## MOUNTING PANEL CUTOUT



### OUTLET SIDE



### INLET SIDE



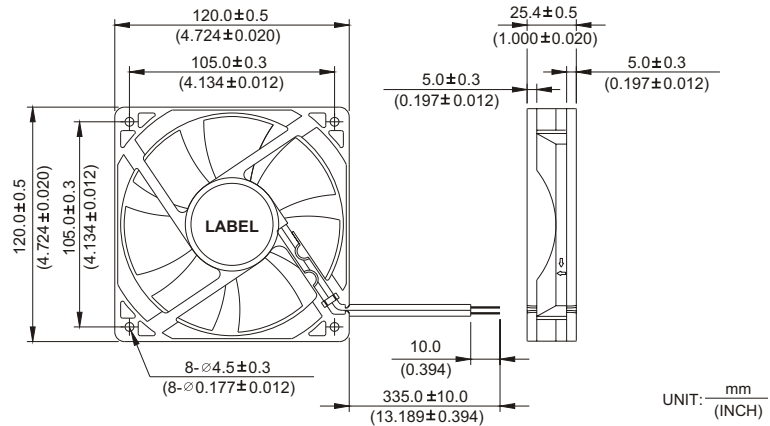
UNIT:  $\frac{\text{mm}}{\text{(INCH)}}$

| MODEL      |      |             | Rated Voltage | Operating Voltage Range | Rated Current | Rated Input Power | Speed  | Maximum Air Flow    |        | Maximum Air Pressure |                     | Noise |
|------------|------|-------------|---------------|-------------------------|---------------|-------------------|--------|---------------------|--------|----------------------|---------------------|-------|
| PART NO.   | REV. | FUNCTION    | VDC           | VDC                     | Amp           | Watt              | R.P.M. | m <sup>3</sup> /min | CFM    | mmH <sub>2</sub> O   | IN H <sub>2</sub> O | dB-A  |
| AFB0912EHE | -A   | -R00 / -F00 | 12            | 7.0 to 13.8             | 1.40          | 16.80             | 4800   | 3.605               | 127.31 | 16.13                | 0.635               | 56.0  |
| AFB0912GHE | -A   | -R00 / -F00 | 12            | 7.0 to 13.8             | 1.85          | 22.20             | 5400   | 4.074               | 143.87 | 20.37                | 0.802               | 60.0  |
| AFB0912UHE | -A   | -R00 / -F00 | 12            | 7.0 to 13.2             | 2.50          | 30.00             | 6000   | 4.537               | 160.22 | 25.45                | 1.002               | 63.0  |

\* Function type is optional.  
 \* The max. air flow and the speed are measured in free air ; max. air pressure is measured at zero air flow.  
 \* Noise is measured in anechoic chamber in free air, one meter from intake side.  
 \* All readings are typical values at rated voltage.  
 \* Specifications are subject to change without notice.

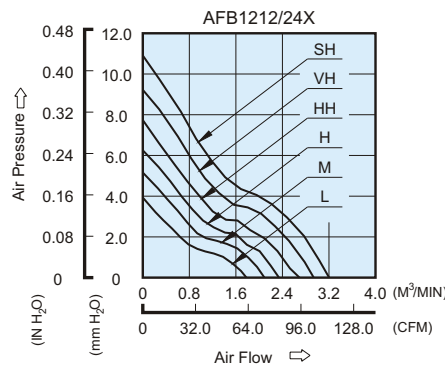
# AFB 120 x 120 x 25.4 MM SERIES

## DIMENSIONS DRAWING

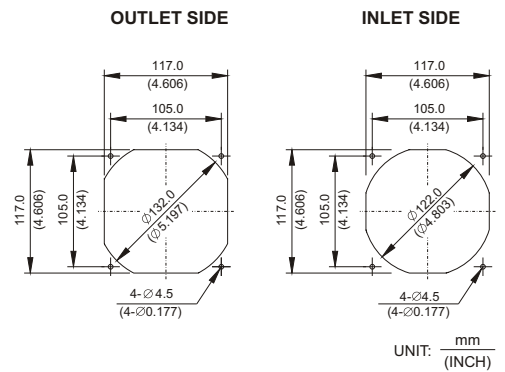


- \* Bearing Type  
Ball Bearings
- \* Material  
Impeller & Frame : Plastic (UL 94V-0)
- \* Lead Wires :  
UL 1007 AWG #24 OR Equivalent  
Red Wire Positive (+)  
Black Wire Negative (-)
- \* Weight : 198g (6.98 oz)

## P & Q CURVE (AT RATED VOLTAGE)



## MOUNTING PANEL CUTOUT

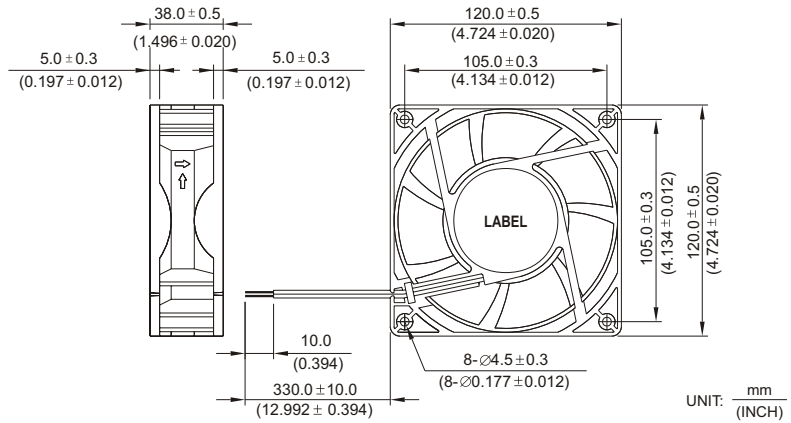


| MODEL     |             | Rated Voltage | Operating Voltage Range | Rated Current | Rated Input Power | Speed  | Maximum Air Flow    |        | Maximum Air Pressure |                     | Noise |
|-----------|-------------|---------------|-------------------------|---------------|-------------------|--------|---------------------|--------|----------------------|---------------------|-------|
| PART NO.  | FUNCTION    | VDC           | VDC                     | Amp           | Watt              | R.P.M. | m <sup>3</sup> /min | CFM    | mmH <sub>2</sub> O   | IN H <sub>2</sub> O | dB-A  |
| AFB1212L  | -R00 / -F00 | 12            | 7.0 to 13.8             | 0.14          | 1.68              | 1900   | 1.782               | 62.93  | 3.93                 | 0.154               | 32.5  |
| AFB1224L  | -R00 / -F00 | 24            | 14.0 to 27.6            | 0.09          | 2.16              |        |                     |        |                      |                     |       |
| AFB1212M  | -R00 / -F00 | 12            | 7.0 to 13.8             | 0.18          | 2.16              | 2200   | 2.091               | 73.84  | 5.15                 | 0.203               | 35.5  |
| AFB1224M  | -R00 / -F00 | 24            | 14.0 to 27.6            | 0.12          | 2.88              |        |                     |        |                      |                     |       |
| AFB1212H  | -R00 / -F00 | 12            | 7.0 to 13.8             | 0.23          | 2.76              | 2500   | 2.341               | 82.67  | 6.25                 | 0.246               | 38.5  |
| AFB1224H  | -R00 / -F00 | 24            | 14.0 to 27.6            | 0.14          | 3.36              |        |                     |        |                      |                     |       |
| AFB1212HH | -R00 / -F00 | 12            | 7.0 to 13.8             | 0.33          | 3.96              | 2800   | 2.694               | 95.14  | 7.73                 | 0.304               | 41.5  |
| AFB1224HH | -R00 / -F00 | 24            | 14.0 to 27.6            | 0.18          | 4.32              |        |                     |        |                      |                     |       |
| AFB1212VH | -R00 / -F00 | 12            | 7.0 to 13.8             | 0.40          | 4.80              | 3100   | 2.938               | 103.75 | 9.43                 | 0.371               | 44.5  |
| AFB1224VH | -R00 / -F00 | 24            | 14.0 to 27.6            | 0.23          | 5.52              |        |                     |        |                      |                     |       |
| AFB1212SH | -R00 / -F00 | 12            | 7.0 to 13.8             | 0.53          | 6.36              | 3400   | 3.203               | 113.11 | 10.92                | 0.430               | 46.5  |
| AFB1224SH | -R00 / -F00 | 24            | 14.0 to 27.6            | 0.28          | 6.72              |        |                     |        |                      |                     |       |

\* Function type is optional.  
 \* The max. air flow and the speed are measured in free air ; max. air pressure is measured at zero air flow.  
 \* Noise is measured in anechoic chamber in free air, one meter from intake side.  
 \* All readings are typical values at rated voltage.  
 \* Specifications are subject to change without notice.

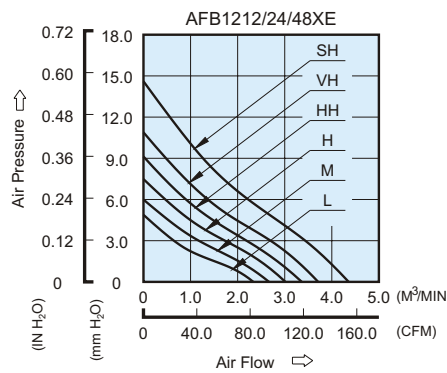
# AFB 120 x 120 x 38 MM SERIES

## DIMENSIONS DRAWING

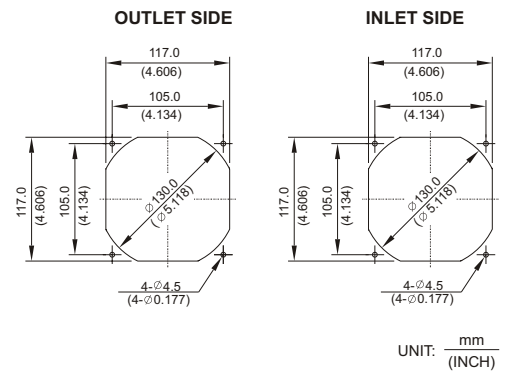


- \* Bearing Type  
Ball Bearings
- \* Material  
Impeller & Frame : Plastic (UL 94V-0)
- \* Lead Wires :  
UL 1007 AWG #24 OR Equivalent  
Red Wire Positive (+)  
Black Wire Negative (-)
- \* Weight : 256g (9.03 oz)

## P & Q CURVE (AT RATED VOLTAGE)



## MOUNTING PANEL CUTOUT



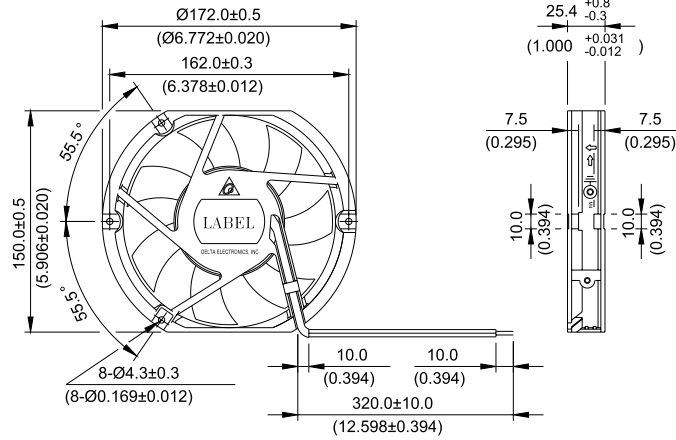
| MODEL      |             | Rated Voltage | Operating Voltage Range | Rated Current | Rated Input Power | Speed  | Maximum Air Flow    |        | Maximum Air Pressure |                     | Noise |
|------------|-------------|---------------|-------------------------|---------------|-------------------|--------|---------------------|--------|----------------------|---------------------|-------|
| PART NO.   | FUNCTION    | VDC           | VDC                     | Amp           | Watt              | R.P.M. | m <sup>3</sup> /min | CFM    | mmH <sub>2</sub> O   | IN H <sub>2</sub> O | dB-A  |
| AFB1212LE  | -R00 / -F00 | 12            | 4.0 to 13.2             | 0.19          | 2.28              | 2000   | 2.400               | 84.76  | 4.56                 | 0.180               | 34.0  |
| AFB1224LE  | -R00 / -F00 | 24            | 7.0 to 27.6             | 0.15          | 3.60              |        |                     |        |                      |                     |       |
| AFB1248LE  | -R00 / -F00 | 48            | 28.0 to 56.0            | 0.06          | 2.88              |        |                     |        |                      |                     |       |
| AFB1212ME  | -R00 / -F00 | 12            | 4.0 to 13.2             | 0.26          | 3.12              | 2300   | 2.690               | 95.00  | 6.00                 | 0.236               | 38.0  |
| AFB1224ME  | -R00 / -F00 | 24            | 7.0 to 27.6             | 0.19          | 4.56              |        |                     |        |                      |                     |       |
| AFB1248ME  | -R00 / -F00 | 48            | 28.0 to 56.0            | 0.08          | 3.84              |        |                     |        |                      |                     |       |
| AFB1212HE  | -R00 / -F00 | 12            | 4.0 to 13.2             | 0.32          | 3.84              | 2600   | 3.000               | 105.94 | 7.60                 | 0.300               | 41.0  |
| AFB1224HE  | -R00 / -F00 | 24            | 7.0 to 27.6             | 0.24          | 5.76              |        |                     |        |                      |                     |       |
| AFB1248HE  | -R00 / -F00 | 48            | 28.0 to 56.0            | 0.12          | 5.76              |        |                     |        |                      |                     |       |
| AFB1212HHE | -R00 / -F00 | 12            | 4.0 to 13.2             | 0.46          | 5.52              | 2900   | 3.400               | 120.07 | 9.00                 | 0.354               | 44.0  |
| AFB1224HHE | -R00 / -F00 | 24            | 7.0 to 27.6             | 0.30          | 7.20              |        |                     |        |                      |                     |       |
| AFB1248HHE | -R00 / -F00 | 48            | 28.0 to 56.0            | 0.15          | 7.20              |        |                     |        |                      |                     |       |
| AFB1212VHE | -R00 / -F00 | 12            | 4.0 to 13.2             | 0.60          | 7.20              | 3200   | 3.680               | 129.96 | 10.70                | 0.420               | 48.0  |
| AFB1224VHE | -R00 / -F00 | 24            | 7.0 to 27.6             | 0.38          | 9.12              |        |                     |        |                      |                     |       |
| AFB1248VHE | -R00 / -F00 | 48            | 28.0 to 56.0            | 0.18          | 8.64              |        |                     |        |                      |                     |       |
| AFB1212SHE | -R00 / -F00 | 12            | 4.0 to 13.2             | 1.05          | 12.60             | 3700   | 4.300               | 151.85 | 14.50                | 0.571               | 53.0  |
| AFB1224SHE | -R00 / -F00 | 24            | 7.0 to 27.6             | 0.50          | 12.00             |        |                     |        |                      |                     |       |

\* Function type is optional.  
 \* The max. air flow and the speed are measured in free air ; max. air pressure is measured at zero air flow.  
 \* Noise is measured in anechoic chamber in free air, one meter from intake side.  
 \* All readings are typical values at rated voltage.  
 \* Specifications are subject to change without notice.

*New*

# AFB 172 x 150 x 25.4 MM SERIES

## DIMENSIONS DRAWING



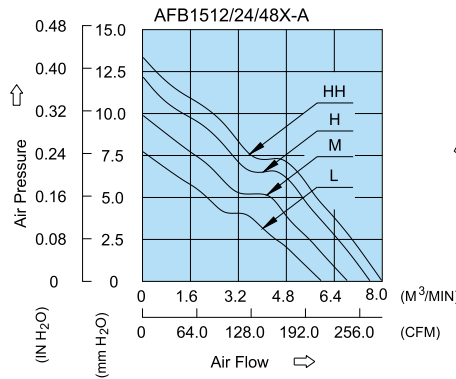
UNIT:  $\frac{\text{mm}}{\text{INCH}}$



- \* Bearing Type  
Ball Bearings
- \* Material  
Impeller : Plastic (UL 94V-0)  
Frame : Die-Cast Aluminum
- \* Lead Wires :  
UL 1007AWG#24 OR Equivalent  
Red Wire Positive (+)  
Black Wire Negative (-)
- \* Weight : 430g (15.17 oz)

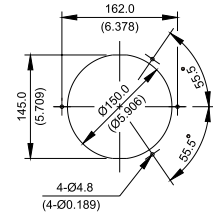
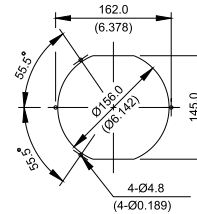
## P & Q CURVE (AT RATED VOLTAGE)

## MOUNTING PANEL CUTOUT



### OUTLET SIDE

### INLET SIDE



UNIT:  $\frac{\text{mm}}{\text{INCH}}$

| MODEL     |     |             | Rated Voltage | Operating Voltage Range | Rated Current | Rated Input Power | Speed  | Maximum Air Flow    |        | Maximum Air Pressure |                     | Noise |
|-----------|-----|-------------|---------------|-------------------------|---------------|-------------------|--------|---------------------|--------|----------------------|---------------------|-------|
| PART NO.  | REV | FUNCTION    | VDC           | VDC                     | Amp           | Watt              | R.P.M. | m <sup>3</sup> /min | CFM    | mmH <sub>2</sub> O   | IN H <sub>2</sub> O | dB-A  |
| AFB1512L  | -A  | -R00 / -F00 | 12            | 6.0 to 14.0             | 0.56          | 6.72              | 2400   | 4.553               | 160.77 | 7.75                 | 0.305               | 46.0  |
| AFB1524L  | -A  | -R00 / -F00 | 24            | 12.0 to 30.0            | 0.31          | 7.44              |        |                     |        |                      |                     |       |
| AFB1548L  | -A  | -R00 / -F00 | 48            | 24.0 to 60.0            | 0.17          | 8.16              |        |                     |        |                      |                     |       |
| AFB1512M  | -A  | -R00 / -F00 | 12            | 6.0 to 14.0             | 0.76          | 9.12              | 2700   | 5.134               | 181.32 | 9.70                 | 0.382               | 49.0  |
| AFB1524M  | -A  | -R00 / -F00 | 24            | 12.0 to 30.0            | 0.40          | 9.60              |        |                     |        |                      |                     |       |
| AFB1548M  | -A  | -R00 / -F00 | 48            | 24.0 to 60.0            | 0.22          | 10.56             |        |                     |        |                      |                     |       |
| AFB1512H  | -A  | -R00 / -F00 | 12            | 6.0 to 14.0             | 0.98          | 11.76             | 3000   | 5.735               | 202.54 | 11.85                | 0.467               | 52.0  |
| AFB1524H  | -A  | -R00 / -F00 | 24            | 12.0 to 30.0            | 0.50          | 12.00             |        |                     |        |                      |                     |       |
| AFB1548H  | -A  | -R00 / -F00 | 48            | 24.0 to 60.0            | 0.27          | 12.96             |        |                     |        |                      |                     |       |
| AFB1512HH | -A  | -R00 / -F00 | 12            | 6.0 to 14.0             | 1.17          | 14.04             | 3200   | 6.084               | 214.85 | 13.30                | 0.524               | 53.5  |
| AFB1524HH | -A  | -R00 / -F00 | 24            | 12.0 to 30.0            | 0.62          | 14.88             |        |                     |        |                      |                     |       |
| AFB1548HH | -A  | -R00 / -F00 | 48            | 24.0 to 60.0            | 0.31          | 14.88             |        |                     |        |                      |                     |       |

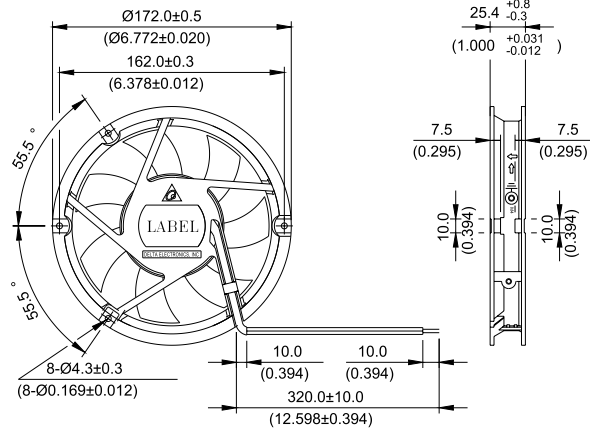
\* Function type is optional.  
 \* The max. air flow and the speed are measured in free air ; max. air pressure is measured at zero air flow.  
 \* Noise is measured in anechoic chamber in free air, one meter from intake side.  
 \* All readings are typical values at rated voltage.  
 \* Specifications are subject to change without notice.



New

# AFB Ø 172 x 25.4 MM SERIES

## DIMENSIONS DRAWING

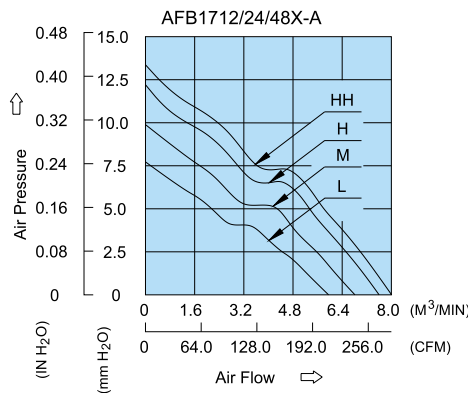


UNIT:  $\frac{\text{mm}}{\text{(INCH)}}$

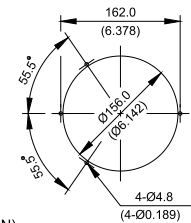
- \* Bearing Type  
Ball Bearings
- \* Material  
Impeller : Plastic (UL 94V-0)  
Frame : Die-Cast Aluminum
- \* Lead Wires :  
UL 1007AWG#24 OR Equivalent  
Red Wire Positive (+)  
Black Wire Negative (-)
- \* Weight : 450g (15.87 oz)

## P & Q CURVE (AT RATED VOLTAGE)

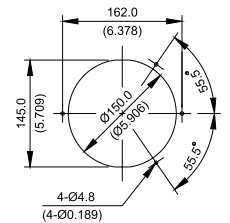
## MOUNTING PANEL CUTOUT



### OUTLET SIDE



### INLET SIDE



UNIT:  $\frac{\text{mm}}{\text{(INCH)}}$

| MODEL     |     |             | Rated Voltage | Operating Voltage Range | Rated Current | Rated Input Power | Speed  | Maximum Air Flow |        | Maximum Air Pressure |                     | Noise |
|-----------|-----|-------------|---------------|-------------------------|---------------|-------------------|--------|------------------|--------|----------------------|---------------------|-------|
| PART NO.  | REV | FUNCTION    | VDC           | VDC                     | Amp           | Watt              | R.P.M. | m³/min           | CFM    | mmH <sub>2</sub> O   | IN H <sub>2</sub> O | dB-A  |
| AFB1712L  | -A  | -R00 / -F00 | 12            | 6.0 to 14.0             | 0.56          | 6.72              | 2400   | 4.553            | 160.77 | 7.75                 | 0.305               | 46.0  |
| AFB1724L  | -A  | -R00 / -F00 | 24            | 12.0 to 30.0            | 0.31          | 7.44              |        |                  |        |                      |                     |       |
| AFB1748L  | -A  | -R00 / -F00 | 48            | 24.0 to 60.0            | 0.17          | 8.16              |        |                  |        |                      |                     |       |
| AFB1712M  | -A  | -R00 / -F00 | 12            | 6.0 to 14.0             | 0.76          | 9.12              | 2700   | 5.134            | 181.32 | 9.70                 | 0.382               | 49.0  |
| AFB1724M  | -A  | -R00 / -F00 | 24            | 12.0 to 30.0            | 0.40          | 9.60              |        |                  |        |                      |                     |       |
| AFB1748M  | -A  | -R00 / -F00 | 48            | 24.0 to 60.0            | 0.22          | 10.56             |        |                  |        |                      |                     |       |
| AFB1712H  | -A  | -R00 / -F00 | 12            | 6.0 to 14.0             | 0.98          | 11.76             | 3000   | 5.735            | 202.54 | 11.85                | 0.467               | 52.0  |
| AFB1724H  | -A  | -R00 / -F00 | 24            | 12.0 to 30.0            | 0.50          | 12.00             |        |                  |        |                      |                     |       |
| AFB1748H  | -A  | -R00 / -F00 | 48            | 24.0 to 60.0            | 0.27          | 12.96             |        |                  |        |                      |                     |       |
| AFB1712HH | -A  | -R00 / -F00 | 12            | 6.0 to 14.0             | 1.17          | 14.04             | 3200   | 6.084            | 214.85 | 13.30                | 0.524               | 53.5  |
| AFB1724HH | -A  | -R00 / -F00 | 24            | 12.0 to 30.0            | 0.62          | 14.88             |        |                  |        |                      |                     |       |
| AFB1748HH | -A  | -R00 / -F00 | 48            | 24.0 to 60.0            | 0.31          | 14.88             |        |                  |        |                      |                     |       |

\* Function type is optional.  
 \* The max. air flow and the speed are measured in free air ; max. air pressure is measured at zero air flow.  
 \* Noise is measured in anechoic chamber in free air, one meter from intake side.  
 \* All readings are typical values at rated voltage.  
 \* Specifications are subject to change without notice.