

High-Side N-Channel Switch with Current Limit

FEATURES

- User Set Over Current Limit From 400 mA to 2.4 A
- Low $r_{DS(on)}$ 45 m Ω (max) at 25 °C
- Fault Indicator
- Under Voltage Lockout

APPLICATIONS

- Notebook Computers Power Management
- USB Power Distribution
- Hot Plug In Power Supplies
- Power Supply/Load Protection
- Battery-Charger Circuits



RoHS*
COMPLIANT

DESCRIPTION

The Si4779CY n-channel high-side switch combines a low $r_{DS(on)}$ MOSFET switch with a user set, pulse gate control (PGC) based current limit. This switch is designed to protect the system power supply from overloads and short circuit conditions in applications such as USB. The PGC based approach to the current limiter provides the additional benefit of keeping the

MOSFET junction temperature within specification, thereby eliminating the need for thermal shutdown. The low quiescent current makes the Si4779CY ideal for use in battery powered devices. The Si4779CY operates on both 3 V and 5 V busses, and is packaged in the LITTLE FOOT® SO-8 package.

FUNCTIONAL BLOCK DIAGRAM

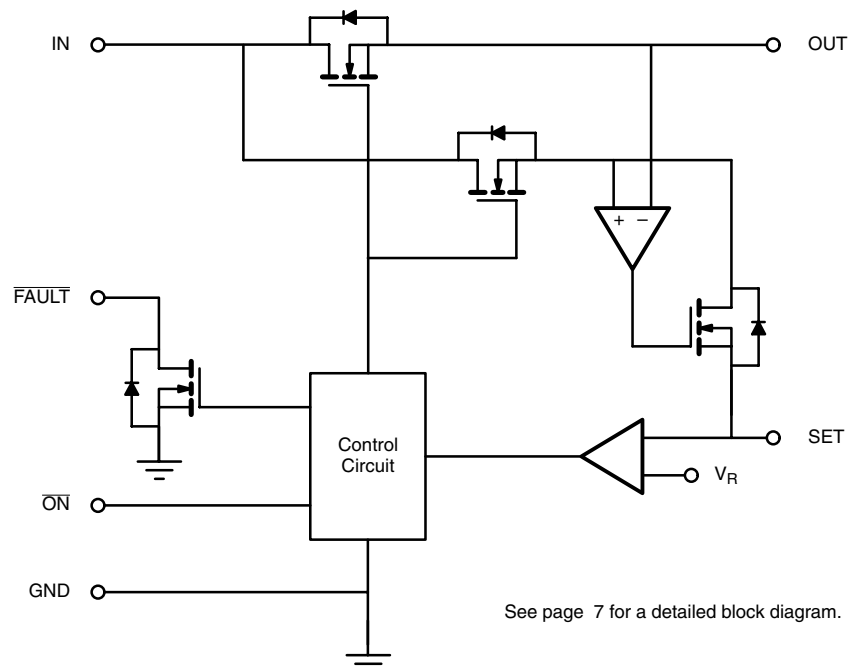


FIGURE 1.

* Pb containing terminations are not RoHS compliant, exemptions may apply.

ABSOLUTE MAXIMUM RATINGS $T_A = 25\text{ }^\circ\text{C}$, unless otherwise noted				
Parameter		Symbol	Limit	Unit
Voltage, IN to GND		V_{IN}	- 0.3 to 7	V
Voltage, \overline{ON}		V_{ON}	- 0.3 to 7	
Continuous Drain Current ($T_J = 150\text{ }^\circ\text{C}$) ^a	$T_A = 25\text{ }^\circ\text{C}$	I_D	2.4	A
	$T_A = 85\text{ }^\circ\text{C}$		2.4	
Maximum Power Dissipation ^a	$T_A = 70\text{ }^\circ\text{C}$	P_D	0.65	W
Operating Junction and Storage Temperature Range		T_J, T_{stg}	- 65 to 125	$^\circ\text{C}$

Stresses beyond those listed under "Absolute Maximum Ratings" may cause permanent damage to the device. These are stress ratings only, and functional operation of the device at these or any other conditions beyond those indicated in the operational sections of the specifications is not implied. Exposure to absolute maximum rating conditions for extended periods may affect device reliability.

RECOMMENDED OPERATING CONDITIONS				
Parameter		Symbol	Typical	Unit
Voltage, IN to GND		V_{IN}	3.0 to 5.0	V
Voltage, \overline{ON} or FAULT to GND		V_{ON}, V_{FAULT}	0 to 5.0	
Operating Temperature Range		T_A	0 to 85	$^\circ\text{C}$

THERMAL RESISTANCE RATINGS					
Parameter		Symbol	Typical	Maximum	Unit
Junction-to-Ambient ^a	Steady State	R_{thJA}	98	120	$^\circ\text{C}/\text{W}$
Junction-to-Foot (Drain) ^b		R_{thJF}	37	46	

Notes:

a. Surface mounted on 1" x 1" FR4 board, 0.062" thick, 2-oz copper double sided.

b. Junction-to-foot thermal impedance represents the effective thermal impedance of all heat carrying leads in parallel and is intended for use in conjunction with the thermal impedance of the PC board pads to ambient ($R_{thJA} = R_{thJF} + R_{thPCB-A}$). It can also be used to estimate chip temperature if power dissipation and the lead temperature of a heat carrying (drain) lead is known.

SPECIFICATIONS						
Parameter	Symbol	Test Conditions Unless Specified $T_A = 25\text{ }^\circ\text{C}$, $V_{IN} = 5\text{ V}$	Limits			Unit
			Min	Typ ^a	Max	
Basic Operations						
Operating Voltage	V_{IN}		2.7		5.5	V
On-State Resistance	$r_{DS(on)}$	$V_{IN} = 4.75\text{ V}$, $I_D = 2\text{ A}$		0.035	0.045	Ω
		$V_{IN} = 3.0\text{ V}$, $I_D = 2\text{ A}$		0.045	0.055	
Supply Current	$I_{SUP(off)}$	$\overline{ON} = IN$, $V_{IN} = 5.5\text{ V}$, $V_{OUT} = 0\text{ V}$			2	μA
	$I_{SUP(on)}$	$\overline{ON} = GND$, $V_{IN} = V_{OUT} = 5.5\text{ V}$, $I_{OUT} = 0\text{ V}$			70	
\overline{ON} Input Low Voltage	V_{ONL}	$V_{IN} = 2.7\text{ V}$ to 5.5 V			0.8	V
\overline{ON} Input High Voltage	V_{ONH}	$V_{IN} = 2.7\text{ V}$ to 3.6 V	2.0			
		$V_{IN} = 4.5\text{ V}$ to 5.5 V	2.4			
\overline{ON} Input Current	I_{ON}	$V_{ON} = 5.5\text{ V}$		0.01	± 1	μA
Protection						
Over Current Limit Range ^b	I_{LIMIT}	Tolerance = $\pm 20\%$, $V_{IN} = 5\text{ V}$	0.4		2.4	A
Under Voltage Lockout (rising edge)	$UVLO_{rise}$		2.0		4.0	V
Under Voltage Lockout (falling edge)	$UVLO_{fall}$		2.0	2.3	2.6	
Under Voltage Hysteresis	$\Delta UVLO$			0.1		
\overline{FAULT} Output Voltage Low ^b	V_{FAULT}	$I_{SINK} = 100\text{ }\mu\text{A}$			0.4	μA
\overline{FAULT} Logic Output Leakage Current	I_{FL}	$V_{IN} = V_{FAULT} = 5.5\text{ V}$		0.01	1	
Dynamic^b						
Turn-On Time	t_{on}	$V_{IN} = 5\text{ V}$, $R_L = 11\text{ }\Omega$, $C_L = 40\text{ }\mu\text{F}$		3		ms
Rise Time	t_r			3.5		
Turn-Off Time	t_{off}	$V_{IN} = 5\text{ V}$, $I_{OUT} = 500\text{ mA}$		1.5		μs
Fall Time	t_f			0.5		
Cycle Time	t_{cyc}	$V_{IN} = 5\text{ V}$, $R_L = 0.5\text{ }\Omega$		8		ms

Notes:

- a. Typical values at $T_A = 25\text{ }^\circ\text{C}$ are for DESIGN AID ONLY, not guaranteed nor subject to production testing.
- b. Guaranteed by design. Derived from I_{SET} current ratio, current-limit amplifier and external set resistor accuracy.

Stresses beyond those listed under "Absolute Maximum Ratings" may cause permanent damage to the device. These are stress ratings only, and functional operation of the device at these or any other conditions beyond those indicated in the operational sections of the specifications is not implied. Exposure to absolute maximum rating conditions for extended periods may affect device reliability.

TIMING DIAGRAMS

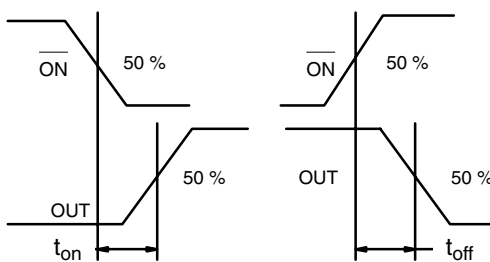


FIGURE 2.

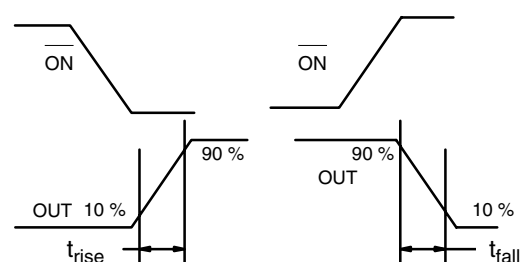


FIGURE 3.

TIMING DIAGRAMS

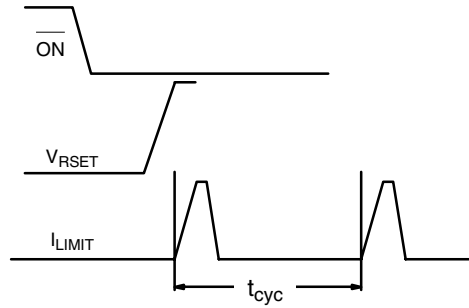


FIGURE 4.

TYPICAL CHARACTERISTICS 25 °C, unless noted

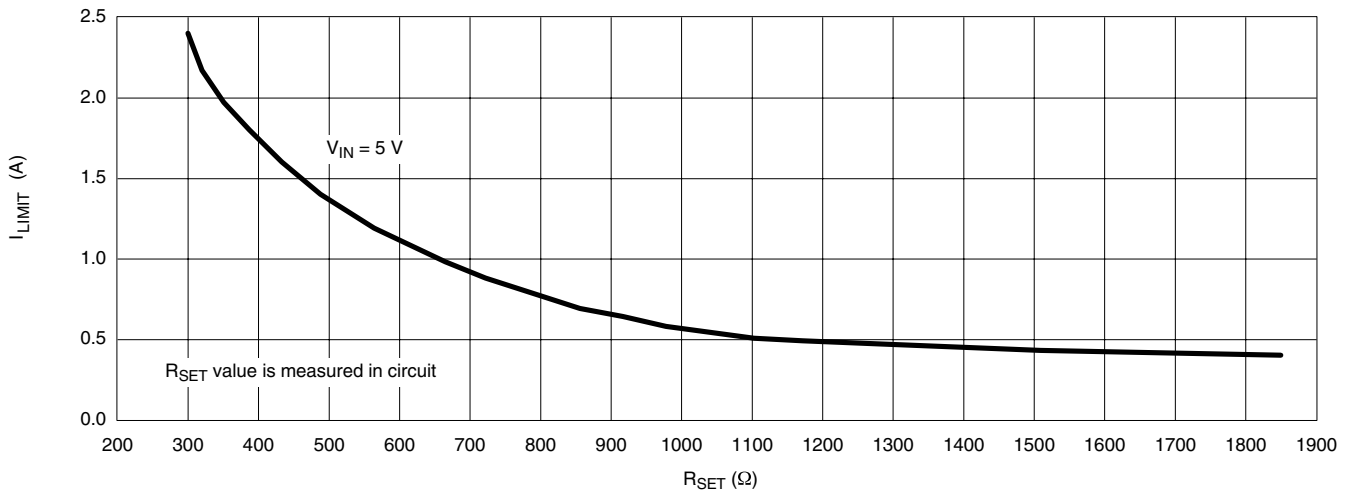


FIGURE 5. R_{SET} vs. I_{LIMIT}

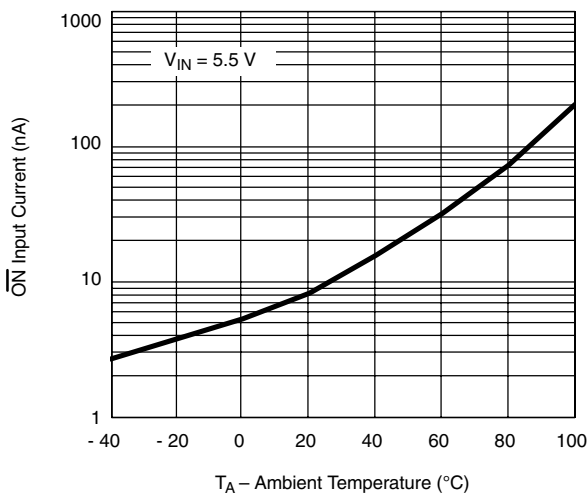


FIGURE 6. Supply Current, Output Disable vs. Ambient Temperature Over Operating Voltage

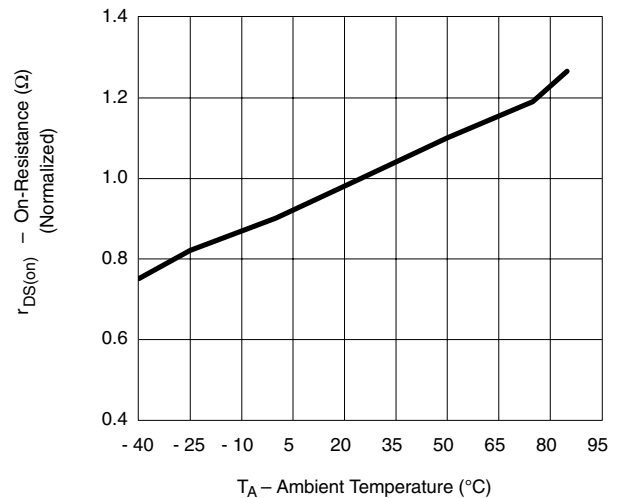
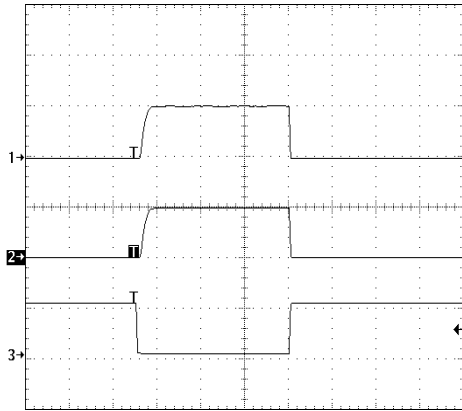


FIGURE 7. Normalized On-Resistance vs. Ambient Temperature

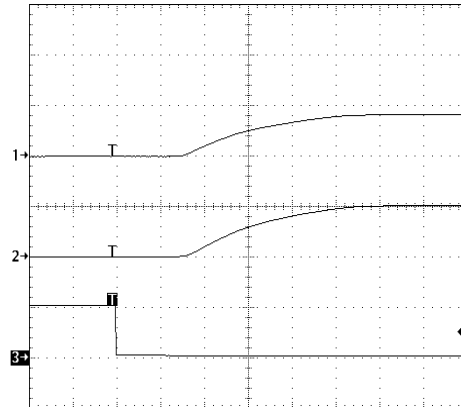
TYPICAL WAVEFORMS $V_{IN} = 5\text{ V}$, $T_A = 25\text{ }^\circ\text{C}$, unless otherwise noted



20 ms/div

CH1: I_{OUT} , 2 A/div
CH2: V_{OUT} , 5 V/div, $C_L = 47\text{ }\mu\text{F}$
CH3: ON, 5 V/div

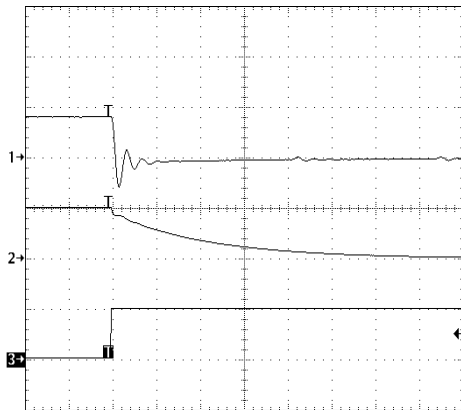
FIGURE 8. Switch Turn-ON/OFF Time



1 ms/div

CH1: I_{OUT} , 0.5 A/div
CH2: V_{OUT} , 5 V/div, $C_L = 10\text{ }\mu\text{F}$
CH3: ON, 5 V/div

FIGURE 9. Switch Turn-ON Time

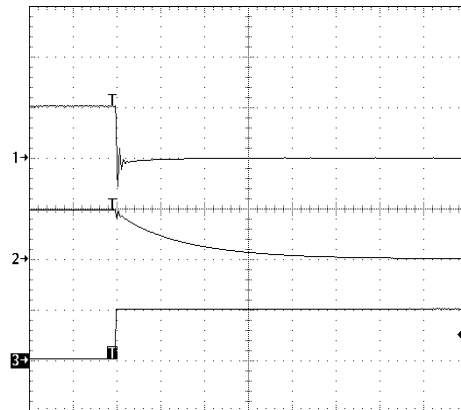


50 $\mu\text{s}/\text{div}$

CH1: I_{OUT} , 0.5 A/div
CH2: V_{OUT} , 5 V/div, $C_L = 10\text{ }\mu\text{F}$
CH3: ON, 5 V/div

NOTE: Discharge time based primarily on external R and C

FIGURE 10. Switch Turn-OFF Time



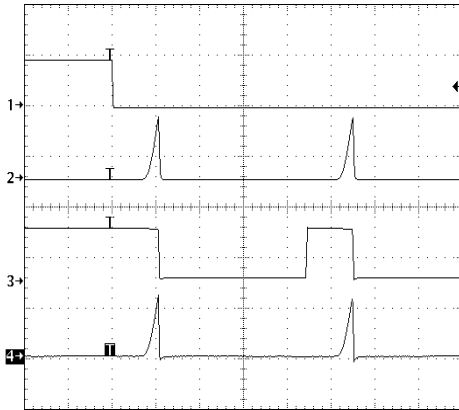
200 $\mu\text{s}/\text{div}$

CH1: I_{OUT} , 0.5 A/div
CH2: V_{OUT} , 5 V/div, $C_L = 150\text{ }\mu\text{F}$
CH3: ON, 5 V/div

NOTE: Discharge time based primarily on external R and C

FIGURE 11. Switch Turn-OFF Time

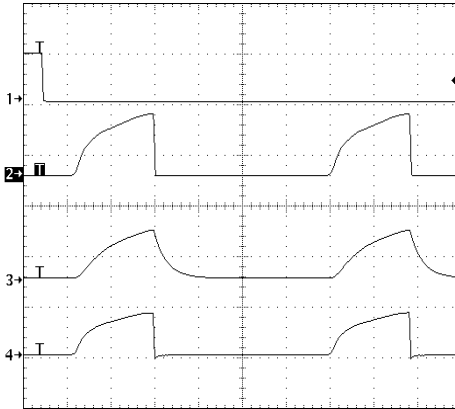
TYPICAL WAVEFORMS $V_{IN} = 5\text{ V}$, $T_A = 25\text{ }^\circ\text{C}$, unless otherwise noted



2 ms/div

CH1: $\overline{\text{ON}}$, 5 V/div
 CH2: V_{OUT} , 5 V/div, $R_L = 0.5\ \Omega$, $C_L = 47\ \mu\text{F}$
 CH3: FAULT, 5 V/div
 CH4: I_{OUT} , 1 A/div

FIGURE 12. FAULT to Short Response (t_{cyc})



2 ms/div

CH1: $\overline{\text{ON}}$, 5 V/div
 CH2: V_{RESET} , 500 mV/div
 CH3: V_{OUT} , 5 V/div, $R_L = 5.6\ \Omega$, $C_L = 100\ \mu\text{F}$
 CH4: I_{OUT} , 1 A/div

FIGURE 13. V_{RESET} to Over Current Response

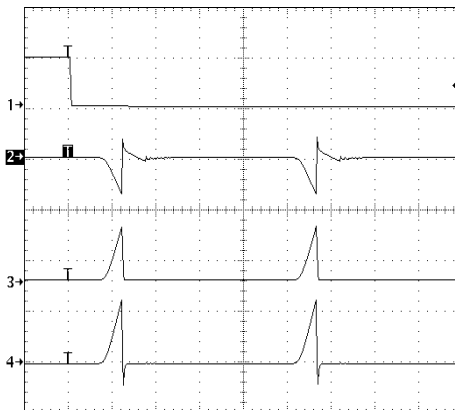


2 ms/div

CH1: $\overline{\text{ON}}$, 5 V/div
 CH2: PS Droops, 50 mV/div, Offset = 5 V
 CH3: V_{OUT} , 1 V/div, $R_L = 0.5\ \Omega$, $C_L = 100\ \mu\text{F}$
 CH4: I_{OUT} , 0.5 A/div

NOTE: Special test with 820- μF capacitor at PS and R_{SET} setup for 0.5 A.

FIGURE 14. Power Supply Droops vs. Short



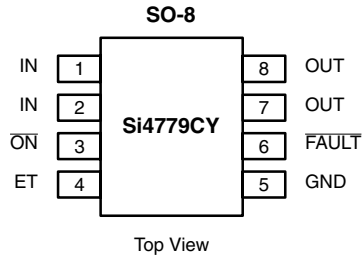
2 ms/div

CH1: $\overline{\text{ON}}$, 5 V/div
 CH2: PS Droops, 100 mV/div, Offset = 5 V
 CH3: V_{OUT} , 1 V/div, $R_L = 0.5\ \Omega$, $C_L = 100\ \mu\text{F}$
 CH4: I_{OUT} , 2 A/div

NOTE: Special test with 820- μF capacitor at PS and R_{SET} setup for 2.4 A.

FIGURE 15. Power Supply Droops vs. Short

PIN CONFIGURATION



Ordering Information: Si4779CY-T1
Si4779CY-T1-E3 (Lead (Pb)-free)

PIN DESCRIPTION		
Pin	Symbol	Description
1, 2	IN	Input. N-channel MOSFET drain, bypass IN with a 100 μ F capacitor to GND.
3	$\overline{\text{ON}}$	Active-low switch-on input, logic low turns switch on. $\overline{\text{ON}}$ needs to be connected to V_{IN} during power up, then connect to GND to activate the switch after power up.
4	SET	Current-limit input. A resistor from SET to GND sets the current limit for the switch.
5	GND	Ground
6	$\overline{\text{FAULT}}$	Fault indicator output. This open drain output goes low when the circuit is in current limit or in short circuit protection mode.
7, 8	OUT	Switch output. N-channel MOSFET source.

DETAILED BLOCK DIAGRAM

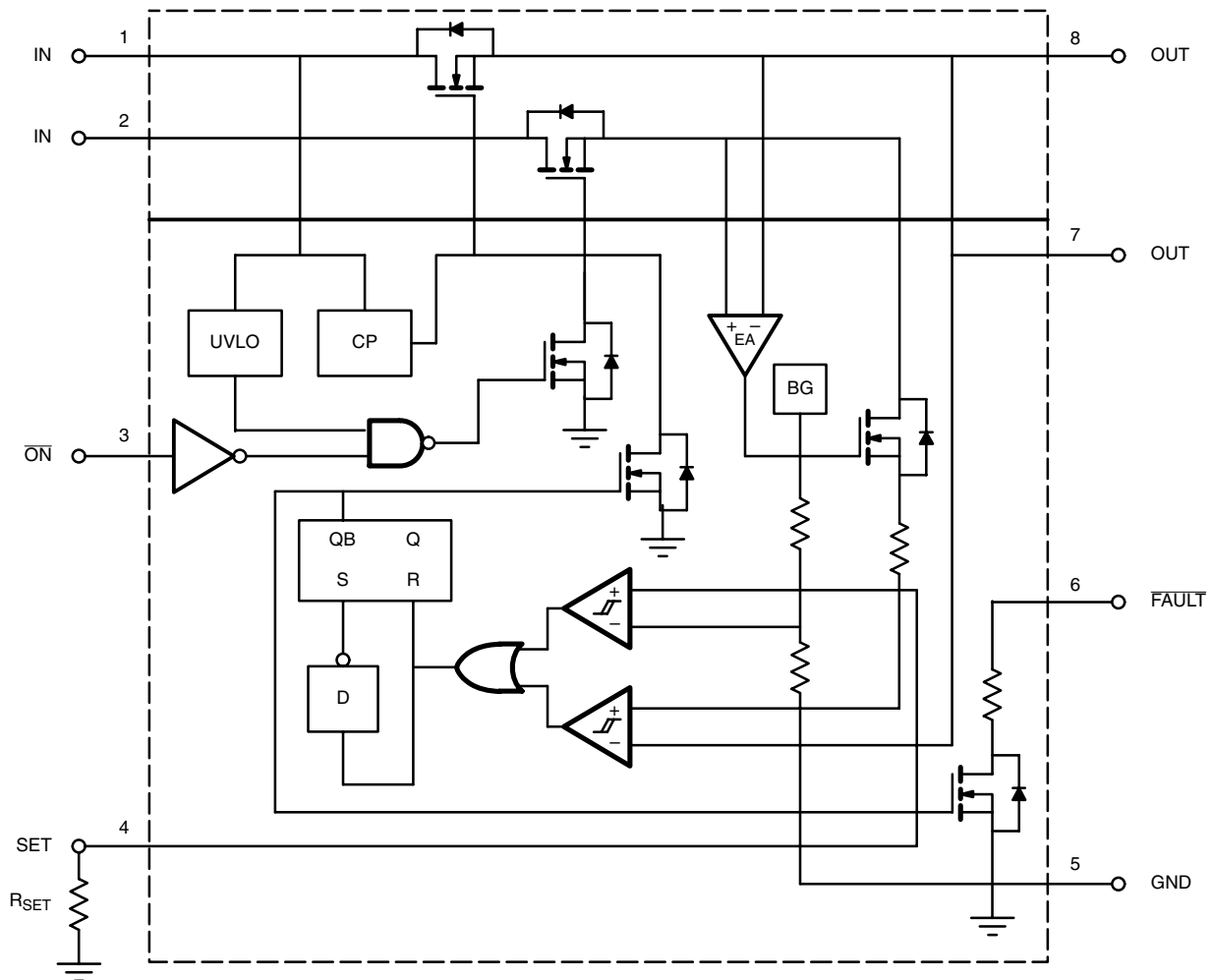


FIGURE 16.

DETAILED DESCRIPTION

The SI4779CY limits the output current to a user-defined level. When the output current passes through the main switch a fraction of this current passes through a replica switch and R_{SET} .

R_{SET} is an external sense resistor used to set the level of the over current limit; the over current limit should be set between 0.4 A and 2.4 A (see graph for R_{SET} value vs. current limit). The circuit shuts down the switch when the current flowing through the switch exceeds I_{limit} . After a short period of time, the circuit will slowly turn on the switch again. The length of time off is based on aver-

age power consumption, which is designed to be kept under 500 mW.

If the output is shorted, the circuit will go into an on-off cycle to protect the switch and to prevent the battery from draining down.

The fault output (\overline{FAULT}) goes low when the circuit is in over current limit or short circuit protection mode. A 100 k Ω pull-up resistor from \overline{FAULT} to IN provides a logic-control signal.

APPLICATIONS DIAGRAM

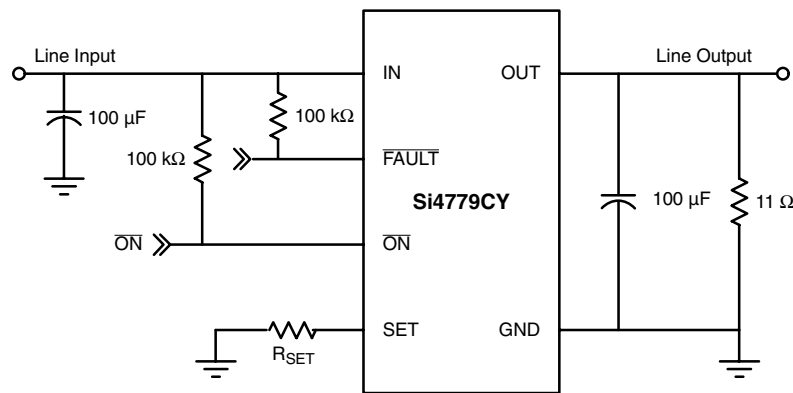


FIGURE 17.

Vishay Siliconix maintains worldwide manufacturing capability. Products may be manufactured at one of several qualified locations. Reliability data for Silicon Technology and Package Reliability represent a composite of all qualified locations. For related documents such as package/tape drawings, part marking, and reliability data, see <http://www.vishay.com/ppg?71664>.



Disclaimer

All product specifications and data are subject to change without notice.

Vishay Intertechnology, Inc., its affiliates, agents, and employees, and all persons acting on its or their behalf (collectively, "Vishay"), disclaim any and all liability for any errors, inaccuracies or incompleteness contained herein or in any other disclosure relating to any product.

Vishay disclaims any and all liability arising out of the use or application of any product described herein or of any information provided herein to the maximum extent permitted by law. The product specifications do not expand or otherwise modify Vishay's terms and conditions of purchase, including but not limited to the warranty expressed therein, which apply to these products.

No license, express or implied, by estoppel or otherwise, to any intellectual property rights is granted by this document or by any conduct of Vishay.

The products shown herein are not designed for use in medical, life-saving, or life-sustaining applications unless otherwise expressly indicated. Customers using or selling Vishay products not expressly indicated for use in such applications do so entirely at their own risk and agree to fully indemnify Vishay for any damages arising or resulting from such use or sale. Please contact authorized Vishay personnel to obtain written terms and conditions regarding products designed for such applications.

Product names and markings noted herein may be trademarks of their respective owners.