

MICRO SWITCH

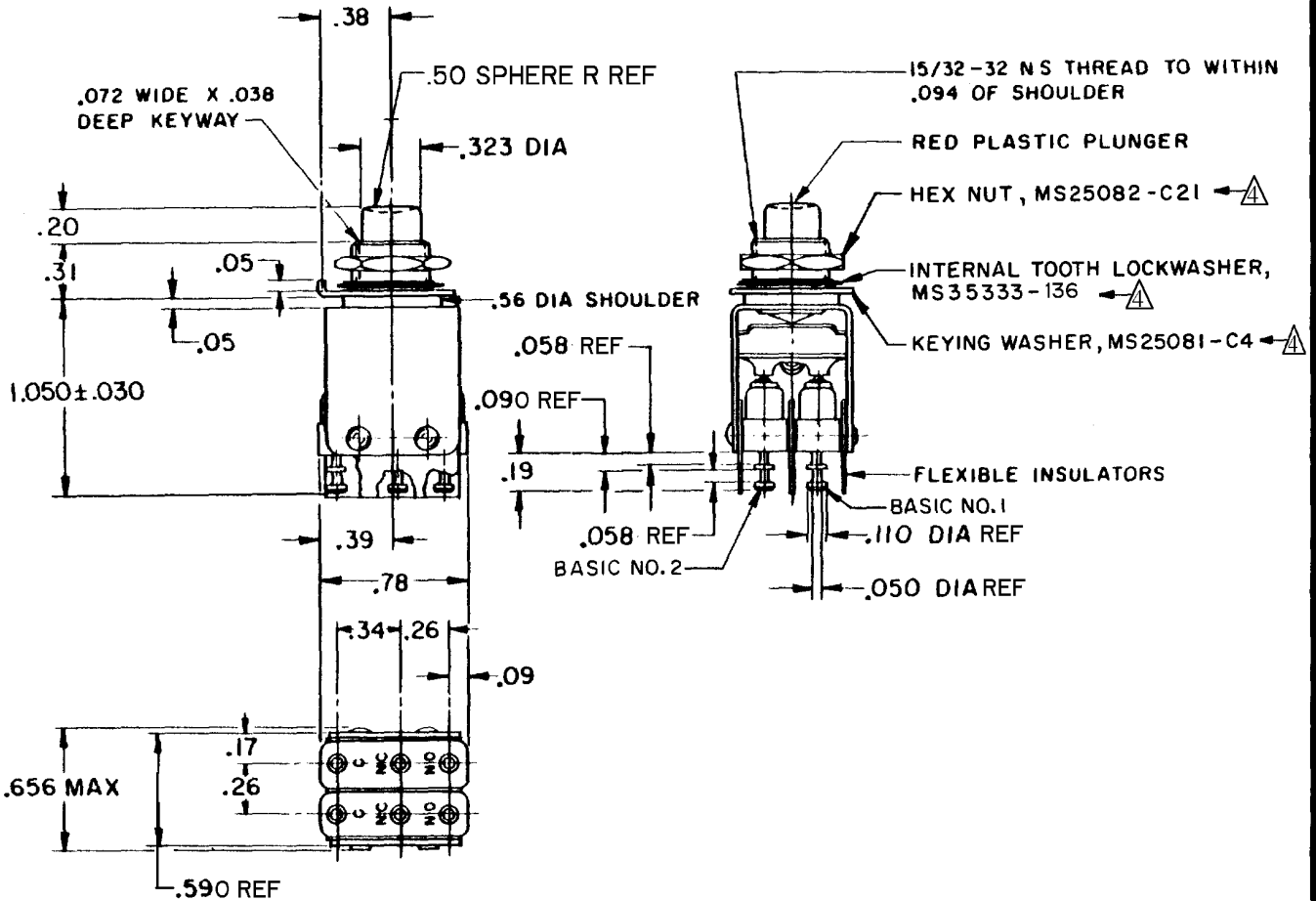
FREEMONT ILLINOIS, U.S.A.
A DIVISION OF HONEYWELL
FED. MFG. CODE 91929

ASSEMBLY - PUSHBUTTON SWITCH

CATALOG LISTING
2PB717-T2

MILITARY P/N
M8805/23-002

FORMTEK
 FO-50378-1A
 DRAWN
MBF 4 OCT 67
 CHECK
LS
 26 OCT 98
 CHECK
JAF
 26 OCT 98
 CHECK
DOUGST
 29 APR 93
 CHECK
SV
 23 FEB 06
 ISSUE
11
 DRAWING NUMBER
M
 2PB717-T2
 PAGE 1 OF 1
 RELEASE NO. PR785
 REPLACES



- NOTES**
- 1 - UNIT INCLUDES MS25085-2 TYPE BASIC SWITCH (2)
 - 2 - TERMINALS ARE PLATED FOR SOLDERING
 - 3 - SWITCHES DO NOT NECESSARILY OPERATE SIMULTANEOUSLY
- ▲ - MOUNTING HARDWARE FURNISHED UNASSEMBLED

THIS DRAWING COVERS A PROPRIETARY ITEM AND IS THE PROPERTY OF MICRO SWITCH, A DIVISION OF HONEYWELL. THIS DRAWING IS NOT TO BE COPIED OR USED WITHOUT THE APPROVAL OF MICRO SWITCH.

CHARACTERISTICS	ELECTRICAL DATA			SCALE FULL
OPERATING FORCE — — — 4.5 LB MAX	CONTACT ARRANGEMENT S P D T (2)			DO NOT SCALE PRINT
TOTAL TRAVEL — — — .100 APPROX	SEA LEVEL		50,000 FT.	UNLESS OTHERWISE NOTED DIMENSIONS ARE IN INCHES TOLERANCES ARE: ONE PLACE (.0) ±.030 TWO PLACE (.00) ±.015 THREE PLACE (.000) ±.005 ANGLES ±
	LOAD	28 VDC	115 VAC	
	RESISTIVE	5	5	
	INDUCTIVE	3	5	
	LAMP	2.4	1.5	
			28 VDC	WEIGHT .055 LB MAX