

HIGH FREQUENCY MAGNETICS

T1/E1 Octal Transformer Modules

TM01119

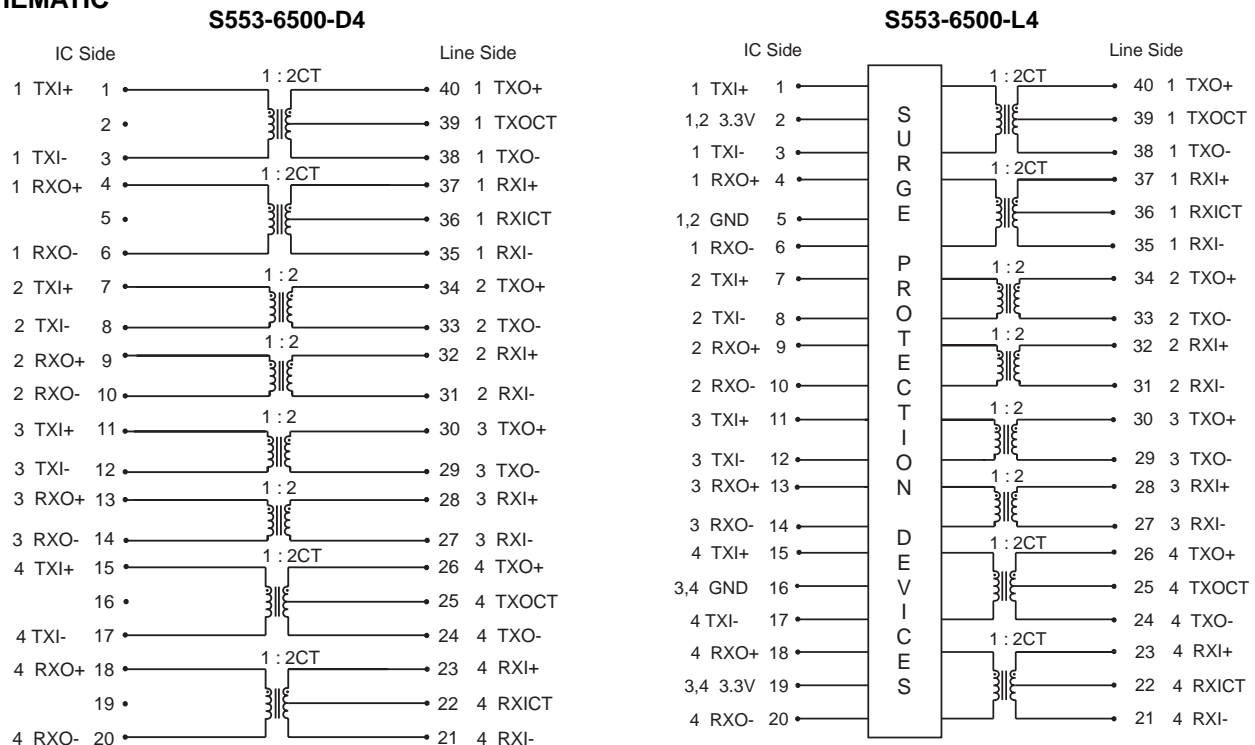
- Optimized for line interface devices listed on next page
- Eight transformers in one surface mount package
- Two modules:
S553-6500-D4 with 8 transformers
S553-6500-L4 with 8 transformers and IC surge protection devices
- Four transformers have center taps to facilitate Simplex line powering
- Meets ITU-T G.703 return loss from -40° to +85° C
- Operating temperature range -40° to +85° C
- Meets IEC 695, 2-2 flammability requirements
- PWB Process Capability: standard printed wiring board assembly techniques, total-immersion cleaning
- Reliability testing: Shock, vibration, temperature cycling, temperature - humidity - bias
- Interwinding breakdown voltage: 1500 Vrms min
- UL 1950 approved: file number E150991

ELECTRICAL SPECIFICATIONS at 25° C

Part Number	Turns Ratio ±2%		Primary Inductance at 10 kHz		Leakage Inductance at 1 MHz		DCR Ω max				Capacitance pF max	Return Loss at 102 kHz 120Ω Application ¹			
	IC : Line		mH min		μH max		IC Side		Line Side		Winding to Winding	25° C dB typ		-40 to +85° C dB min	
	TX	RX	TX	RX	TX	RX	TX	RX	TX	RX		TX	RX	TX	RX
S553-6500-D4	1 : 2	1 : 2	1.2	1.2	0.3	0.3	0.6	0.6	1.2	1.2	35	16	22	15	20
S553-6500-L4	1 : 2	1 : 2	1.2	1.2	0.3	0.3	0.6	0.6	1.2	1.2	35	16	22	15	20

1. Terminated in 36 Ω for TX and 27 Ω for RX

SCHEMATIC



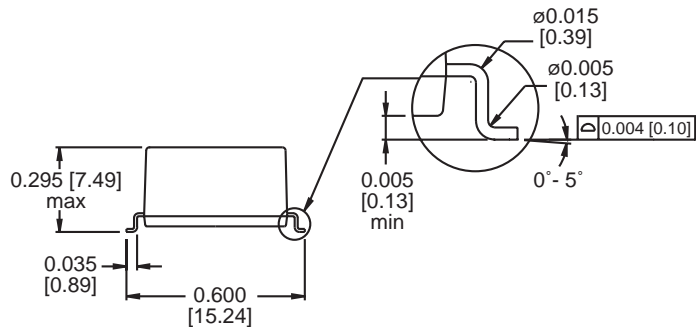
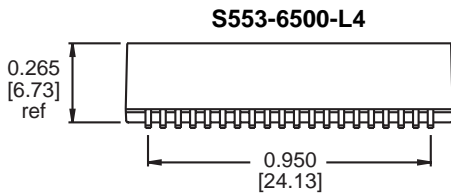
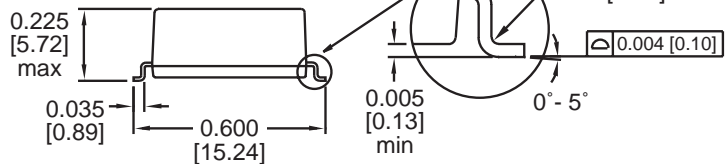
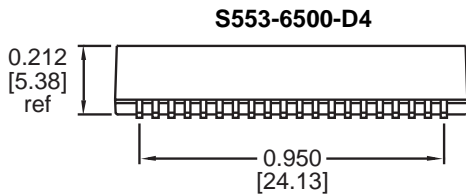
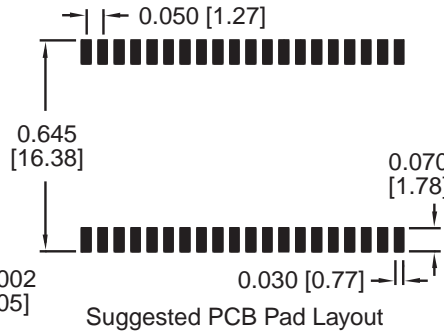
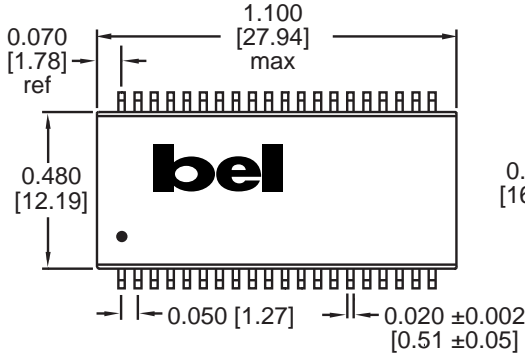
©2007 Bel Fuse Inc. Specifications subject to change without notice. 12.07

MECHANICAL

Meets or exceeds all circuit requirements for:

PMC Sierra PM4318
 Intel LXT384, LXT386
 Conexant CN8380
 Exar XRT5997, XRT81L27, XRT82L24, XRT82L34, XRT82L38

S553-6500-D4 and S553-6500-L4



Dimensions are in inches [millimeters].
 Standard dimension tolerance is ±0.005 [0.13] unless otherwise noted.

S553-6500-L4 Surge Protection Devices

TVS Diode Array: Protek PSRDA3.3-4

Number of arrays: 4

Note: Surge protection provided by the Bel module is equivalent to that advertised in the Protek PSRDA3.3-4 product specification.

Tape and Reel Packaging

44 mm wide by 24 mm pitch; 13 inch OD, 6 inch ID

200 modules per reel, maximum

Meets ANSI/EIA 481-2 Carrier Tape Standards - JEDEC SO Package

©2007 Bel Fuse Inc. Specifications subject to change without notice. 12.07

CORPORATE

Bel Fuse Inc.
 206 Van Vorst Street
 Jersey City, NJ 07302
 Tel 201-432-0463
 Fax 201-432-9542
 www.belfuse.com

FAR EAST

Bel Fuse Ltd.
 8F / 8 Luk Hop Street
 San Po Kong
 Kowloon, Hong Kong
 Tel 852-2328-5515
 Fax 852-2352-3706
 www.belfuse.com

EUROPE

Bel Fuse Europe Ltd.
 Preston Technology Management Centre
 Marsh Lane, Suite G7, Preston
 Lancashire, PR1 8UD, U.K.
 Tel 44-1772-556601
 Fax 44-1772-888366
 www.belfuse.com