

10BASE-T LAN MAGNETICS

Quad Transformer Modules

LM00501

- Transformer turns ratio RX 1 : 1 and TX 1CT : 1.41CT
- Filterless quad, four-port designs with common footprint and pinouts
- Optimized for use with stackable RJ-45 connectors
- Designs utilize standard 40 pin SMD packaging
- Low profile, surface mount packaging rated to 225° C peak IR reflow temperature
- Quad design offers best space, performance and cost efficiency
- Operating temperature 0° to 70° C
- Minimum interwinding breakdown voltage of 1500 Vrms

ELECTRICAL SPECIFICATIONS AT 25° C

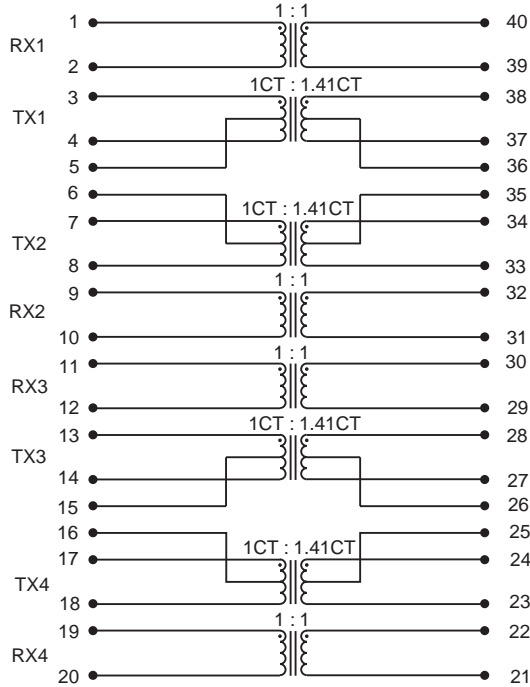
| Part Number | OCL Inductance μ H min | Insertion Loss dB max | Return Loss dB min | Common to Common Mode Rejection dB min | | Crosstalk dB min |
|--------------------------------------------|----------------------------|-----------------------|--------------------|----------------------------------------|--------|------------------|
| | | 1MHz to 10MHz | 1MHz to 10MHz | 10MHz to 30MHz | 100MHz | 1MHz to 10MHz |
| Transformers Only | | | | | | |
| S553-2940-02 | 100 | -1.0 | -18 | --- | --- | -40 |
| S553-5999-54 | 100 | -1.0 | -18 | --- | --- | -40 |
| Transformers and Common Mode Chokes | | | | | | |
| S553-2940-01 | 100 | -1.0 | -18 | -40 | -30 | -40 |
| S553-2940-03 | 100 | -1.0 | -18 | -40 | -30 | -40 |
| S553-2940-04 | 100 | -1.0 | -18 | -40 | -30 | -40 |
| S553-2940-08 | 100 | -1.0 | -18 | -40 | -30 | -40 |
| S553-2940-09 | 100 | -1.0 | -18 | -40 | -30 | -40 |
| S553-5999-38 | 100 | -1.0 | -18 | -40 | -30 | -40 |

©2001 Bel Fuse Inc. Specifications subject to change without notice. 09.01

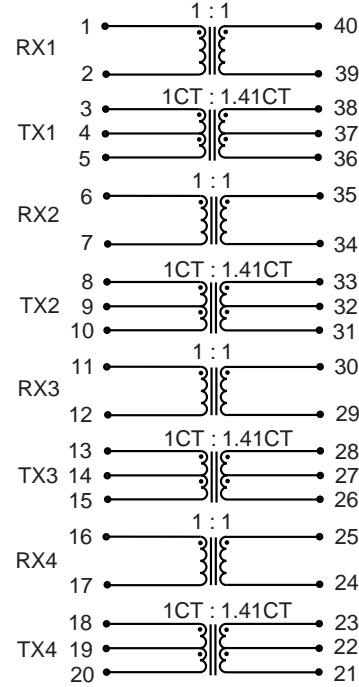
LM00501

SCHEMATICS

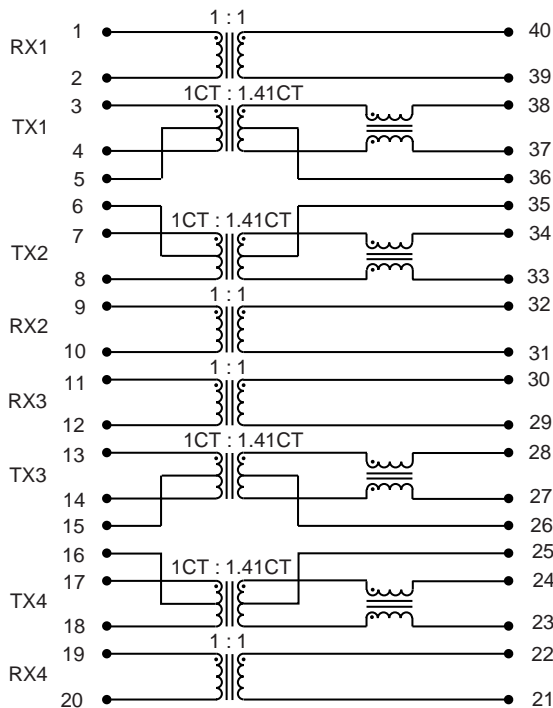
S553-2940-02



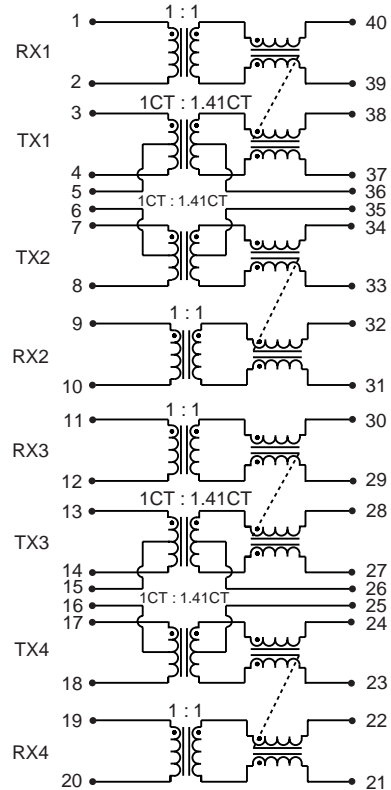
S553-5999-54



S553-2940-01



S553-2940-03



©2001 Bel Fuse Inc. Specifications subject to change without notice. 09.01

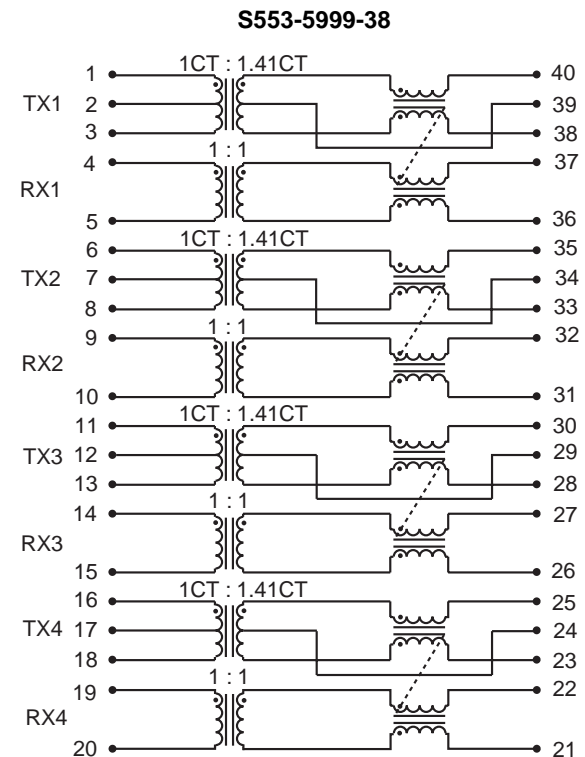
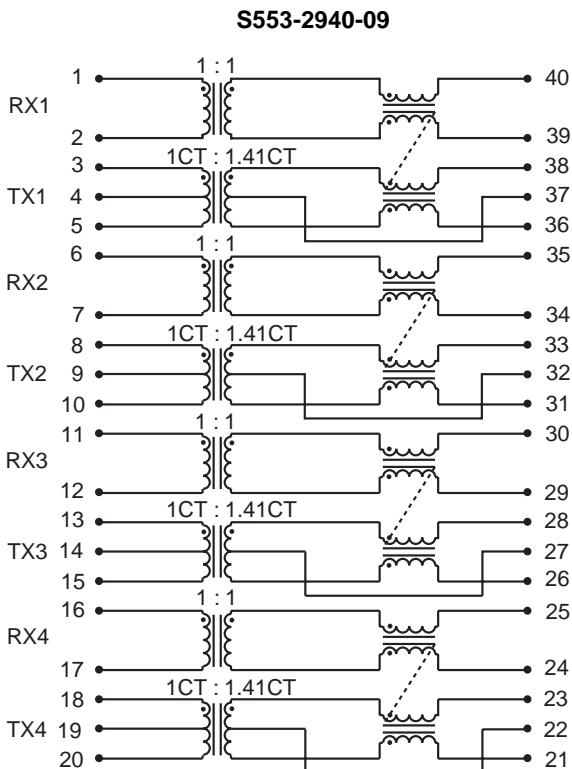
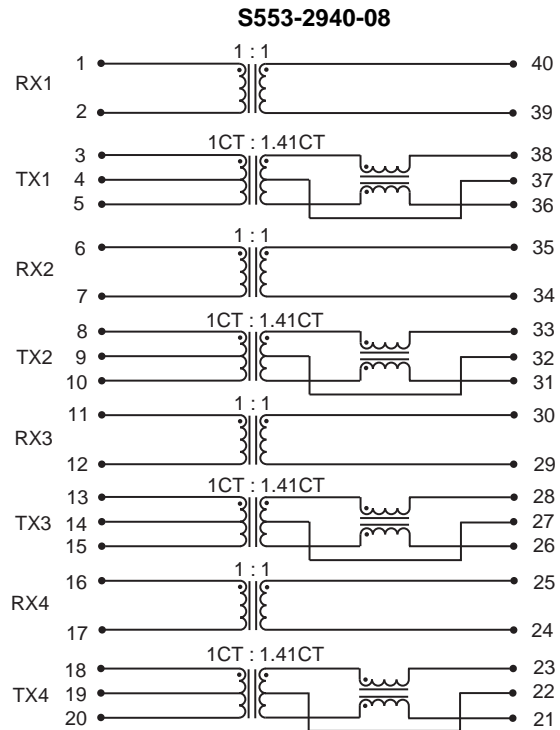
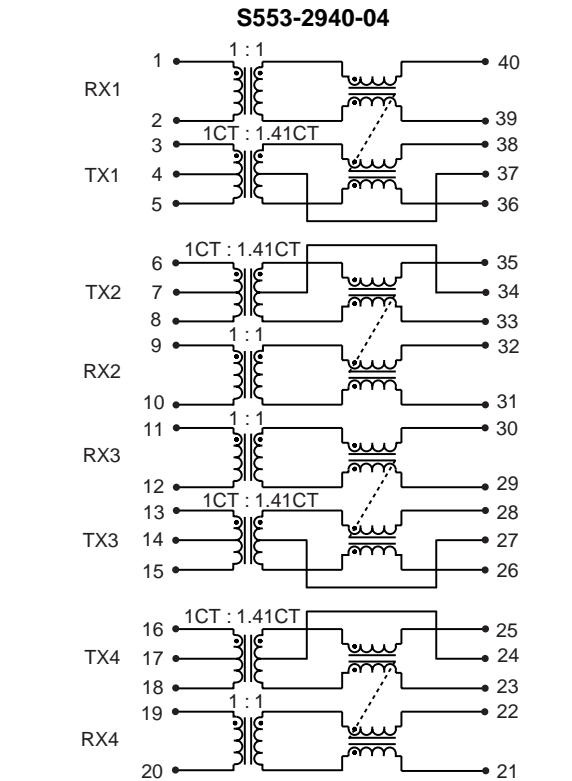
Bel Fuse Inc. 206 Van Vorst Street, Jersey City, NJ 07302 • Tel 201-432-0463 • Fax 201-432-9542 • www.belfuse.com

10BASE-T LAN MAGNETICS

Quad Transformer Modules

LM00501

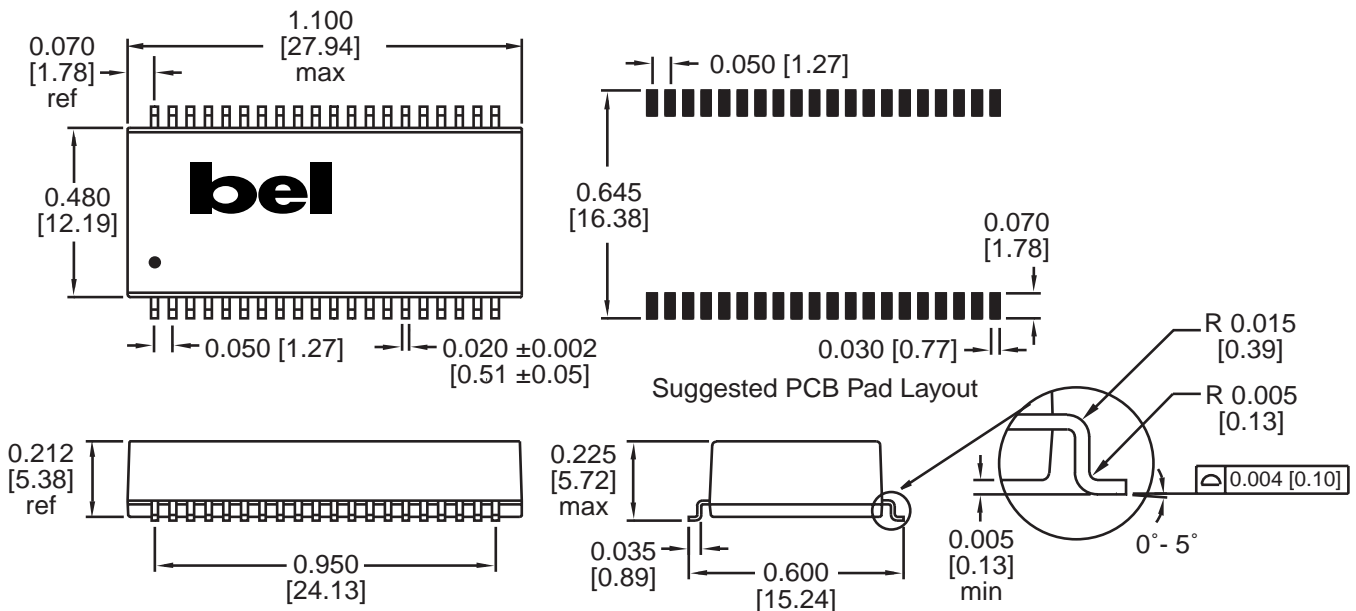
SCHEMATICS



©2001 Bel Fuse Inc. Specifications subject to change without notice. 09.01

MECHANICAL

- S553-2940-01
- S553-2940-02
- S553-2940-03
- S553-2940-04
- S553-2940-08
- S553-2940-09
- S553-5999-38
- S553-5999-54



Dimensions are in inches [millimeters].
Standard dimension tolerance is ± 0.005 [0.13] unless otherwise noted.

CORPORATE

Bel Fuse Inc.
206 Van Vorst Street
Jersey City, NJ 07302
Tel 201-432-0463
Fax 201-432-9542
www.belfuse.com

FAR EAST

Bel Fuse Ltd.
8F / 8 Luk Hop Street
San Po Kong
Kowloon, Hong Kong
Tel 852-2328-5515
Fax 852-2352-3706
www.belfuse.com

EUROPE

Bel Fuse Europe Ltd.
Preston Technology Management Centre
Marsh Lane, Suite G7, Preston
Lancashire, PR1 8UD, U.K.
Tel 44-1772-556601
Fax 44-1772-888366
www.belfuse.com