

DSL Magnetics

EP-7 Through-Hole Inductors

- Designed with two well balanced and coupled windings for use in ADSL applications where filtering is required
- Operating temperature range: -40°C to $+85^{\circ}\text{C}$
- Meets IEC 695, 2-2 flammability requirements
- PWB Process Capability: standard printed wiring board assembly techniques, total-immersion cleaning
- Reliability testing: shock, vibration, temperature cycling, temperature - humidity - bias

ELECTRICAL SPECIFICATIONS AT 25°C

Part Number	Turns Ratio $\pm 2\%$	Inductance		DCR Ω max		Dielectric Rating ²
	(1-2) : (3-4)	(1-2)	(1-4) ⁴	(1-2)	(3-4)	between (1-2) & (3-4)
0560-6600-51	1 : 1 ¹	82 - 94 μH ¹	325 - 375 μH ¹	0.600	0.600	1500
0560-6600-53	1 : 1 ³	468 - 540 μH ³	1.87 - 2.15 mH ³	2.3	2.3	1500

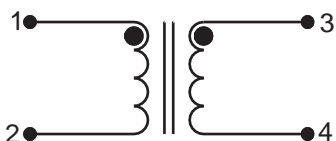
- measured at 100 kHz, 0.1 Vrms
- measured at 50 Hz or 60 Hz
- measured at 10 kHz, 0.1 Vrms
- connect terminals 2 to 3

Part Number	Turns Ratio	Inductance ¹ mH		DCR Ω max		Dielectric Rating ³ Vac min
	(1-3) : (4-6)	(1-3)	(1-6) ²	(1-3)	(4-6)	between 1 & core
0560-6100-20	1 : 1	0.50 ($\pm 4\%$)	2.0 ($\pm 4\%$)	1.65	1.65	600

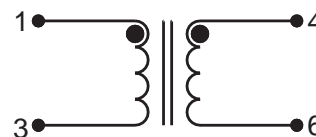
- measured at 10 kHz, 0.1 Vrms
- connect terminals 3 to 4
- connect terminals 3 to 6

SCHEMATIC

0560-6600-51
0560-6600-53



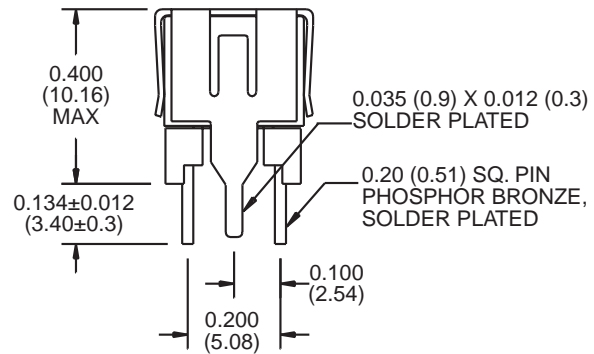
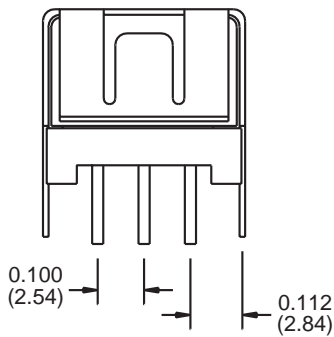
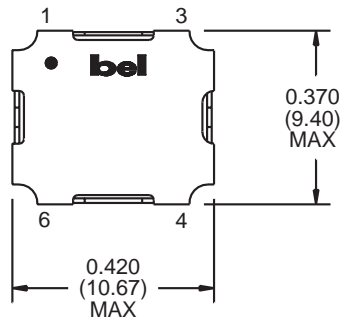
0560-6100-20



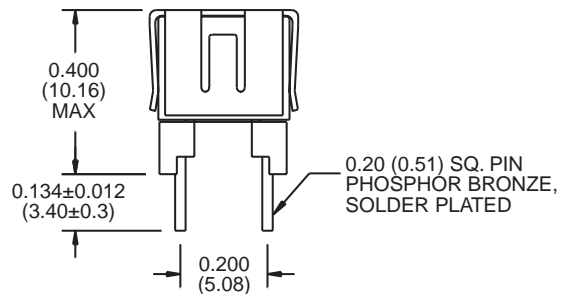
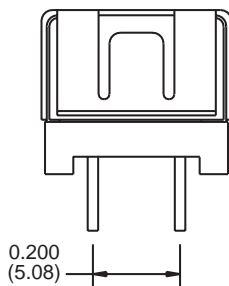
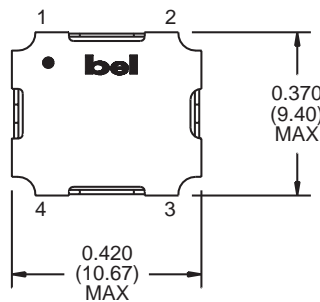
TM00330

MECHANICAL

0560-6100-20



0560-6600-51
0560-6600-53



©2000 Bel Fuse Inc. Specifications subject to change without notice. 07.00

CORPORATE

Bel Fuse Inc.
198 Van Vorst Street
Jersey City, NJ 07302
Tel 201-432-0463
Fax 201-432-9542
www.belfuse.com

T3-78

FAR EAST

Bel Fuse Ltd.
8F / 8 Luk Hop Street
San Po Kong
Kowloon, Hong Kong
Tel 852-2328-5515
Fax 852-2352-3706
www.belfuse.com

EUROPE

Bel Fuse Europe Ltd.
Preston Technology Management Centre
Marsh Lane, Suite G7, Preston
Lancashire, PR1 8UD, U.K.
Tel 44-1772-556601
Fax 44-1772-888366
www.belfuse.com