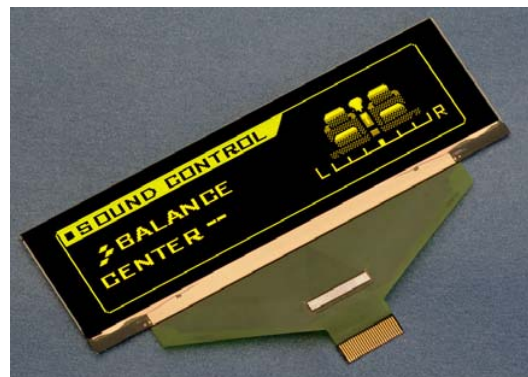


OLED DISPLAY SOLUTIONS

Pictiva™ 3.2-inch 256x64 OLED display



OS256064PS32MxxA10

Features

- Long-lifetime OLED
- 180° viewing angle
- Fast response, video capable
- High contrast
- Wide operating temperature range
- RoHS compliant

Benefits

- Ease of readability
- No backlight required
- Low power consumption
- Single IC

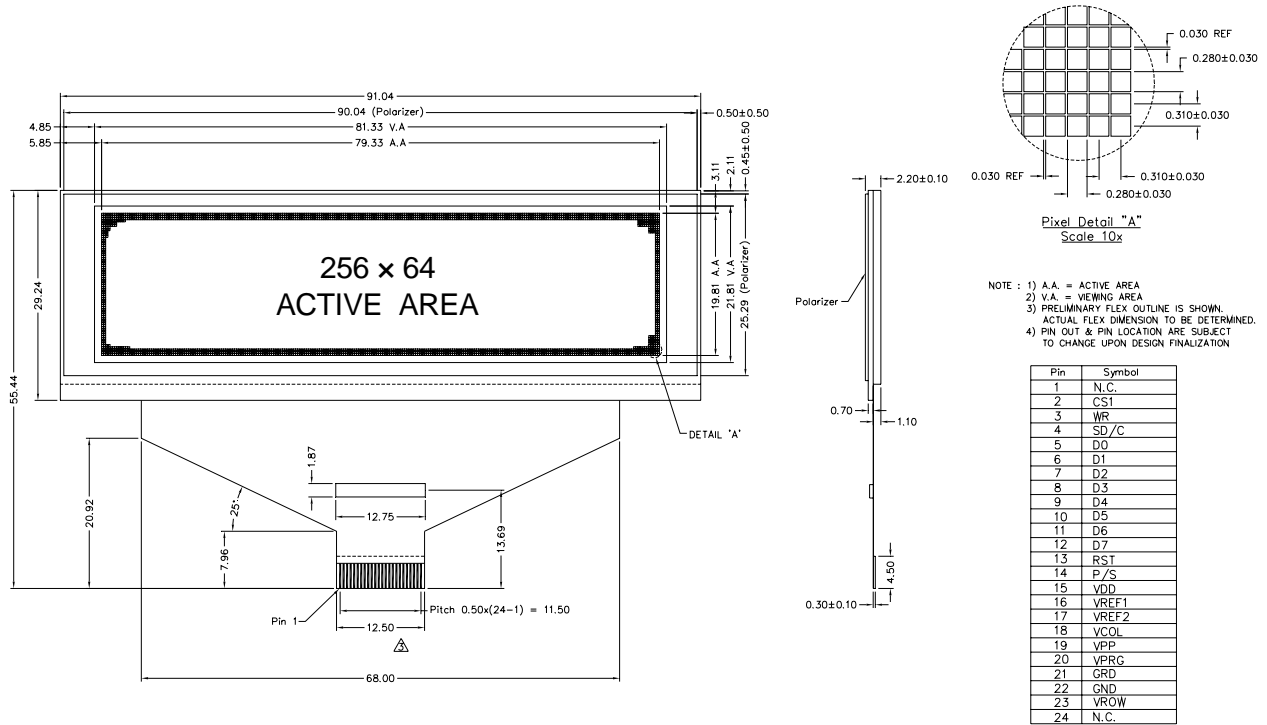
Applications

- Audio/Video
- Entertainment
- Industrial
- Medical
- Instruments
- Automotive

Specifications

Display Format	256 Columns x 64 Rows				
Diagonal	3.2 inch				
Pixel Pitch	0.310 (W) x 0.310 (H) mm				
Color, Luminance & lifetime	Color	CIE x	CIE y	Cd/m ²	Lifetime hrs, 25°C
	Elegance Yellow	0.46	0.54	75 @12v	55K
				100 @15v	40K
	Spring Green	0.39	0.58	100 @12v	19K
150 @15V				13K	
Grayscale	4 bit				
Active Area	79.33 (W) X 19.81 (H) mm				
Module Size	91.04 (W) X 55.44 (H) X 2.2 mm (T) including flex not folded				
Viewing Angle	180°				
Contrast Ratio	2000:1 dark ambient				
Temperature	Elegance Yellow	-30°C to 70°C			
	Spring Green	-40°C to 85°C			
Logic Voltage	2.4V – 3.5V				
Supply Voltage	12V or 15V				
Power Cons.	0.05 mW (sleep mode)				
Interface	Parallel/Serial				
Driver	STV8105				
Weight	12.5g typical				

Mechanical Dimensions and Pin Description



Ordering Information

Part Number	Description
OS256064PS32MY0A10	Pictiva™ 3.2 inch 256x64 OLED Display, Elegance Yellow
OS256064PS32MG0A10	Pictiva™ 3.2 inch 256x64 OLED Display, Spring Green

Contact Information

OSRAM Opto Semiconductors

Asia : +60(0) 4 631-8100 prasia@osram-os.com
 Europe : +49(0) 941-850-3535 pr@osram-os.com
 North America : +1-888-446-7726 ext.4310 info@osram-os.com
 Web : www.pictiva.com

©2005 OSRAM Opto Semiconductors. OSRAM, the OSRAM logo and Pictiva are trademarks and/or service marks of OSRAM Opto Semiconductors, Inc. Other brands are trademarks of their respective holders. OSRAM hold a license from Cambridge Display Technology to manufacture and sell polymer light emitting display. The specifications contained in this document are subjected to change without notice. OSRAM Opto Semiconductors, Inc. assumes no responsibility or liability arising out of the application or use of any legal information, product or service described herein except as expressly agreed to in writing by OSRAM Opto Semiconductors, Inc. Customers are advised to obtain the latest version of the device specification before relying on any published information and before placing orders for products or services. All right reserved
 Lit# 517DS-1 updated on 12/22/05