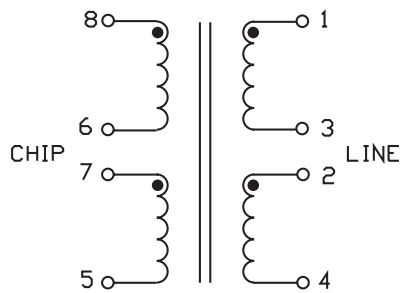


## SHDSL MAGNETICS

S560-6600-JJ

### SCHEMATIC



INSERTION LOSS	0.8 dB MAX @ 100kHz
LONGITUDINAL BALANCE:	55 dB MIN
	20kHz TO 500kHz PER ITU METHOD (L->M)

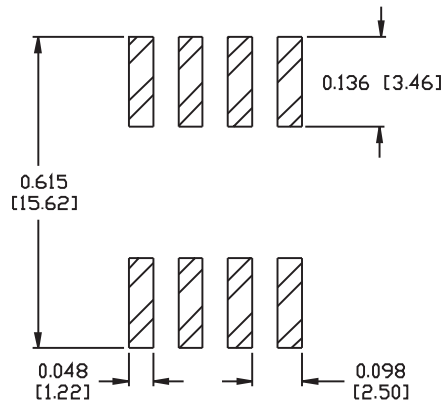
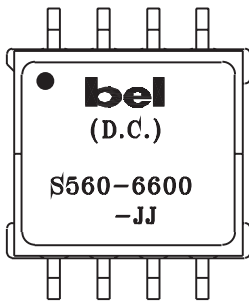
### ELECTRICAL CHARACTERISTICS (@25°C)

NOMINAL TURNS RATIO:	
(8-5) : (1-4)	1 : 5.4
CONNECT TERMINALS 2 TO 3 & 6 TO 7	
DC RESISTANCE:	
(1-4)	4.80 Ω MAX
(8-5)	0.53 Ω MAX
CONNECT 2 TO 3 AND 6 TO 7	
INDUCTANCE @ 10 kHz, 0.1 V <sub>rms</sub> :	
(1-4) @ 0AMP DC & 20 mA DC	3.2 mH ±5%
CONNECT TERMINALS 2 TO 3	
MAXIMUM LEAKAGE INDUCTANCE:	
(1-4)	16 μH
CONNECT TERMINALS 2 TO 3 & 6 TO 7	
SHORT TERMINALS 5, 6, 7 & 8	
MINIMUM DIELECTRIC RATING:	
BETWEEN (1-4) & (8-5)	1500 V <sub>rms</sub>
CONNECT TERMINALS 2 TO 3 & 6 TO 7	
BETWEEN (1-3) & (2-4) FOR 1 MINUTE	600 V <sub>rms</sub>
HARMONIC DISTORTION:	-78 dB MAX
4 V <sub>rms</sub> @ 5kHz FUNDAMENTAL ACROSS LINE (1-4)	
WITH R <sub>s</sub> = 135Ω AND R <sub>LOAD</sub> = 4.6Ω AT CHIP SIDE (8-5)	
DESIGNED TO COMPLY WITH GR1089, UL1950, AND EN60950	
SUPPLEMENTARY INSULATION WITH 250 VAC WORKING VOLTAGE	
OPERATING TEMPERATURE RANGE:	-40°C TO +85°C

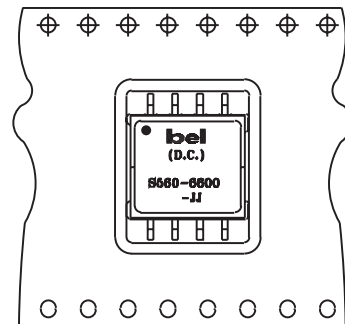


## SHDSL MAGNETICS

S560-6600-JJ

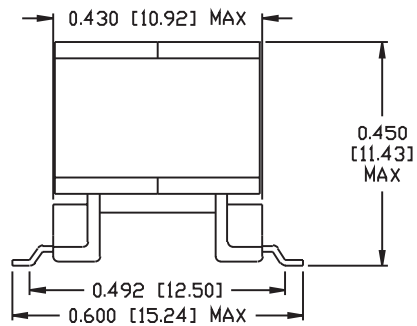
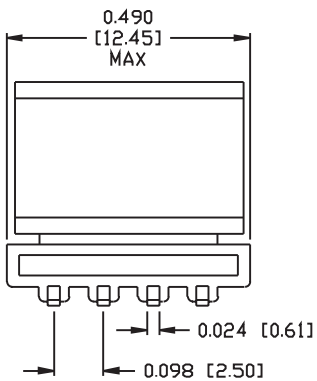


SUGGESTED PAD LAYOUT



USER FEED DIRECTION

ORIENTATION OF COMPONENT INSIDE POCKET



TAPE WIDTH	32MM
POCKET PITCH	24MM
QUANTITY OF COMPONENTS PER REEL	200
PLASTIC REEL OUTER DIAMETER	13 INCHES
PLASTIC REEL HUB DIAMETER	4 INCHES
COMPLY WITH EIA 481-3	

©2005 Bel Fuse Inc. Specifications subject to change without notice. 07.05

Bel Fuse Inc. 206 Van Vorst Street, Jersey City, NJ 07302 • Tel 201-432-0463 • Fax 201-432-9542 • www.belfuse.com