

Octane & G24 ADSL Annex A/C/H

Conexant



S560-6600-JA

- Designed to meet the requirements of UL1950 and EN60950 basic insulation with 250 VAC working voltage
- UL file number E169987, BABT certificate number NC011559, CB certificate number 14210
- Minimum interwinding breakdown voltage of 1875 Vrms for 1 minute between line and IC
- Minimum interwinding breakdown voltage of 600 Vrms for 1 minute between pins 1 and 2
- Operating and storage temperature range: -40° to +85° C
- Meets IEC 695, 2-2 flammability requirements
- PWB Process Capability: standard printed wiring board assembly techniques, total-immersion cleaning
- Reliability testing: shock, vibration, temperature cycling, temperature - humidity - bias
- All specifications must be met for any DC unbalance current up to 100mA max in the line side

ELECTRICAL SPECIFICATIONS AT 25° C

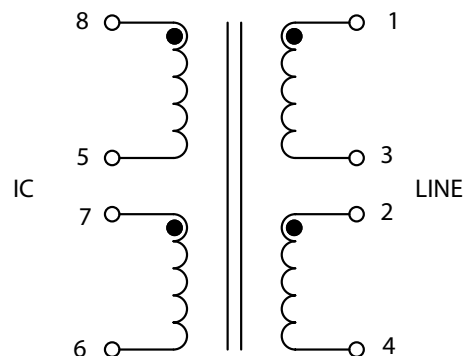
Part Number	Turns Ratio ±2%	Inductance ¹ µH ±6.7%	Leakage Inductance ² µH	DCR Ω max		Interwinding Capacitance ³ pF max	Longitudinal Balance ⁴ dB max	Harmonic Distortion ⁴ dB max
	Line : IC	(1 - 4)	(1 - 4)	IC Side	Line Side	Line : IC	20kHz - 2.2MHz	12Vpp 150kHz
S560-6600-JA	0.95 : 1	750	6 -10	1.5	1.5	20	-45	-85

All measurements are made with pin 2 connected to pin 3 and pin 5 connected to pin 7 except for breakdown voltage between pin 1 and 2.

- Inductance measured at 10 kHz, 0.1 Vac
- Leakage inductance measured at 100 kHz, 0.1 Vac
- Interwinding capacitance measured at 10 kHz, 1.0 Vac
- Measured with line impedance of 100 Ω and IC impedance of 110.8 Ω

SCHEMATIC

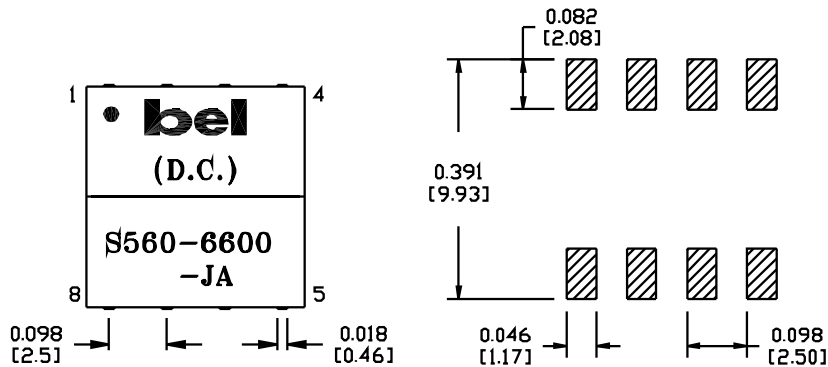
S560-6600-JA



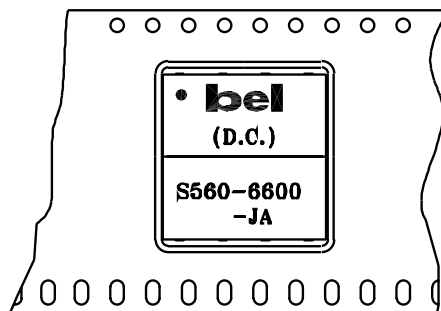
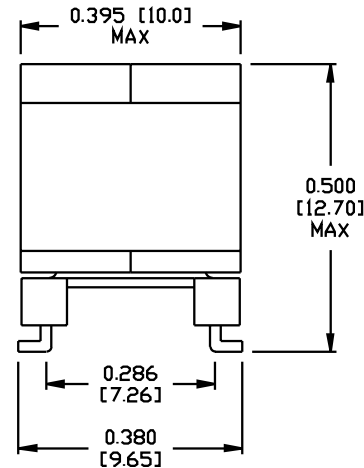
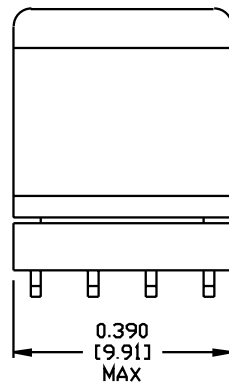
S560-6600-JA

MECHANICAL

S560-6600-JA



SUGGESTED PAD LAYOUT



Tape and Reel Packaging

24 mm wide by 20 mm pitch; 13 inch OD, 4 inch ID
200 components per reel, maximum
Meets ANSI/EIA 481-2 Carrier Tape Standards

©2004 Bel Fuse Inc. Specifications subject to change without notice. 12.04

CORPORATE

Bel Fuse Inc.
206 Van Vorst Street
Jersey City, NJ 07302
Tel 201-432-0463
Fax 201-432-9542
www.belfuse.com

FAR EAST

Bel Fuse Ltd.
8F / 8 Luk Hop Street
San Po Kong
Kowloon, Hong Kong
Tel 852-2328-5515
Fax 852-2352-3706
www.belfuse.com

EUROPE

Bel Fuse Europe Ltd.
Preston Technology Management Centre
Marsh Lane, Suite G7, Preston
Lancashire, PR1 8UD, U.K.
Tel 44-1772-556601
Fax 44-1772-888366
www.belfuse.com