

10/100BASE-T LAN MAGNETICS

Single Port Transformer Modules

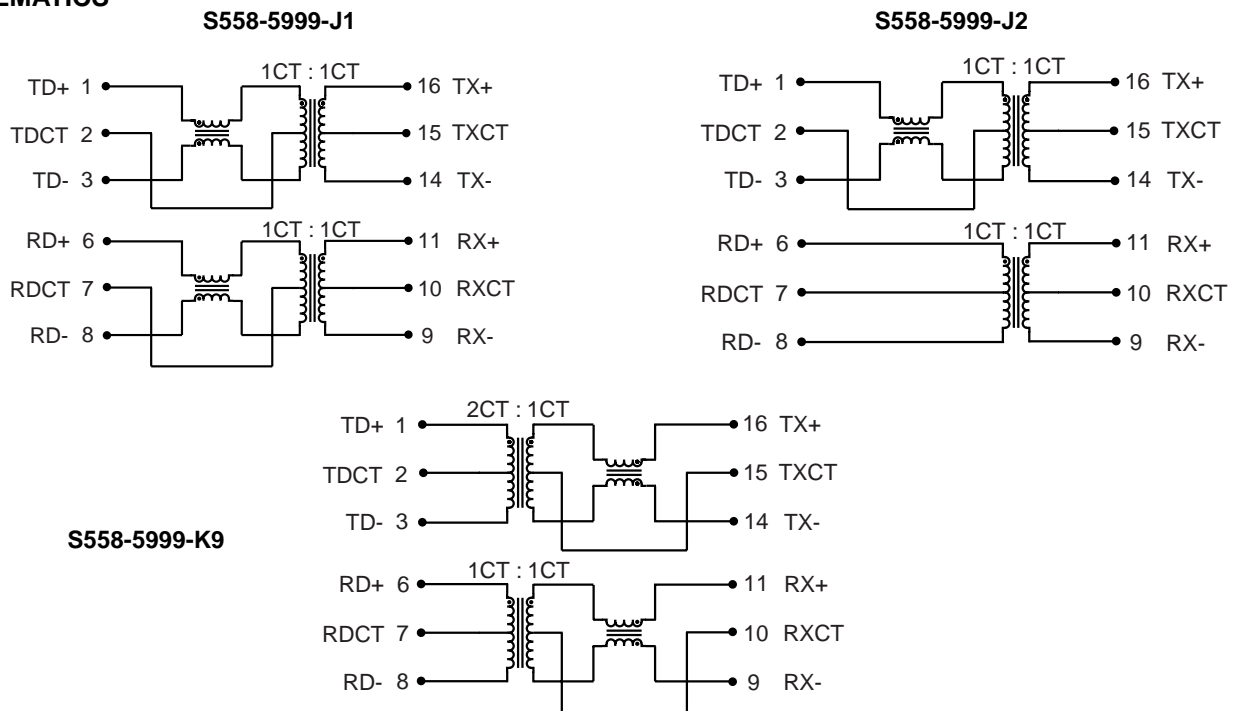
LM00406

- Meets all IEEE 802.3 standards including 350µH with 8mA bias
- Low profile, surface mount packaging rated to 225° C peak IR reflow temperature
- Small form factor for board layout efficiency
- Operating temperature 0° to 70° C
- Minimum interwinding breakdown voltage of 1500 Vrms

ELECTRICAL SPECIFICATIONS AT 25° C

Part Number	Turns Ratio		Insertion Loss dB max	Return Loss dB min			Common to Differential Mode Rejection dB min	Common to Common Mode Rejection dB min	Crosstalk dB min			
	TX	RX		100kHz to 100MHz	100kHz to 30MHz	30MHz to 60MHz			60MHz to 80MHz	100kHz to 100MHz	1MHz	30MHz
S558-5999-J1	1CT : 1CT	1CT : 1CT	-1.0	-16	16 - 20log (f/30MHz)	-10	-40	-30	-65	-55	-45	-35
S558-5999-J2	1CT : 1CT	1CT : 1CT	-1.0	-16	16 - 20log (f/30MHz)	-10	-38	-30	-60	-50	-40	-30
S558-5999-K9	2CT : 1CT	1CT : 1CT	-1.1	-16	16 - 20log (f/30MHz)	-10	-40	-30	-65	-55	-45	-40
S558-5999-N3	1CT : 1.41CT	1CT : 1CT	-2.0	-16	16 - 20log (f/30MHz)	-10	-40	-30	-65	-55	-45	-35
S558-5999-T7	1CT : 1CT	1CT : 1CT	-1.0	-18	18 - 20log (f/30MHz)	-12	-40	-30	-65	-55	-45	-35
S558-5999-U7	1CT : 1CT	1CT : 1CT	-1.0	-18	18 - 20log (f/30MHz)	-12	-40	-30	-65	-55	-45	-35

SCHEMATICS

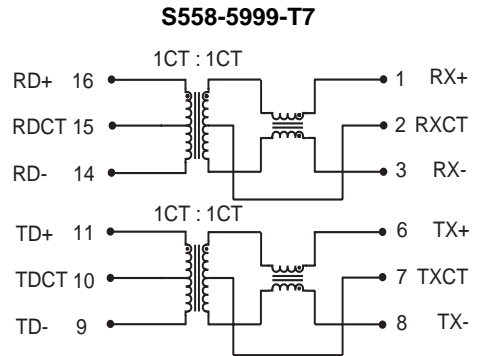
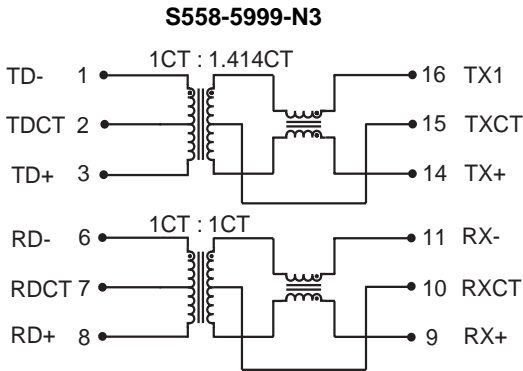


©2006 Bel Fuse Inc. Specifications subject to change without notice. 03.06

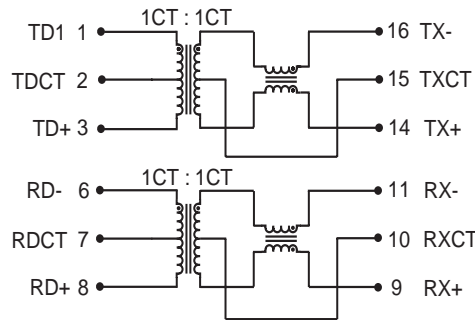
Bel Fuse Inc. 206 Van Vorst Street, Jersey City, NJ 07302 • Tel 201-432-0463 • Fax 201-432-9542 • www.belfuse.com

LM00406

SCHEMATICS

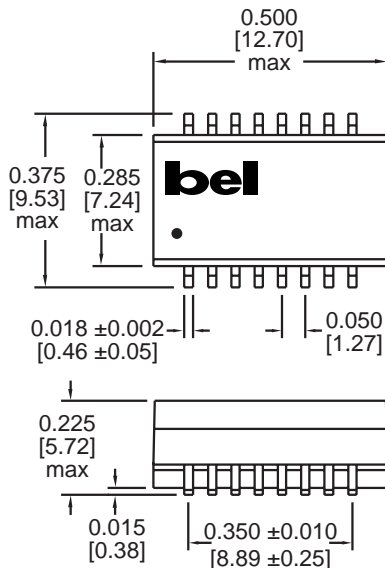


S558-5999-U7

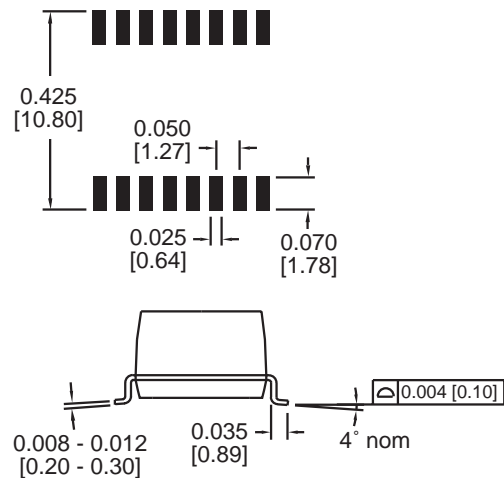


MECHANICAL

- S558-5999-J1
- S558-5999-J2
- S558-5999-K9
- S558-5999-N3
- S558-5999-T7
- S558-5999-U7



Suggested PCB Pad Layout



Dimensions are in inches [millimeters].

Standard dimension tolerance is ± 0.005 [0.13] unless otherwise noted.

©2006 Bel Fuse Inc. Specifications subject to change without notice. 03.06

CORPORATE

Bel Fuse Inc.
206 Van Vorst Street
Jersey City, NJ 07302
Tel 201-432-0463
Fax 201-432-9542
www.belfuse.com

L4-18

FAR EAST

Bel Fuse Ltd.
8F / 8 Luk Hop Street
San Po Kong
Kowloon, Hong Kong
Tel 852-2328-5515
Fax 852-2352-3706
www.belfuse.com

EUROPE

Bel Fuse Europe Ltd.
Preston Technology Management Centre
Marsh Lane, Suite G7, Preston
Lancashire, PR1 8UD, U.K.
Tel 44-1772-556601
Fax 44-1772-888366
www.belfuse.com