

# 10BASE-T LAN MAGNETICS

## PCMCIA Modules



LM00507

- Low profile .094" height, transfer molded, Type II surface mount packaging
- Surface mount packaging rated to 235° C peak IR reflow temperature
- Operating temperature 0° to 70° C
- Designs include impedance matching resistor networks, receive and transmit isolation transformers and common mode chokes for improved EMI suppression
- Conforms to IEEE 802.3i specifications
- Minimum interwinding breakdown voltage of 1500 Vrms

### ELECTRICAL SPECIFICATIONS AT 25° C

Part Number	Insertion Loss dB typ	Attenuation dB min			Return Loss dB min	Crosstalk dB min	Matched IC Manufacturer
	1MHz to 10MHz	30MHz	50MHz	100MHz	1MHz to 10MHz	1MHz to 10MHz	
S556-9003-05	-5.0	-30	-35	-40	-18	-40	National
S556-9003-06	-5.0	-30	-35	-40	-18	-40	Fujitsu
S556-9003-07	-5.0	-30	-35	-40	-18	-40	Lucent
S556-9003-08	-5.0	-30	-35	-40	-18	-40	Intel
S556-9003-09	-5.0	-30	-35	-40	-18	-40	Fujitsu
S556-9003-10	-5.0	-30	-35	-40	-18	-40	SMSC
S556-9003-11	-5.0	-30	-35	-40	-18	-40	Various
S556-9003-12	-5.0	-30	-35	-40	-18	-40	NCR
S556-9003-13	-5.0	-30	-35	-40	-18	-40	AMD
S556-9003-14	-5.0	-30	-35	-40	-18	-40	AMD
S556-9003-15	-5.0	-30	-35	-40	-18	-40	National
S556-9003-30	-5.0	-30	-35	-40	-18	-40	Lucent
S556-9003-33	-5.0	-30	-35	-40	-18	-40	Symbios Logic
S556-9003-34	-5.0	-30	-35	-40	-18	-40	National
S556-9003-36	-5.0	-30	-35	-40	-18	-40	Motorola
S556-9003-54	-5.0	-30	-35	-40	-18	-40	DEC

©2000 Bel Fuse Inc. Specifications subject to change without notice. 01.00

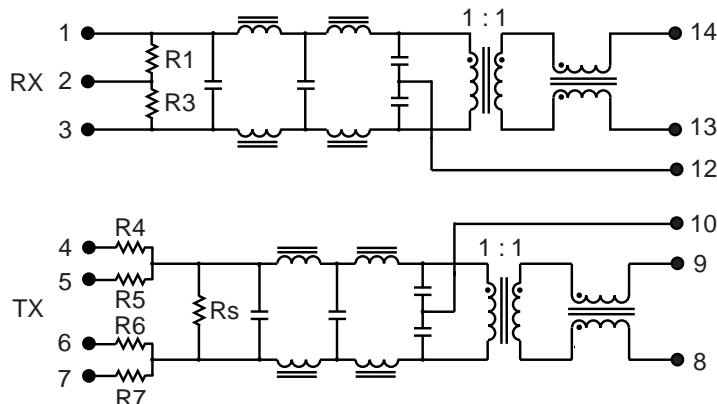
Bel Fuse Inc. 206 Van Vorst Street, Jersey City, NJ 07302 • Tel 201-432-0463 • Fax 201-432-9542 • www.belfuse.com

### RESISTOR TABLE

Part Number	R1	R2	R3	R4	R5	R6	R7	Rs
	Pin 1	Pin 2	Pin 3	Pin 4	Pin 5	Pin 6	Pin 7	Rshunt
S556-9003-05	49.9	---	49.9	274	66.5	66.5	274	820
S556-9003-06	49.9	---	49.9	15	120	15	120	---
S556-9003-07	49.9	---	49.9	68.1	287	287	68.1	---
S556-9003-08	49.9	---	49.9	61.9	196	61.9	196	---
S556-9003-09	49.9	---	49.9	287	49.9	49.9	287	---
S556-9003-10	49.9	---	49.9	316	53.6	53.6	316	---
S556-9003-11	---	---	---	---	---	---	---	---
S556-9003-12	49.9	---	49.9	243	68.1	243	68.1	680
S556-9003-13	53.6	316	53.6	316	49.9	---	49.9	---
S556-9003-14	61.9	422	61.9	422	49.9	---	49.9	1.21K
S556-9003-15	49.9	---	49.9	274	68.1	68.1	274	806
S556-9003-30	49.9	---	49.9	53.6	316	316	53.6	---
S556-9003-33	49.9	---	49.9	287	68.1	287	68.1	---
S556-9003-34	49.9	---	49.9	287	68.1	68.1	287	---
S556-9003-36	49.9	---	49.9	---	47.5	---	47.5	---
S556-9003-54	20	133	20	133	49.9	---	49.9	---

### SCHEMATICS

S556-9003-05  
S556-9003-12  
S556-9003-15



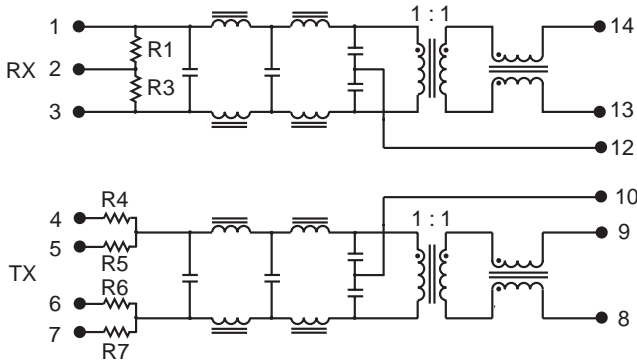
# 10BASE-T LAN MAGNETICS

## PCMCIA Modules

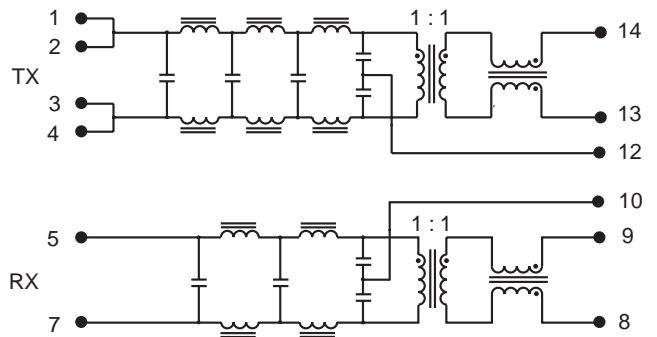
LM00507

### SCHEMATICS

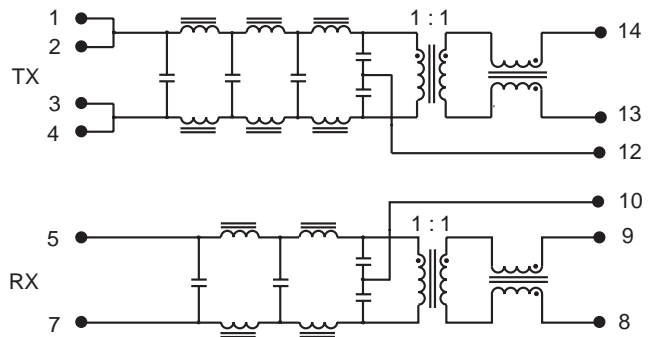
**S556-9003-06**  
**S556-9003-07**  
**S556-9003-08**



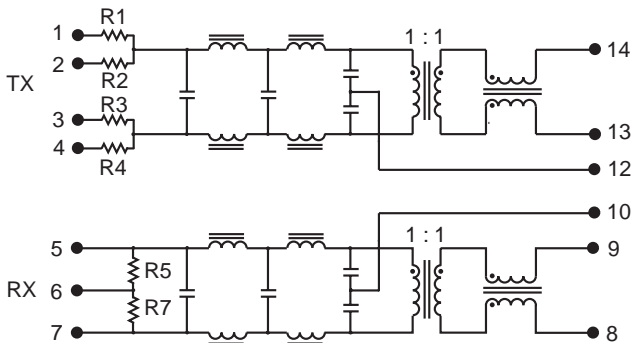
**S556-9003-09**  
**S556-9003-10**



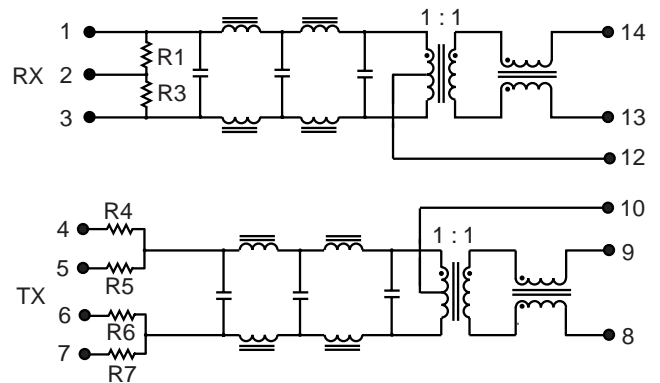
**S556-9003-11**



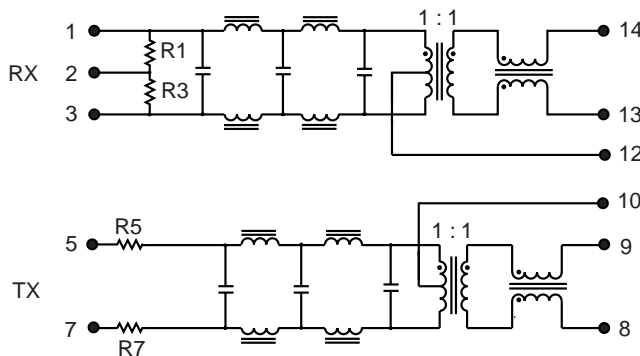
**S556-9003-13**  
**S556-9003-14**



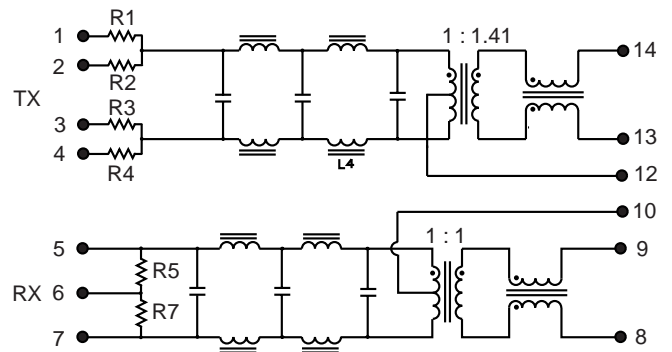
**S556-9003-30**  
**S556-9003-33**  
**S556-9003-34**



**S556-9003-36**



**S556-9003-54**

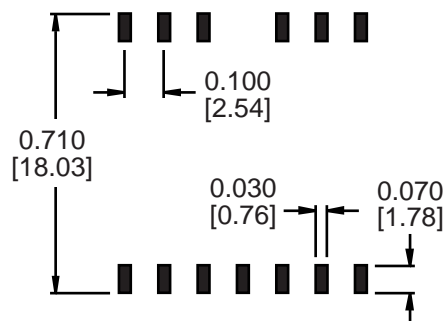
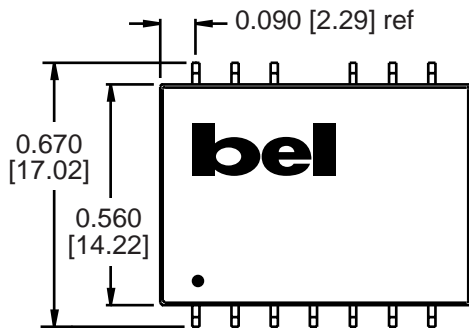


LM00507

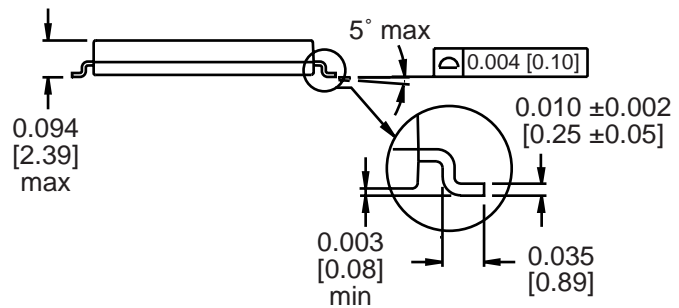
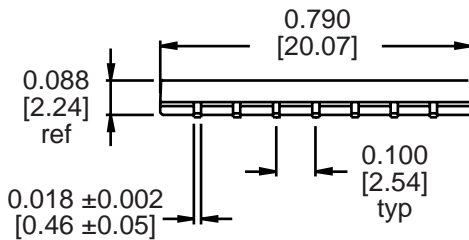
### MECHANICAL

S556-9003-05  
S556-9003-06  
S556-9003-07  
S556-9003-08  
S556-9003-09  
S556-9003-10  
S556-9003-11  
S556-9003-12

S556-9003-13  
S556-9003-14  
S556-9003-15  
S556-9003-30  
S556-9003-33  
S556-9003-34  
S556-9003-36  
S556-9003-54



Suggested PCB Pad Layout



Dimensions are in inches [millimeters].  
Standard dimension tolerance is  $\pm 0.005$  [0.13] unless otherwise noted.

©2000 Bel Fuse Inc. Specifications subject to change without notice. 01.00

#### CORPORATE

**Bel Fuse Inc.**  
206 Van Vorst Street  
Jersey City, NJ 07302  
Tel 201-432-0463  
Fax 201-432-9542  
www.belfuse.com

L5-32

#### FAR EAST

**Bel Fuse Ltd.**  
8F / 8 Luk Hop Street  
San Po Kong  
Kowloon, Hong Kong  
Tel 852-2328-5515  
Fax 852-2352-3706  
www.belfuse.com

#### EUROPE

**Bel Fuse Europe Ltd.**  
Preston Technology Management Centre  
Marsh Lane, Suite G7, Preston  
Lancashire, PR1 8UD, U.K.  
Tel 44-1772-556601  
Fax 44-1772-888366  
www.belfuse.com