

MICRO SWITCH

a Honeywell Division

FED. MFG. CODE 91929

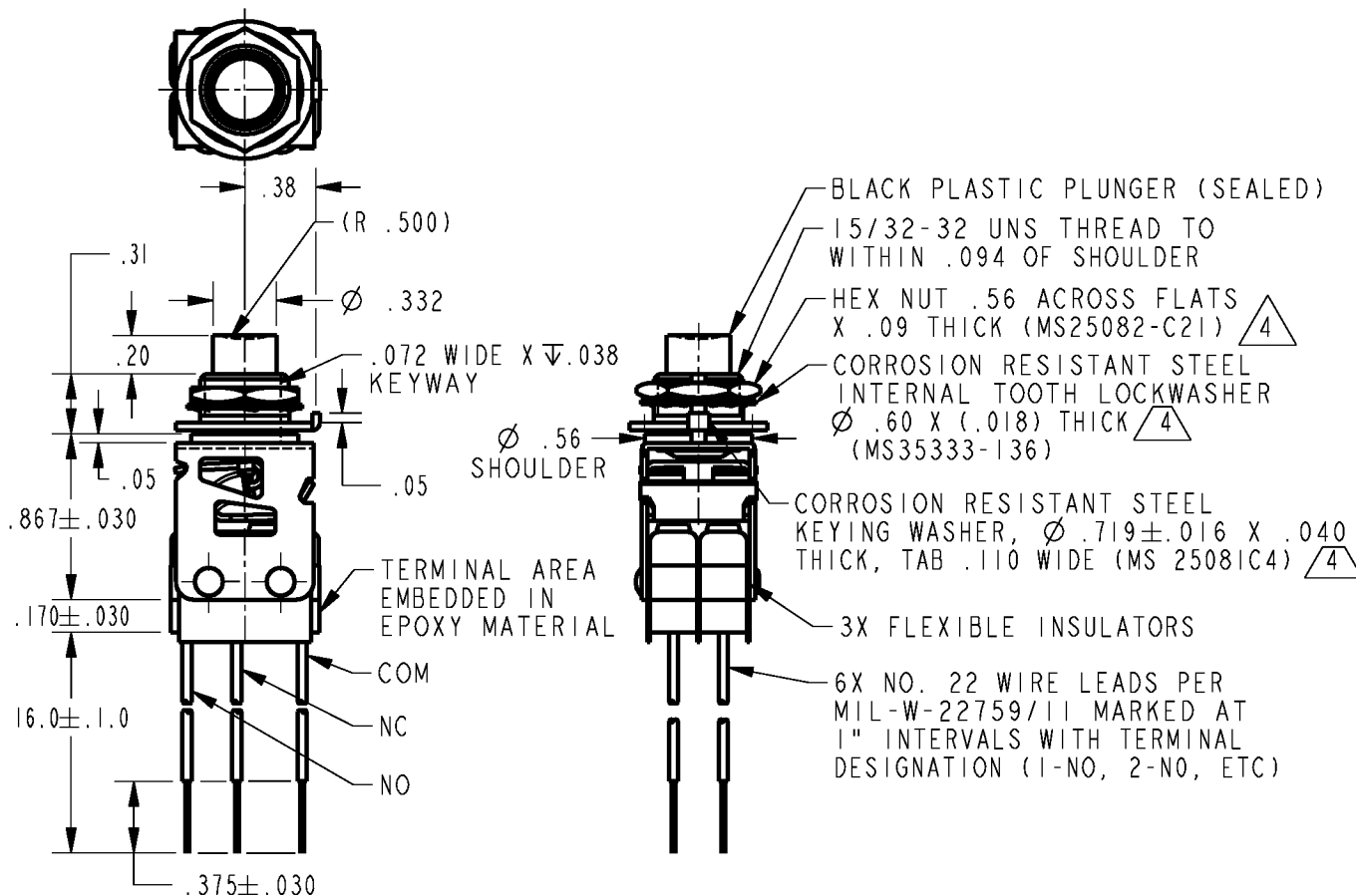
ASSEMBLY PUSHBUTTON SWITCH

CATALOG LISTING

2PB969

FAA-PMA

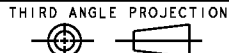
2PB969
 CATALOG LISTING
 PAGE 1 OF 1
 RELEASE NO. PR-2019 | - | REPLACES
 ISSUE **6**
 CHECK
 REVISIONS
 A CO-94193
 S A V
 5 MAY 99
 CHECK
 05MAY99
 JAF
 CHECK
 05MAY99
 DRAWN
 PTC/CAD 2D



- NOTES
- 1 - UNIT INCLUDES 411SM23 (GOLD BASIC SWITCH CONTACTS)
 - 2 - SWITCHES DO NOT NECESSARILY OPERATE SIMULTANEOUSLY
 - 3 - 411SM23 CONSTRUCTION PROVIDES SPLASH AND DUST RESISTANCE
- \triangle 4 MOUNTING HARDWARE FURNISHED UNASSEMBLED

ANSI Y14.5M-1982 APPLIES

THIS DRAWING COVERS A PROPRIETARY ITEM AND IS THE PROPERTY OF MICRO SWITCH, A DIVISION OF HONEYWELL. THIS DRAWING IS NOT TO BE COPIED OR USED WITHOUT THE APPROVAL OF MICRO SWITCH.



| CHARACTERISTICS | ELECTRICAL DATA | SCALE | FULL | DO NOT SCALE PRINT |
|--------------------------------|--|---------------------------------|-----------------------------------|---|
| | | OPERATING FORCE ----- 2 - 5 LBS | CONTACT ARRANGEMENT 2X S P D T | UNLESS OTHERWISE SPECIFIED TOLERANCES ARE |
| DIFFERENTIAL FORCE | 30 VOLTS DC RATING | TWO PLACE (.00) | \pm .015 | |
| RELEASE FORCE | | THREE PLACE (.000) | \pm .005 | |
| PRETRAVEL ----- .040 APPROX | INDUCTIVE-----SEA LEVEL-1/2 AMP 50,000 FT-1/2 AMP | ANGLES | \pm | |
| DIFFERENTIAL TRAVEL | RESISTIVE-----SEA LEVEL---1 AMP 50,000 FT---1 AMP | WEIGHT | | |
| OVERTRAVEL | MAXIMUM INRUSH-----2 AMP | | | |
| FREE POSITION | | | | |
| TOTAL TRAVEL ----- .100 APPROX | | | | |