

6.0 mm×3.5 mm Square Thin type  
 Light Touch Switches  
 for Reflow Soldering

Japan

Type: **EVQPP**



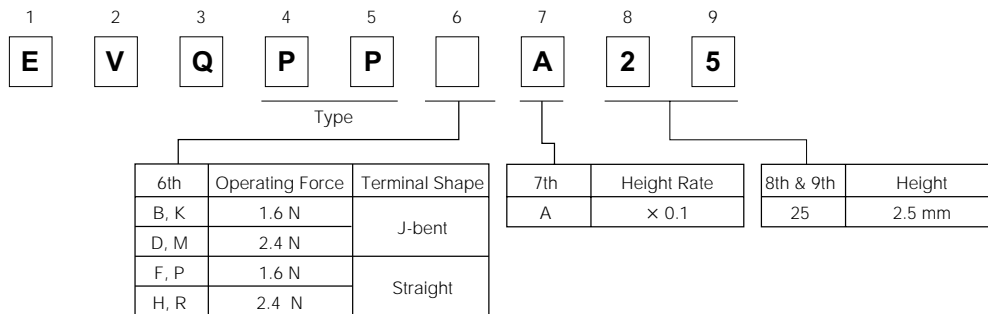
■ Features

- 6.0 mm×3.5 mm square thin type: 2.5 mm in height
- Excellent clear click feeling
- Reflow soldering available
- Dustproof structure

■ Recommended Applications

- Operating signal input switches for portable CD players, MD players, and communications equipment

■ Explanation of Part Numbers


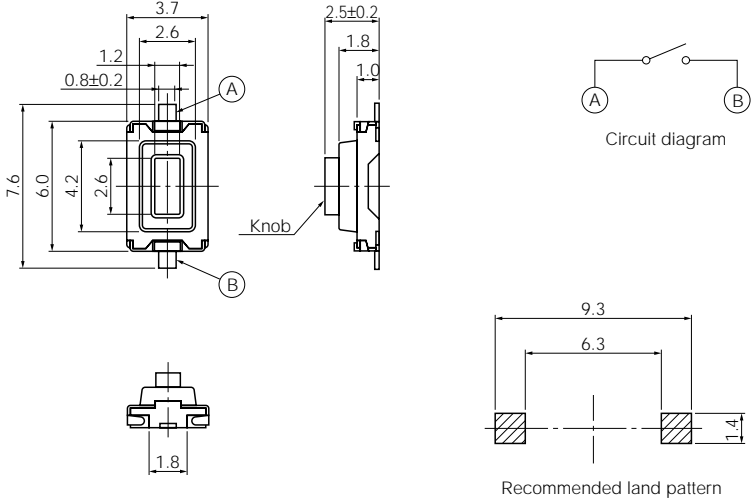

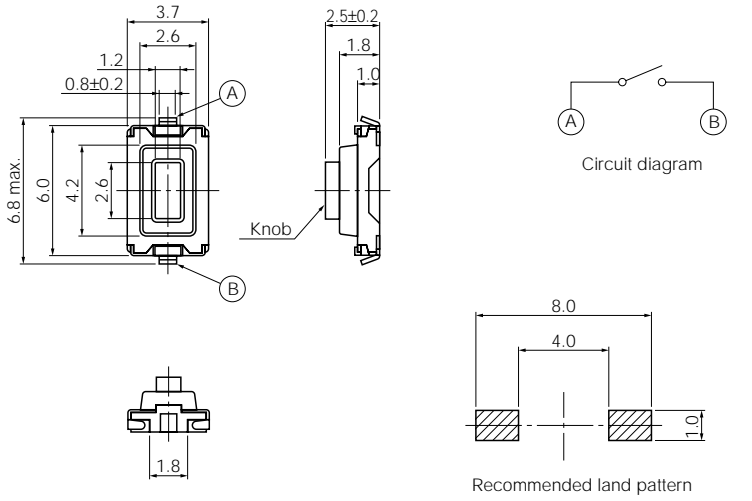


■ Specifications

|                               |                                       |  |
|-------------------------------|---------------------------------------|--|
| Type                          | Snap action / Push-on type SPST       |  |
| Electrical                    | Rating                                | 50 mA 12 Vdc max. (Resistive load)                   |
|                               | Contact Resistance                    | 100 mΩ max.  |
|                               | Insulation Resistance                 | 100 MΩ min. (at 100 Vdc)                             |
|                               | Dielectric Withstanding Voltage       | 250 Vac for 1 minute                                 |
|                               | Bouncing                              | 10 ms max. (ON, OFF)                                 |
| Mechanical                    | Operating Force                       | 1.6 N±0.5 N      2.4 N±0.6 N                         |
|                               | Travel                                | 0.25 mm <sup>+0.2</sup> <sub>-0.1</sub> mm           |
| Endurance                     | Operating Life                        | 50000 cycles min.      30000 cycles min.             |
|                               | Operating Temperature                 | -40 °C to +85 °C (45 % to 85 % RH)                   |
|                               | Storage Temperature                   | -40 °C to +85 °C (Bulk)<br>-20 °C to +60 °C (Taping) |
| Minimum Quantity/Packing Unit | 4000 pcs. Embossed Taping (Reel Pack) |  |
| Quantity/Carton               | 20000 pcs.                            |  |


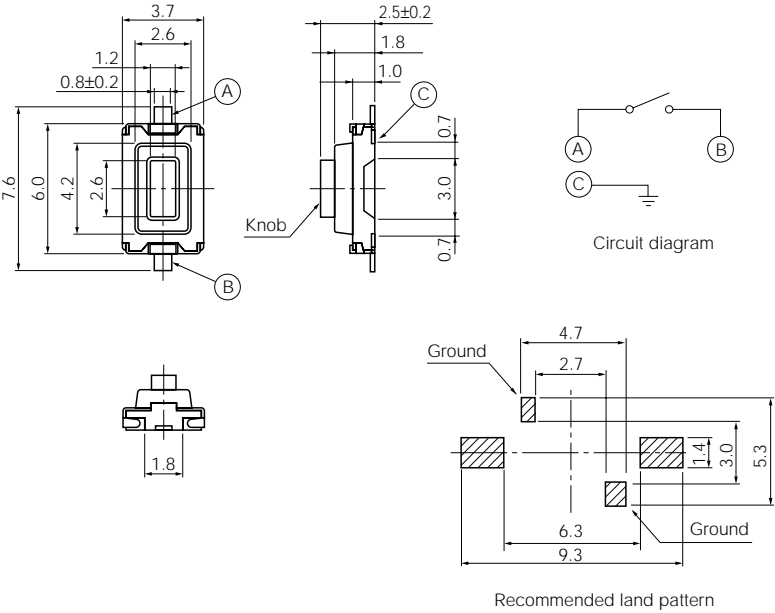

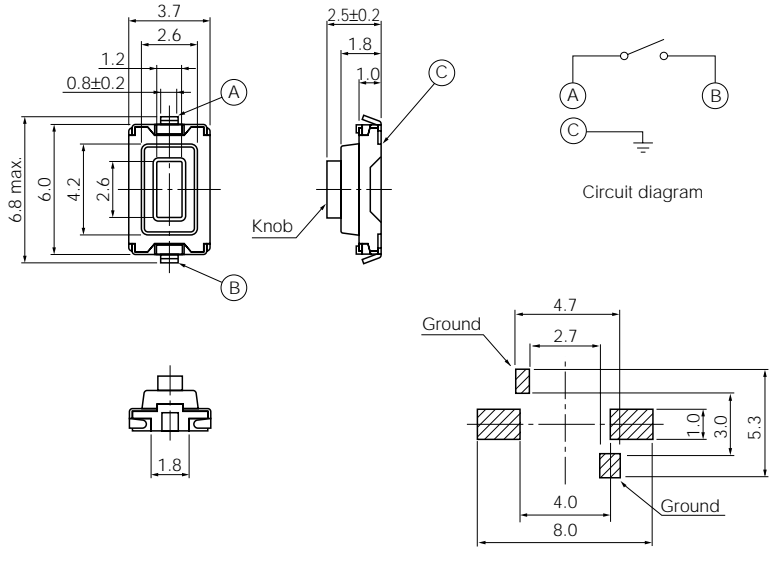
Design and specifications are each subject to change without notice. Ask factory for the current technical specifications before purchase and/or use. Should a safety concern arise regarding this product, please be sure to contact us immediately.

### ■ Dimensions in mm (not to scale)

|   |  |               |                         |                       |
|---|--|---------------|-------------------------|-----------------------|
| <p>No. 1</p> <p><b>EVQPPF</b><br/><b>EVQPPH</b></p> <p>(Embossed Taping)</p> <p>With straight terminals<br/>Without ground terminal</p>  |    |               |                         |                       |
| <p>Part Numbers</p>   | <p>Operating Force</p>   | <p>Height</p> | <p>Push Plate Color</p> | <p>Operating Life</p> |
| <p>EVQPPFA25</p>  | <p>1.6 N</p>   | <p>2.5 mm</p> | <p>Black</p>            | <p>50000 cycles</p>   |
| <p>EVQPPHA25</p>  | <p>2.4 N</p>   | <p>2.5 mm</p> | <p>White</p>            | <p>30000 cycles</p>   |
| <p>No. 2</p> <p><b>EVQPPB</b><br/><b>EVQPPD</b></p> <p>(Embossed Taping)</p> <p>With J-bent terminals<br/>Without ground terminal</p>  |  |               |                         |                       |
| <p>Part Numbers</p>   | <p>Operating Force</p>   | <p>Height</p> | <p>Push Plate Color</p> | <p>Operating Life</p> |
| <p>EVQPPBA25</p>  | <p>1.6 N</p>   | <p>2.5 mm</p> | <p>Black</p>            | <p>50000 cycles</p>   |
| <p>EVQPPDA25</p>  | <p>2.4 N</p>   | <p>2.5 mm</p> | <p>White</p>            | <p>30000 cycles</p>   |

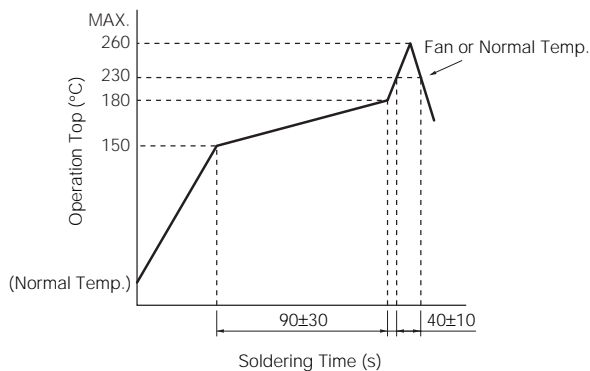
Design and specifications are each subject to change without notice. Ask factory for the current technical specifications before purchase and/or use. Should a safety concern arise regarding this product, please be sure to contact us immediately.

### ■ Dimensions in mm (not to scale)

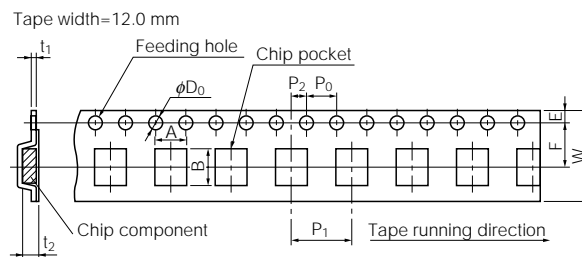
|   |  |               |                         |                       |
|---|--|---------------|-------------------------|-----------------------|
| <p>No. 3</p> <p><b>EVQPPP<br/>EVQPPR</b></p> <p>(Embossed Taping)</p> <p>With straight terminals<br/>With ground terminal</p>  |    |               |                         |                       |
| <p>Part Numbers</p>   | <p>Operating Force</p>   | <p>Height</p> | <p>Push Plate Color</p> | <p>Operating Life</p> |
| <p>EVQPPPA25</p>  | <p>1.6 N</p>   | <p>2.5 mm</p> | <p>Black</p>            | <p>50000 cycles</p>   |
| <p>EVQPPRA25</p>  | <p>2.4 N</p>   | <p>2.5 mm</p> | <p>White</p>            | <p>30000 cycles</p>   |
| <p>No. 4</p> <p><b>EVQPPK<br/>EVQPPM</b></p> <p>(Embossed Taping)</p> <p>With J-bent terminals<br/>With ground terminal</p>  |  |               |                         |                       |
| <p>Part Numbers</p>   | <p>Operating Force</p>   | <p>Height</p> | <p>Push Plate Color</p> | <p>Operating Life</p> |
| <p>EVQPPKA25</p>  | <p>1.6 N</p>   | <p>2.5 mm</p> | <p>Black</p>            | <p>50000 cycles</p>   |
| <p>EVQPPMA25</p>  | <p>2.4 N</p>   | <p>2.5 mm</p> | <p>White</p>            | <p>30000 cycles</p>   |

Design and specifications are each subject to change without notice. Ask factory for the current technical specifications before purchase and/or use. Should a safety concern arise regarding this product, please be sure to contact us immediately.

### Recommended Reflow Soldering Conditions



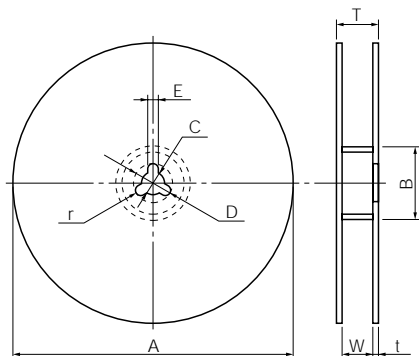
### Embossed Carrier Taping



Unit: mm

| Part No. | Height | A         | B        | W        | F       | E         | $P_1$   | $P_2$   | $P_0$   | $D_0$ Dia.                        | $t_1$     | $t_2$     |
|----------|--------|-----------|----------|----------|---------|-----------|---------|---------|---------|-----------------------------------|-----------|-----------|
| EVQPP    | 2.5    | 4.45±0.20 | 8.3 max. | 12.0±0.3 | 5.5±0.1 | 1.75±0.10 | 8.0±0.1 | 2.0±0.1 | 4.0±0.1 | 1.5 <sup>+0.1</sup> <sub>-0</sub> | 0.30±0.05 | 2.55±0.20 |

### Standard Reel Dimensions in mm (not to scale)



| Item      | A                    | B                | C                   | D                   | E       |
|-----------|----------------------|------------------|---------------------|---------------------|---------|
| Rate (mm) | $\phi 370.0 \pm 2.0$ | $\phi 50.0$ min. | $\phi 13.0 \pm 0.5$ | $\phi 21.0 \pm 1.0$ | 2.0±0.5 |
| Item      | W                    | T                | t                   | r                   |         |
| Rate (mm) | 14.0±1.5             | —                | 1.0 to 3.0          | 1.0±0.5             |         |