

MICRO SWITCH

SWITCH - ENCLOSED

CATALOG LISTING
624EN1-6

MILITARY STDS PART NO.
MS27240-4

FED. MFR. CODE 91929

MD-35071
K F C
I FEB 74
N CO31902
RA F X
NOV 74
P CO35858
D J W
2 SEPT 75
R CO37413
C H
29 OCT 76
S CO44835
T R F
10 NOV 78
CO47873
1 PART 4
R J W
18 AUG 80
U CO49806
S J W
25 SEPT 81
V CO57370
T A D
15 MAY 85
W CO
18 MAY 94

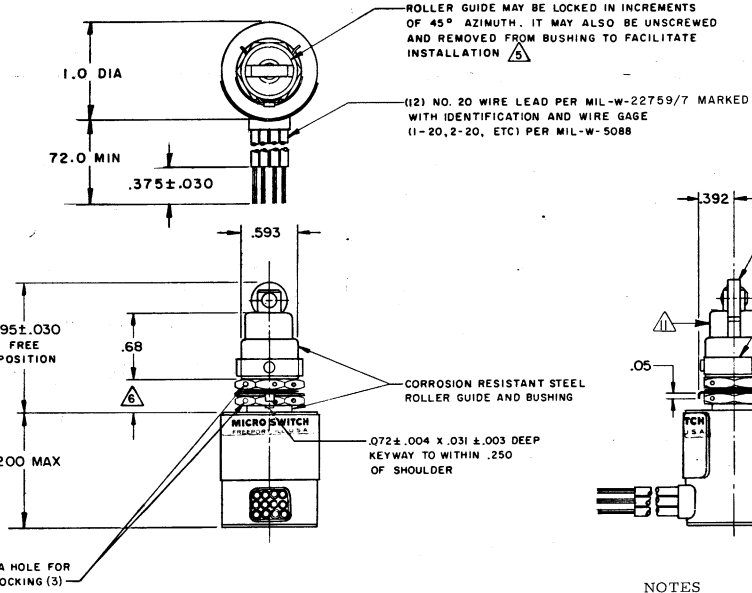
M 624EN1-6

ISSUE 21

REVISIONS
A HANE P
15 JAN 85
B CO20497
27 SEP 85
C SR12154
10 JAN 86
D CO22513
12 MAY 70
H CO27880
12 AUG 70
J CO28997
14 MAY 71
K CO28681
7 SEP 71
L CO30880
10 AUG 73

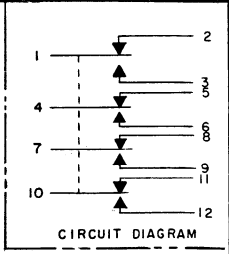
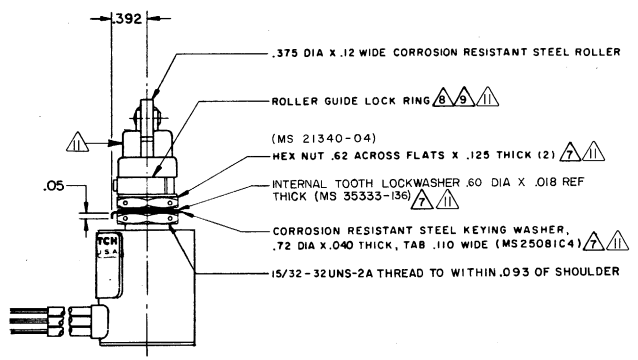
THIS DRAWING COVERS A PROPRIETARY ITEM AND IS THE PROPERTY OF MICRO SWITCH, A DIVISION OF MINNEAPOLIS-HONEYWELL REGULATOR CO. THIS DRAWING IS NOT TO BE COPIED OR USED WITHOUT THE APPROVAL OF MICRO SWITCH.

CHARACTERISTICS	ELECTRICAL DATA	SCALE FULL
OPERATING FORCE --- 6-12 LB	CONTACT ARRANGEMENT S P D T (4)	DO NOT SCALE PRINT
FULL OVERTRAVEL FORCE --- 30 LB MAX		UNLESS OTHERWISE SPECIFIED
RELEASE FORCE --- 4 LB MIN	28 VDC	DIMENSIONS ARE IN INCHES
PREFRAMEL --- .040 MAX	SEA LEVEL 50,000 FT.	TOLERANCES ARE:
DIFFERENTIAL TRAVEL --- .020 MAX	RES 7 7	ONE PLACE (.01) ±.030
OVERTRAVEL --- .125 MIN	IND 4 2.5	TWO PLACE (.001) ±.018
	MOTOR 4 4.0	THREE PLACE (.000) ±.008
		ANGLE ±.005
		WEIGHT .85 LB



ROLLER GUIDE MAY BE LOCKED IN INCREMENTS OF 45° AZIMUTH. IT MAY ALSO BE UNSCREWED AND REMOVED FROM BUSHING TO FACILITATE INSTALLATION

(12) NO. 20 WIRE LEAD PER MIL-W-22759/7 MARKED WITH IDENTIFICATION AND WIRE GAGE (1-20, 2-20, ETC) PER MIL-W-5088



- NOTES
- CORROSION RESISTANT STEEL ENCLOSURE
 - SWITCH SEALED PER MIL-S-8805 SYMBOL 4
 - COINCIDENCE OF OPERATING AND RELEASING POINTS: .010 INCH OF PLUNGER TRAVEL
 - CIRCUIT DIAGRAM, CATL. LIST. AND MILITARY STDS PART NO. MS27240-4 ARE SHOWN ON NAMEPLATE
 - TO ADJUST ROLLER DIRECTION REMOVE ROLLER GUIDE LOCK RING, SCREW ROLLER GUIDE TO DESIRED DIRECTION, SECURE BY REPLACING ROLLER GUIDE LOCK RING
 - ROLLER GUIDE LOCATION CAN VARY BETWEEN .292 AND .450 WHILE MAINTAINING .125 MIN OVERTRAVEL
 - REPLACEMENT ROLLER GUIDE AND LOCKRING - PACKET 19PA9
 - REPLACEMENT MOUNTING HARDWARE - PACKET 15PA105
 - REPLACEMENT LOCKRING - PACKET 15PA107
 - APPLICATION INFORMATION ONLY
 - HARDWARE MAY BE PACKAGED UNASSEMBLED PER MIL-S-8805