

REVISIONS

LTR	DESCRIPTION	DATE (YR-MO-DA)	APPROVED
A	Changes in accordance with NOR 5962-R107-94.	94-01-18	Michael A. Frye
B	Boilerplate update, part of 5 year review. ksr	07-02-28	Joseph Rodenbeck

ORIGINAL FIRST SHEET REPLACED

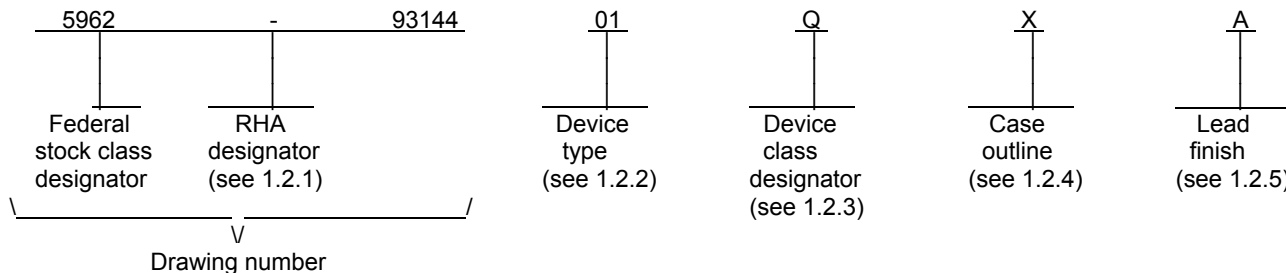
REV																				
SHEET																				
REV	B	B	B	B	B	B	B	B	B	B	B	B								
SHEET	15	16	17	18	19	20	21	22	23	24	25	26								
REV STATUS				REV	B			B	B	B	B	B	B	B	B	B	B	B	B	B
OF SHEETS				SHEET	1			2	3	4	5	6	7	8	9	10	11	12	13	14

PMIC N/A	PREPARED BY Kenneth Rice	<p align="center">DEFENSE SUPPLY CENTER COLUMBUS COLUMBUS, OHIO 43218-3990 http://www.dsc.c.dla.mil</p>																	
<p align="center">STANDARD MICROCIRCUIT DRAWING</p> <p align="center">THIS DRAWING IS AVAILABLE FOR USE BY ALL DEPARTMENTS AND AGENCIES OF THE DEPARTMENT OF DEFENSE</p> <p align="center">AMSC N/A</p>	CHECKED BY Rajesh Pithadia																		
	APPROVED BY Michael Frye	<p align="center">MICROCIRCUIT, MEMORY, DIGITAL, CMOS, UV ERASABLE PROGRAMMABLE LOGIC DEVICE, MONOLITHIC SILICON</p>																	
	DRAWING APPROVAL DATE 93-10-18																		
	REVISION LEVEL B		<table border="1"> <tr> <td>SIZE A</td> <td>CAGE CODE 67268</td> <td>5962-93144</td> </tr> </table>	SIZE A	CAGE CODE 67268	5962-93144													
SIZE A	CAGE CODE 67268	5962-93144																	
		SHEET 1 OF 26																	

1. SCOPE

1.1 Scope. This drawing documents two product assurance class levels consisting of high reliability (device classes Q and M) and space application (device class V). A choice of case outlines and lead finishes are available and are reflected in the Part or Identifying Number (PIN). When available, a choice of Radiation Hardness Assurance (RHA) levels are reflected in the PIN.

1.2 PIN. The PIN is as shown in the following example:



1.2.1 RHA designator. Device classes Q and V RHA marked devices meet the MIL-PRF-38535 specified RHA levels and are marked with the appropriate RHA designator. Device class M RHA marked devices meet the MIL-PRF-38535, appendix A specified RHA levels and are marked with the appropriate RHA designator. A dash (-) indicates a non-RHA device.

1.2.2 Device type(s). The device type(s) identify the circuit function as follows:

Device type	Generic number ^{1/}	Circuit function	Propagation delay time
01		128 Macrocell EPLD	35 ns
02		128 Macrocell EPLD	30 ns

1.2.3 Device class designator. The device class designator is a single letter identifying the product assurance level as follows:

Device class	Device requirements documentation
M	Vendor self-certification to the requirements for MIL-STD-883 compliant, non-JAN class level B microcircuits in accordance with MIL-PRF-38535, appendix A
Q or V	Certification and qualification to MIL-PRF-38535

1.2.4 Case outline(s). The case outline(s) are as designated in MIL-STD-1835 and as follows:

Outline letter	Descriptive designator	Terminals	Package style
X	see figure 1	100	Quad flat package ^{2/}
Y	CMGA5-P100E	100	Pin grid array ^{2/ 3/}
Z	CMGA17-P100E	100	Pin grid array ^{2/ 3/}
U	GQCC1-J84	84	J leaded chip carrier ^{2/}

1.2.5 Lead finish. The lead finish is as specified in MIL-PRF-38535 for device classes Q and V or MIL-PRF-38535, appendix A for device class M.

- ^{1/} Generic numbers are listed on the Standard Microcircuit Drawing Source Approval Bulletin at the end of this document and will also be listed in QML-38535 and MIL-HDBK-103 (see 6.6 herein).
- ^{2/} Lid shall be transparent to permit ultraviolet light erasure.
- ^{3/} 100 = actual number of pins used, not maximum listed in MIL-STD-1835

STANDARD MICROCIRCUIT DRAWING DEFENSE SUPPLY CENTER COLUMBUS COLUMBUS, OHIO 43218-3990	SIZE A		5962-93144
		REVISION LEVEL B	SHEET 2

1.3 Absolute maximum ratings. 4/

Supply voltage range (V _{CC}) -----	-2.0 V dc to +7.0 V dc
Programming supply voltage range (V _{PP}) -----	-2.0 V dc to +13.5 V dc 5/
DC input voltage range -----	-2.0 V dc to +7.0 V dc 5/
Maximum power dissipation -----	2.5 W 6/
Lead temperature (soldering, 10 seconds) -----	+260°C
Thermal resistance, junction-to-case (θ _{JC}):	
Case outlines X and Y -----	See MIL-STD-1835
Junction temperature (T _J) -----	+175°C
Storage temperature range -----	-65°C to +150°C
Temperature under bias range -----	-55°C to +125°C
Endurance-----	25 erase/write cycles (minimum)
Data retention -----	10 years (minimum)

1.4 Recommended operating conditions.

Supply voltage range (V _{CC}) -----	+4.5 V dc to +5.5 V dc
Ground voltage (GND) -----	0 V dc
Input high voltage (V _{IH}) -----	2.2 V dc minimum
Input low voltage (V _{IL}) -----	0.8 V dc maximum
Case operating temperature range (T _C) -----	-55°C to +125°C 7/
Input rise time (t _R) -----	100 ns maximum
Input fall time (t _F) -----	100 ns maximum

2. APPLICABLE DOCUMENTS

2.1 Government specification, standards, and handbooks. The following specification, standards, and handbooks form a part of this drawing to the extent specified herein. Unless otherwise specified, the issues of these documents are those cited in the solicitation or contract.

DEPARTMENT OF DEFENSE SPECIFICATION

MIL-PRF-38535 - Integrated Circuits, Manufacturing, General Specification for.

DEPARTMENT OF DEFENSE STANDARDS

MIL-STD-883 - Test Method Standard Microcircuits.
 MIL-STD-1835 - Interface Standard Electronic Component Case Outlines.

DEPARTMENT OF DEFENSE HANDBOOKS

MIL-HDBK-103 - List of Standard Microcircuit Drawings.
 MIL-HDBK-780 - Standard Microcircuit Drawings.

(Copies of these documents are available online at <http://assist.daps.dla.mil/quicksearch/> or <http://assist.daps.dla.mil> or from the Standardization Document Order Desk, 700 Robins Avenue, Building 4D, Philadelphia, PA 19111-5094.)

- 4/ Stresses above the absolute maximum rating may cause permanent damage to the device. Extended operation at the maximum levels may degrade performance and affect reliability.
- 5/ Minimum dc input voltage is -0.5 V. During transitions, inputs may undershoot to -2.0 V for periods less than 20 ns. Maximum dc voltage on output pins is V_{CC} + 0.5 V, which may overshoot to +7.0 V for periods less than 20 ns under no load conditions.
- 6/ Must withstand the added P_D due to short circuit test (e.g., I_{OS}).
- 7/ Case temperatures are instant on.

STANDARD MICROCIRCUIT DRAWING DEFENSE SUPPLY CENTER COLUMBUS COLUMBUS, OHIO 43218-3990	SIZE A		5962-93144
		REVISION LEVEL B	SHEET 3

2.2 Non-Government publications. The following document(s) form a part of this document to the extent specified herein. Unless otherwise specified, the issues of these documents are those cited in the solicitation.

AMERICAN SOCIETY FOR TESTING AND MATERIALS (ASTM)

ASTM Standard F1192-00 - Standard Guide for the Measurement of Single Event Phenomena from Heavy Ion Irradiation of Semiconductor Devices.

(Applications for copies of ASTM publications should be addressed to: ASTM International, PO Box C700, 100 Barr Harbor Drive, West Conshohocken, PA 19428-2959; <http://www.astm.org>.)

ELECTRONICS INDUSTRIES ASSOCIATION (EIA)

JEDEC Standard EIA/JESD78 - IC Latch-Up Test.

(Applications for copies should be addressed to the Electronics Industries Association, 2500 Wilson Boulevard, Arlington, VA 22201; <http://www.jedec.org>.)

(Non-Government standards and other publications are normally available from the organizations that prepare or distribute the documents. These documents also may be available in or through libraries or other informational services.)

2.3 Order of precedence. In the event of a conflict between the text of this drawing and the references cited herein, the text of this drawing takes precedence. Nothing in this document, however, supersedes applicable laws and regulations unless a specific exemption has been obtained.

3. REQUIREMENTS

3.1 Item requirements. The individual item requirements for device classes Q and V shall be in accordance with MIL-PRF-38535 and as specified herein or as modified in the device manufacturer's Quality Management (QM) plan. The modification in the QM plan shall not affect the form, fit, or function as described herein. The individual item requirements for device class M shall be in accordance with MIL-PRF-38535, appendix A for non-JAN class level B devices and as specified herein.

3.2 Design, construction, and physical dimensions. The design, construction, and physical dimensions shall be as specified in MIL-PRF-38535 and herein for device classes Q and V or MIL-PRF-38535, appendix A and herein for device class M.

3.2.1 Case outline(s). The case outline(s) shall be in accordance with 1.2.4 herein and figure 1.

3.2.2 Terminal connections. The terminal connections shall be as specified on figure 2.

3.2.3 Truth table(s). The truth table shall be as specified on figure 3.

3.2.3.1 Unprogrammed devices. The truth table for unprogrammed devices shall be as specified on figure 2. When required in screening (see 4.2 herein) or qualification conformance inspection, groups A, B, or C (see 4.4), the devices shall be programmed by the manufacturer prior to test. A minimum of 50 percent of the total number of cells shall be programmed.

3.2.3.2 Programmed devices. The truth table for programmed devices shall be as specified by an attached altered item drawing.

3.3 Electrical performance characteristics and postirradiation parameter limits. Unless otherwise specified herein, the electrical performance characteristics and postirradiation parameter limits are as specified in table I and shall apply over the full case operating temperature range.

3.4 Electrical test requirements. The electrical test requirements shall be the subgroups specified in table IIA. The electrical tests for each subgroup are defined in table I.

STANDARD MICROCIRCUIT DRAWING DEFENSE SUPPLY CENTER COLUMBUS COLUMBUS, OHIO 43218-3990	SIZE A		5962-93144
		REVISION LEVEL B	SHEET 4

3.5 Marking. The part shall be marked with the PIN listed in 1.2 herein. In addition, the manufacturer's PIN may also be marked. For packages where marking of the entire SMD PIN number is not feasible due to space limitations, the manufacturer has the option of not marking the "5962-" on the device. For RHA product using this option, the RHA designator shall still be marked. Marking for device classes Q and V shall be in accordance with MIL-PRF-38535. Marking for device class M shall be in accordance with MIL-PRF-38535, appendix A.

3.5.1 Certification/compliance mark. The certification mark for device classes Q and V shall be a "QML" or "Q" as required in MIL-PRF-38535. The compliance mark for device class M shall be a "C" as required in MIL-PRF-38535, appendix A.

3.6 Certificate of compliance. For device classes Q and V, a certificate of compliance shall be required from a QML-38535 listed manufacturer in order to supply to the requirements of this drawing (see 6.6.1 herein). For device class M, a certificate of compliance shall be required from a manufacturer in order to be listed as an approved source of supply in MIL-HDBK-103 (see 6.6.2 herein). The certificate of compliance submitted to DSCC-VA prior to listing as an approved source of supply for this drawing shall affirm that the manufacturer's product meets, for device classes Q and V, the requirements of MIL-PRF-38535 and herein or for device class M, the requirements of MIL-PRF-38535, appendix A and herein.

3.7 Certificate of conformance. A certificate of conformance as required for device classes Q and V in MIL-PRF-38535 or for device class M in MIL-PRF-38535, appendix A shall be provided with each lot of microcircuits delivered to this drawing.

3.8 Notification of change for device class M. For device class M, notification to DSCC-VA of change of product (see 6.2 herein) involving devices acquired to this drawing is required for any change that affects this drawing.

3.9 Verification and review for device class M. For device class M, DSCC, DSCC's agent, and the acquiring activity retain the option to review the manufacturer's facility and applicable required documentation. Offshore documentation shall be made available onshore at the option of the reviewer.

3.10 Microcircuit group assignment for device class M. Device class M devices covered by this drawing shall be in microcircuit group number 42 (see MIL-PRF-38535, appendix A).

3.11 Processing EPLDs. All testing requirements and quality assurance provisions herein shall be satisfied by the manufacturer prior to delivery.

3.11.1 Erasure of EPLDs. When specified, devices shall be erased in accordance with the procedures and characteristics specified in 4.6.

3.11.2 Programmability of EPLDs. When specified, devices shall be programmed to the specified pattern using the procedures and characteristics specified in 4.5.

3.11.3 Verification of erasure or programmed EPLDs. When specified, devices shall be verified as either programmed (see 4.5) to the specified pattern or erased (see 4.6). As a minimum, verification shall consist of performing a functional test (subgroup 7) to verify that all bits are in the proper state. Any bit that does not verify to be in the proper state shall constitute a device failure, and shall be removed from the lot.

3.12 Endurance. A reprogrammability test shall be completed as part of the vendor's reliability monitor. This reprogrammability test shall be done only for initial characterization and after any design or process changes which may affect the reprogrammability of the device. The methods and procedures may be vendor specific, but will guarantee the number of program/erase endurance cycles listed in section 1.3 herein. The vendors' procedure shall be under document control and shall be made available upon request.

3.13 Data retention. A data retention stress test shall be completed as part of the vendor's reliability process. This test shall be done initially and after any design or process change which may affect data retention. The methods and procedures may be vendor specific, but will guarantee the number of years listed in section 1.3 herein. The vendors procedure shall be under document control and shall be made available upon request. Data retention capability shall be guaranteed over the full military temperature range.

STANDARD MICROCIRCUIT DRAWING DEFENSE SUPPLY CENTER COLUMBUS COLUMBUS, OHIO 43218-3990	SIZE A		5962-93144
		REVISION LEVEL B	SHEET 5

TABLE I. Electrical performance characteristics.

Test	Symbol	Conditions -55°C ≤ T _C ≤ +125°C 4.5 V ≤ V _{CC} ≤ 5.5 V unless otherwise specified	Group A subgroups	Device type	Limit		Unit	
					Min	Max		
Output high voltage	V _{OH}	V _{CC} = 4.5 V, I _{OH} = -4 mA V _{IH} = 2.2 V, V _{IL} = 0.8 V	1,2,3	All	2.4		V	
Output low voltage	V _{OL}	V _{CC} = 4.5 V, I _{OL} = 8 mA V _{IH} = 2.2 V, V _{IL} = 0.8 V				0.45		
Input high voltage <u>1/ 2/</u>	V _{IH}				2.2			
Input low voltage <u>1/ 2/</u>	V _{IL}					0.8		
Input leakage current	I _{IX}	V _{CC} = 5.5 V, V _{IN} = 5.5 V and GND			-10	+10		μA
Output leakage current	I _{OZ}	V _{CC} = 5.5 V, V _{IN} = 5.5 V and GND			-40	+40		
Output short circuit current <u>3/ 4/</u>	I _{OS}	V _{CC} = 5.5 V, V _{OUT} = 0.5 V			-30	-90		
Power supply current <u>4/ 5/</u>	I _{CC1}	V _{CC} = 5.5 V, I _{OUT} = 0 mA, V _{IN} = V _{CC} or GND f = 1.0 MHz				375		
Power supply current (standby)	I _{CC2}	V _{CC} = 5.5 V, I _{OUT} = 0 mA, V _{IN} = V _{CC} or GND,				325		
Input capacitance <u>2/</u>	C _{IN}	V _{CC} = 5.0 V, T _A = +25°C, f = 1 MHz, (see 4.4.1f)	4		10	pF		
Output capacitance <u>2/</u>	C _{OUT}	V _{CC} = 5.0 V, T _A = +25°C, f = 1 MHz, (see 4.4.1f)	4		20			
Functional testing		See 4.4.1c	7,8A,8B					

See footnotes at end of table.

**STANDARD
MICROCIRCUIT DRAWING**
DEFENSE SUPPLY CENTER COLUMBUS
COLUMBUS, OHIO 43218-3990

SIZE
A

REVISION LEVEL
B

5962-93144

SHEET

6

TABLE I. Electrical performance characteristics - Continued.

Test	Symbol	Conditions -55°C ≤ T _C ≤ +125°C 4.5 V ≤ V _{CC} ≤ 5.5 V unless otherwise specified	Group A subgroups	Device type	Limit		Unit
					Min	Max	
Dedicated input to combinatorial output delay <u>7/</u>	t _{PD1}	See figures 4 (circuit A) and 5 <u>6/</u>	9,10,11	01		35	ns
				02		30	
I/O input to combinatorial output delay <u>8/</u>	t _{PD2}			01		55	
				02		45	
Dedicated input to combinatorial output delay with expander delay <u>9/</u>	t _{PD3}			01		55	
				02		44	
I/O input to combinatorial output delay with expander delay <u>2/ 4/ 10/</u>	t _{PD4}			01		75	
				02		59	
Input to output enable delay <u>4/ 7/</u>	t _{EA}			01		35	
				02		30	
Input to output disable delay <u>4/ 7/</u>	t _{ER}	01		35			
		02		30			
Synchronous clock input to output delay	t _{CO1}	01		20			
		02		16			
Synchronous clock to local feedback to combinatorial output <u>4/ 11/</u>	t _{CO2}	01		42			
		02		35			

See footnotes at end of table.

STANDARD MICROCIRCUIT DRAWING DEFENSE SUPPLY CENTER COLUMBUS COLUMBUS, OHIO 43218-3990	SIZE A		5962-93144
		REVISION LEVEL B	SHEET 7

TABLE I. Electrical performance characteristics - Continued.

Test	Symbol	Conditions -55°C ≤ T _C ≤ +125°C 4.5 V ≤ V _{CC} ≤ 5.5 V unless otherwise specified	Group A subgroups	Device type	Limit		Unit	
					Min	Max		
Dedicated input or feedback setup time to synchronous clock input <u>7/ 12/</u>	t _{S1}	See figures 4 (circuit A) and 5 <u>6/</u>	9,10,11	01	25		ns	
				02	20			
I/O input setup time to synchronous clock input <u>7/ 12/</u>	t _{S2}			01	45			
				02	36			
Input hold time from synchronous clock input <u>7/</u>	t _H				All	0		
Synchronous clock input high time <u>2/</u>	t _{WH}			01	12.5			
				02	10			
Synchronous clock input low time <u>2/</u>	t _{WL}			01	12.5			
				02	10			
Asynchronous clear width <u>2/ 4/ 7/</u>	t _{RW}			01	35			
		02	30					
Asynchronous clear recovery time <u>2/ 4/ 7/</u>	t _{RR}	01	35					
		02	30					
Asynchronous clear to registered output delay <u>2/ 7/</u>	t _{RO}	01		35				
		02		30				

See footnotes at end of table.

STANDARD MICROCIRCUIT DRAWING DEFENSE SUPPLY CENTER COLUMBUS COLUMBUS, OHIO 43218-3990	SIZE A		5962-93144
		REVISION LEVEL B	SHEET 8

TABLE I. Electrical performance characteristics - Continued.

Test	Symbol	Conditions -55°C ≤ T _C ≤ +125°C 4.5 V ≤ V _{CC} ≤ 5.5 V unless otherwise specified	Group A subgroups	Device type	Limit		Unit
					Min	Max	
Asynchronous preset width <u>2/ 4/ 7/</u>	t _{PW}	See figures 4 (circuit A) and 5 <u>6/</u>	9,10,11	01	35		ns
				02	30		
Asynchronous preset recovery time <u>2/ 4/ 7/</u>	t _{PR}			01	35		
				02	30		
Asynchronous preset to registered output delay <u>2/ 7/</u>	t _{PO}			01		35	
				02		30	
Synchronous clock to local feedback input <u>4/ 13/</u>	t _{CF}			01		6	
				02		3	
External synchronous clock period (1/f _{MAX3}) <u>4/</u>	t _P			01	25		
				02	20		
External feedback maximum frequency (1/(t _{CO1} + t _{S1})) <u>4/ 14/</u>	f _{MAX1}	01	22.2		MHz		
		02	27.7				
Internal local feedback maximum frequency, lesser of (1/(t _{S1} + t _{CF})) or (1/t _{CO1}) <u>4/ 15/</u>	f _{MAX2}	01	32.2				
		02	43.6				
Data path maximum frequency, least of 1/(t _{WL} + t _{WH}), 1/(t _{S1} + t _H) or (1/t _{CO1}) <u>4/ 16/</u>	f _{MAX3}	01	40				
		02	50				

See footnotes at end of table.

STANDARD MICROCIRCUIT DRAWING DEFENSE SUPPLY CENTER COLUMBUS COLUMBUS, OHIO 43218-3990	SIZE A		5962-93144
		REVISION LEVEL B	SHEET 9

TABLE I. Electrical performance characteristics - Continued.

Test	Symbol	Conditions -55°C ≤ T _C ≤ +125°C 4.5 V ≤ V _{CC} ≤ 5.5 V unless otherwise specified	Group A subgroups	Device type	Limit		Unit
					Min	Max	
Maximum register toggle frequency (1/(t _{WL} + t _{WH})) 4/ 17/	f _{MAX4}	See figures 4 (circuit A) and 5 6/	9,10,11	01	40		MHz
				02	50		
Output data stable time from synchronous clock input 4/ 18/	t _{OH}			All	3		ns

External asynchronous switching characteristics

Dedicated asynchronous clock input to output delay 6/	t _{ACO1}	See figures 4 (circuit A) and 5 6/	9,10,11	01		35	ns
				02		30	
Asynchronous clock input to local feedback to combinatorial output 2/ 19/	t _{ACO2}			01		55	
				02		46	
Dedicated input or feedback setup time to asynchronous clock input 6/	t _{AS1}			01	8		
				02	6		
I/O input setup time to asynchronous clock input 4/ 6/	t _{AS2}			01	28		
				02	22		
Input hold time from asynchronous clock input 6/	t _{AH}			01	10		
				02	8		
Asynchronous clock input high time 2/ 6/	t _{AWH}			01	16		
				02	14		

See footnotes at end of table.

<p align="center">STANDARD MICROCIRCUIT DRAWING DEFENSE SUPPLY CENTER COLUMBUS COLUMBUS, OHIO 43218-3990</p>	<p align="center">SIZE A</p>		<p align="center">5962-93144</p>
		<p align="center">REVISION LEVEL B</p>	<p align="center">SHEET 10</p>

TABLE I. Electrical performance characteristics - Continued.

Test	Symbol	Conditions -55°C ≤ T _C ≤ +125°C 4.5 V ≤ V _{CC} ≤ 5.5 V unless otherwise specified	Group A subgroups	Device type	Limit		Unit		
					Min	Max			
Asynchronous clock input low time <u>2/ 7/ 20/</u>	t _{AWL}	See figures 4 (circuit A) and 5 <u>6/</u>	9,10,11	01	14		ns		
				02	11				
Asynchronous clock to local feedback input <u>4/ 21/</u>	t _{ACF}			01		22			
				02		18			
External asynchronous clock period (1/f _{MAXA4}) <u>4/</u>	t _{AP}			01		30			
				02		25			
External feedback maximum frequency in asynchronous mode 1/(t _{ACO1} + t _{AS1}) <u>4/ 22/</u>	f _{MAXA1}			01		23			MHz
				02		27			
Maximum internal asynchronous frequency <u>4/ 23/</u>	f _{MAXA2}			01		33.3			
				02		40			
Data path maximum frequency in asynchronous mode <u>4/ 24/</u>	f _{MAXA3}	01		28.5					
		02		33.3					
Maximum asynchronous register toggle frequency 1/(t _{AWH} + t _{AWL}) <u>4/ 25/</u>	f _{MAXA4}	01		33.3					
		02		40					
Output data stable time from asynchronous clock input <u>4/ 26/</u>	t _{AOH}		All	15		ns			

1/ These are absolute values with respect to device ground and all overshoots due to system or tester noise are included.

2/ Tested initially and after any design or process changes that affect that parameter, and therefore shall be guaranteed to the limits specified in table I.

3/ For test purposes, not more than one output at a time should be shorted. Short circuit test duration should not exceed 1 second.

4/ May not be tested but shall be guaranteed to the limits specified in table I.

5/ Measured with device programmed as a 16-bit counter in each LAB.

6/ AC tests are performed with input rise and fall times of 6 ns or less, timing reference levels of 1.5 V, input pulse levels of 0 to 3.0 V, and the output loads on figure 4.

7/ This specification is a measure of the delay from input signal applied to a dedicated input to combinatorial output on any output pin. This delay assumes no expander terms are used to form the logic function.

When this note is applied to any parameter specification it indicates that the signal (data, asynchronous clock, asynchronous clear, and/or asynchronous preset) is applied to a dedicated input only and no signal path (either clock or data) employs expander logic.

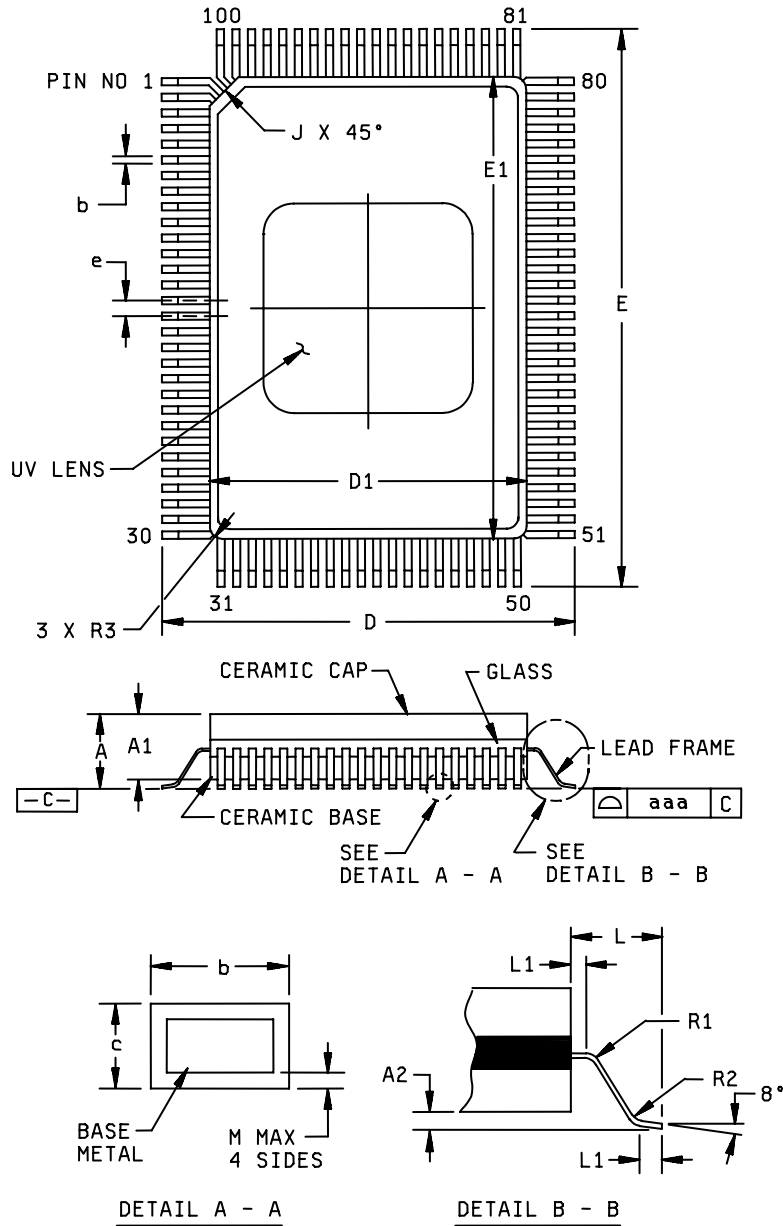
If an input signal is applied to an I/O pin, an additional delay equal to t_{PIA} should be added to the comparable delay for a dedicated input. If expanders are used, add the maximum expander delay t_{EXP} to the overall delay for the comparable delay without expanders.

STANDARD MICROCIRCUIT DRAWING DEFENSE SUPPLY CENTER COLUMBUS COLUMBUS, OHIO 43218-3990	SIZE A		5962-93144
		REVISION LEVEL B	SHEET 11

TABLE I. Electrical performance characteristics - Continued.

- 8/ This specification is a measure of the delay from input signal applied to an I/O macrocell pin to any output. This delay assumes no expander terms are used to form the logic function.
- 9/ This specification is a measure of the delay from an input signal applied to a dedicated input to combinatorial output on any output pin. This delay assumes expander terms are used to form the logic function and includes the worst-case expander logic delay for one pass through the expander logic.
- 10/ This specification is a measure of the delay from an input signal applied to an I/O macrocell pin to any output. This delay assumes expander terms are used to form the logic function and includes the worst-case expander logic delay for one pass through the expander logic.
- 11/ This specification is a measure of the delay from synchronous register clock to internal feedback of the register output signal to the input of the LAB logic array and then to a combinatorial output. This delay assumes no expanders are used, register is synchronously clocked and all feedback is within the same LAB.
- 12/ If data is applied to an I/O input for capture by a macrocell register, the I/O pin set-up time minimums should be observed. These parameters are t_{S2} for synchronous operation and t_{AS2} for asynchronous operation.
- 13/ This specification is a measure of the delay associated with the internal register feedback path. This is the delay from synchronous clock to LAB logic array input. This delay plus the register set-up time, t_{S1} , is the minimum internal period for an internal synchronous state machine configuration. This delay is for feedback within the same LAB.
- 14/ This specification indicates the guaranteed maximum frequency, in synchronous mode, at which a state machine configuration with external feedback can operate. It is assumed that all data inputs and feedback signals are applied to dedicated inputs. All feedback is assumed to be local, originating within the same LAB.
- 15/ This specification indicates the guaranteed maximum frequency at which a state machine, with internal-only feedback, can operate. If register output states must also control external points, this frequency can still be observed as long as this frequency is less than $1/t_{CO1}$.
- 16/ This frequency indicates the maximum frequency at which the device may operate in data path mode. This delay assumes data input signals are applied to dedicated inputs and no expander logic is used. If any of the data inputs are I/O pins, t_{S2} is at the appropriate t_S for calculation.
- 17/ This specification indicates the guaranteed maximum frequency, in synchronous mode, at which an individual output or buried register can be cycled by a clock signal applied to the dedicated clock input pin.
- 18/ This parameter indicates the minimum time after a synchronous register clock input that the previous register output data is maintained on the output pin.
- 19/ This specification is a measure of the delay from an asynchronous register clock input to internal feedback of the register output signal to the input of the LAB logic array and then to a combinatorial output. This delay assumes no expanders are used in the logic of combinatorial output or the asynchronous clock input. The clock signal is applied to a dedicated input pin and all feedback is within a single LAB.
- 20/ This parameter is measured with a positive-edge triggered clock at the register. For negative edge triggering, the t_{AWH} and t_{AWL} parameters must be swapped. If a given input is used to clock multiple registers with both positive and negative polarity, t_{AWH} should be used for both t_{AWH} and t_{AWL} .
- 21/ This specification is a measure of the delay associated with the internal register feedback path for an asynchronous clock to LAB logic array input. This delay plus the asynchronous register set-up time, t_{AS1} , is the minimum internal period for an internal asynchronously clocked state machine configuration. This delay is for feedback within the same LAB, assumes no expander logic in the clock path, and assumes that the clock input signal is applied to a dedicated input pin.
- 22/ This specification indicates the guaranteed maximum frequency at which an asynchronously clocked state machine configuration with external feedback can operate. It is assumed that all data inputs, clock inputs, and feedback signals are applied to dedicated inputs, and that no expander logic is employed in the clock signal path or data path.
- 23/ This specification indicates the guaranteed maximum frequency at which an asynchronously clocked state machine with internal-only feedback can operate. This parameter is determined by the lesser of $(1/(t_{ACF} + 1/t_{AS1}))$ or $(1/(t_{AWH} + t_{AWL}))$. If register output states must also control external points, this frequency can still be observed as long as this frequency is less than $1/t_{ACO1}$.
- 24/ This frequency is the maximum frequency at which the device may operate in the asynchronously clocked data path mode. This specification is determined by the least of $1/(t_{AWH} + t_{AWL})$, $1/(t_{AS1} + t_{AH})$ or $1/t_{ACO1}$. It assumes data and clock input signals are applied to dedicated input pins and no expander logic is used.
- 25/ This specification indicates the guaranteed maximum frequency at which an individual output or buried register can be cycled in asynchronously clocked mode by a clock signal applied to an external dedicated input pin.
- 26/ This parameter indicates the minimum time that the previous register output data is maintained on the output after an asynchronous register clock input applied to an external dedicated input pin.

STANDARD MICROCIRCUIT DRAWING DEFENSE SUPPLY CENTER COLUMBUS COLUMBUS, OHIO 43218-3990	SIZE A		5962-93144
		REVISION LEVEL B	SHEET 12



Note: See dimension chart and notes on next page.

FIGURE 1. Case outline.

STANDARD MICROCIRCUIT DRAWING DEFENSE SUPPLY CENTER COLUMBUS COLUMBUS, OHIO 43218-3990	SIZE A		5962-93144
		REVISION LEVEL B	SHEET 13

Symbol	Metric (mm)
aaa	0.10 max
A	2.85 ± .5
A1	2.45 ± .3
A2	.40 ± 0.20
b	.030 max
c	.009 ± .02
D	17.20 ± 0.20
D1	13.20 ± 0.13
E	23.20 ± 0.20
E1	19.20 ± 0.18
e	0.65 max
J	1.20 max
L	2.0 ± 0.20
L1	0.58 ± 0.20
L2	0.52 ± 0.20
M	0.04 max
R1	0.30 max
R2	0.30 max
R3	0.50 max
non-measured values	
ND / NE	60 / 40
N	100

Notes: ND and NE represent number of terminals on a side, while N represents the total number of terminals on the package.

FIGURE 1. Case outline - Continued.

STANDARD MICROCIRCUIT DRAWING DEFENSE SUPPLY CENTER COLUMBUS COLUMBUS, OHIO 43218-3990	SIZE A		5962-93144
		REVISION LEVEL B	SHEET 14

Case outline X

Device types	ALL	Device types	ALL	Device types	ALL
Terminal number	Terminal symbol	Terminal number	Terminal symbol	Terminal number	Terminal symbol
1	I/O	35	I/O	68	VCC
2	I/O	36	I/O	69	VCC
3	I/O	37	GND	70	INPUT
4	I/O	38	GND	71	INPUT
5	I/O	39	I/O	72	INPUT
6	I/O	40	I/O	73	I/O
7	I/O	41	I/O	74	I/O
8	I/O	42	I/O	75	I/O
9	INPUT	43	VCC	76	I/O
10	INPUT	44	VCC	77	I/O
11	INPUT	45	I/O	78	I/O
12	GND	46	I/O	79	I/O
13	GND	47	I/O	80	I/O
14	INPUT	48	I/O	81	I/O
15	INPUT	49	I/O	82	I/O
16	INPUT/CLK	50	I/O	83	I/O
17	INPUT	51	I/O	84	I/O
18	VCC	52	I/O	85	I/O
19	VCC	53	I/O	86	I/O
20	INPUT	54	I/O	87	GND
21	INPUT	55	I/O	88	GND
22	INPUT	56	I/O	89	I/O
23	I/O	57	I/O	90	I/O
24	I/O	58	I/O	91	I/O
25	I/O	59	INPUT	92	I/O
26	I/O	60	INPUT	93	VCC
27	I/O	61	INPUT	94	VCC
28	I/O	62	GND	95	I/O
29	I/O	63	GND	96	I/O
30	I/O	64	INPUT	97	I/O
31	I/O	65	INPUT	98	I/O
32	I/O	66	INPUT	99	I/O
33	I/O	67	INPUT	100	I/O
34	I/O				

FIGURE 2. Terminal connections.

STANDARD MICROCIRCUIT DRAWING DEFENSE SUPPLY CENTER COLUMBUS COLUMBUS, OHIO 43218-3990	SIZE A		5962-93144
		REVISION LEVEL B	SHEET 15

Case outline Y and Z

Device types	ALL	Device types	ALL	Device types	ALL
Terminal number	Terminal symbol	Terminal number	Terminal symbol	Terminal number	Terminal symbol
A1	I/O	D1	I/O	L1	I/O
A2	I/O	D2	I/O	L2	I/O
A3	I/O	D12	I/O	L6	GND
A4	I/O	D13	I/O	L7	INPUT
A5	INPUT	E1	I/O	L8	INPUT
A6	VCC	E2	I/O	L12	I/O
A7	INPUT	E12	I/O	L13	I/O
A8	INPUT	E13	I/O	M1	I/O
A9	INPUT	F1	I/O	M2	I/O
A10	INPUT	F2	GND	M3	I/O
A11	I/O	F3	GND	M4	I/O
A12	I/O	F11	I/O	M5	INPUT
A13	I/O	F12	VCC	M6	GND
B1	I/O	F13	VCC	M7	INPUT
B2	I/O	G1	I/O	M8	VCC
B3	I/O	G2	I/O	M9	INPUT
B4	I/O	G3	I/O	M10	I/O
B5	INPUT	G11	I/O	M11	I/O
B6	VCC	G12	I/O	M12	I/O
B7	INPUT	G13	I/O	M13	I/O
B8	GND	H1	VCC	N1	I/O
B9	INPUT	H2	VCC	N2	I/O
B10	I/O	H3	I/O	N3	I/O
B11	I/O	H11	GND	N4	INPUT
B12	I/O	H12	GND	N5	INPUT
B13	I/O	H13	I/O	N6	INPUT
C1	I/O	J1	I/O	N7	INPUT
C2	I/O	J2	I/O	N8	VCC
C6	INPUT	J12	I/O	N9	INPUT
C7	INPUT/CLK	J13	I/O	N10	I/O
C8	GND	K1	I/O	N11	I/O
C12	I/O	K2	I/O	N12	I/O
C13	I/O	K12	I/O	N13	I/O
		K13	I/O		

FIGURE 2. Terminal connections - Continued.

STANDARD MICROCIRCUIT DRAWING DEFENSE SUPPLY CENTER COLUMBUS COLUMBUS, OHIO 43218-3990	SIZE A		5962-93144
		REVISION LEVEL B	SHEET 16

Case outline U

Device types	ALL	Device types	ALL	Device types	ALL
Terminal number	Terminal symbol	Terminal number	Terminal symbol	Terminal number	Terminal symbol
1	INPUT/CLK	35	I/O	68	I/O
2	INPUT	36	INPUT	69	I/O
3	VCC	37	INPUT	70	I/O
4	VCC	38	INPUT	71	I/O
5	INPUT	39	GND	72	I/O
6	INPUT	40	GND	73	I/O
7	INPUT	41	INPUT	74	I/O
8	I/O	42	INPUT	75	I/O
9	I/O	43	INPUT	76	I/O
10	I/O	44	INPUT	77	I/O
11	I/O	45	VCC	78	INPUT
12	I/O	46	VCC	79	INPUT
13	I/O	47	INPUT	80	INPUT
14	I/O	48	INPUT	81	GND
15	I/O	49	INPUT	82	GND
16	I/O	50	I/O	83	INPUT
17	I/O	51	I/O	84	INPUT
18	I/O	52	I/O		
19	GND	53	I/O		
20	GND	54	I/O		
21	I/O	55	I/O		
22	I/O	56	I/O		
23	VCC	57	I/O		
24	VCC	58	I/O		
25	I/O	59	I/O		
26	I/O	60	I/O		
27	I/O	61	GND		
28	I/O	62	GND		
29	I/O	63	I/O		
30	I/O	64	I/O		
31	I/O	65	VCC		
32	I/O	66	VCC		
33	I/O	67	I/O		
34	I/O				

FIGURE 2. Terminal connections - Continued.

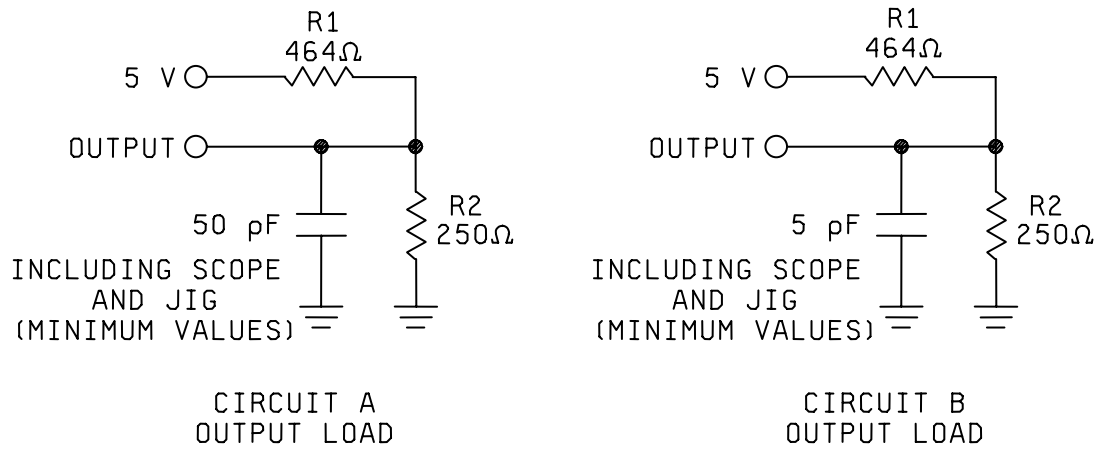
STANDARD MICROCIRCUIT DRAWING DEFENSE SUPPLY CENTER COLUMBUS COLUMBUS, OHIO 43218-3990	SIZE A		5962-93144
		REVISION LEVEL B	SHEET 17

Truth table		
Input pins		Output pins
I/CLK	I	I/O
X	X	Z

NOTES:

1. X = Don't care
2. z = High impedance

FIGURE 3. Truth table (unprogrammed).



AC test conditions

Input pulse levels	GND to 3.0 V
Input rise and fall levels	≤ 6 ns
Input timing reference levels	1.5 V
Output reference levels	1.5 V

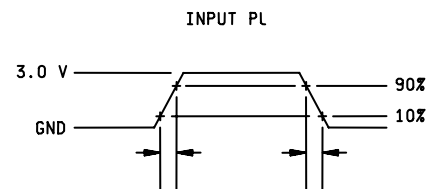


FIGURE 4. Output load circuits and test conditions.

STANDARD MICROCIRCUIT DRAWING DEFENSE SUPPLY CENTER COLUMBUS COLUMBUS, OHIO 43218-3990	SIZE A		5962-93144
		REVISION LEVEL B	SHEET 18

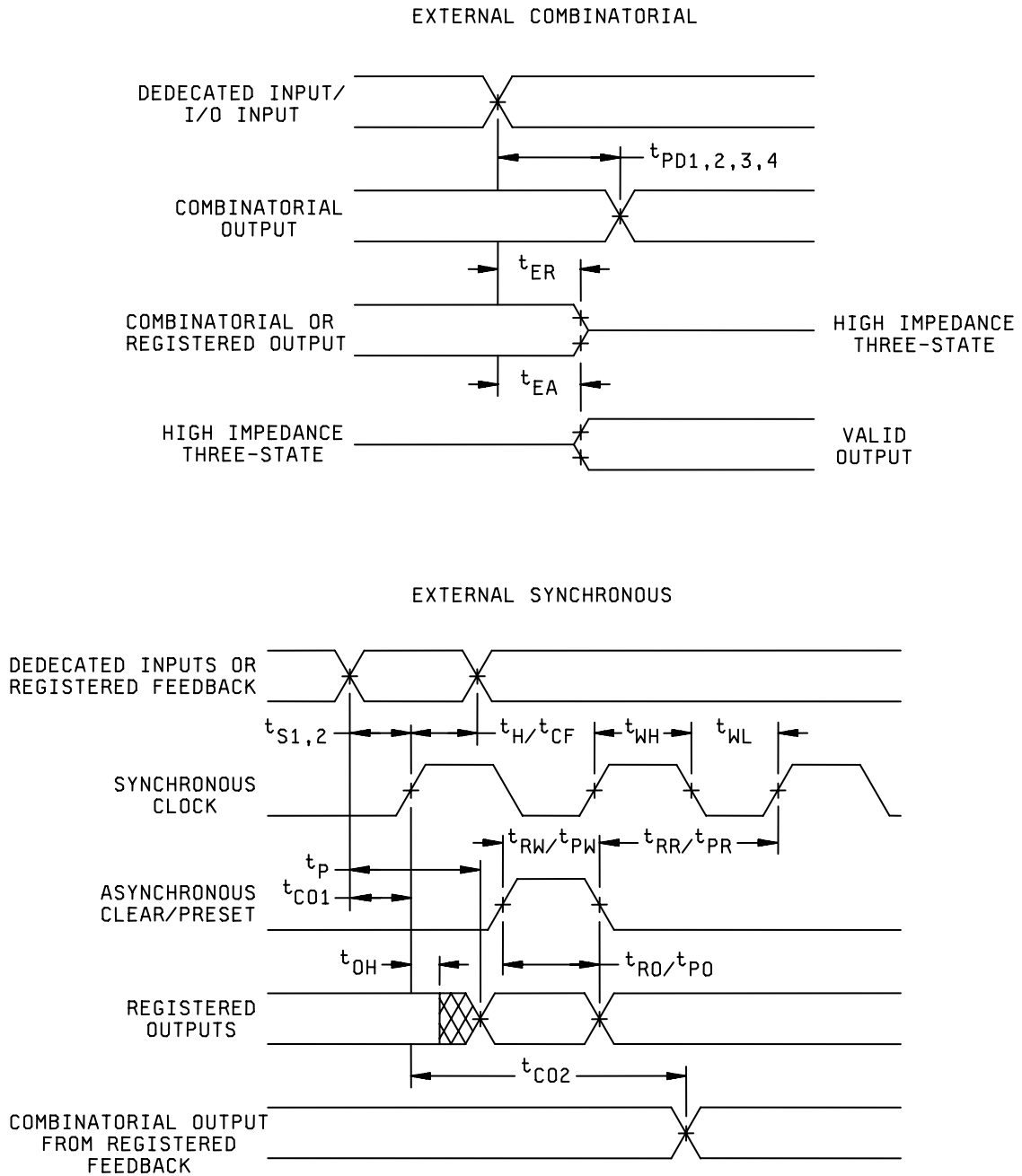


FIGURE 5. Switching waveforms.

STANDARD MICROCIRCUIT DRAWING DEFENSE SUPPLY CENTER COLUMBUS COLUMBUS, OHIO 43218-3990	SIZE A		5962-93144
		REVISION LEVEL B	SHEET 19

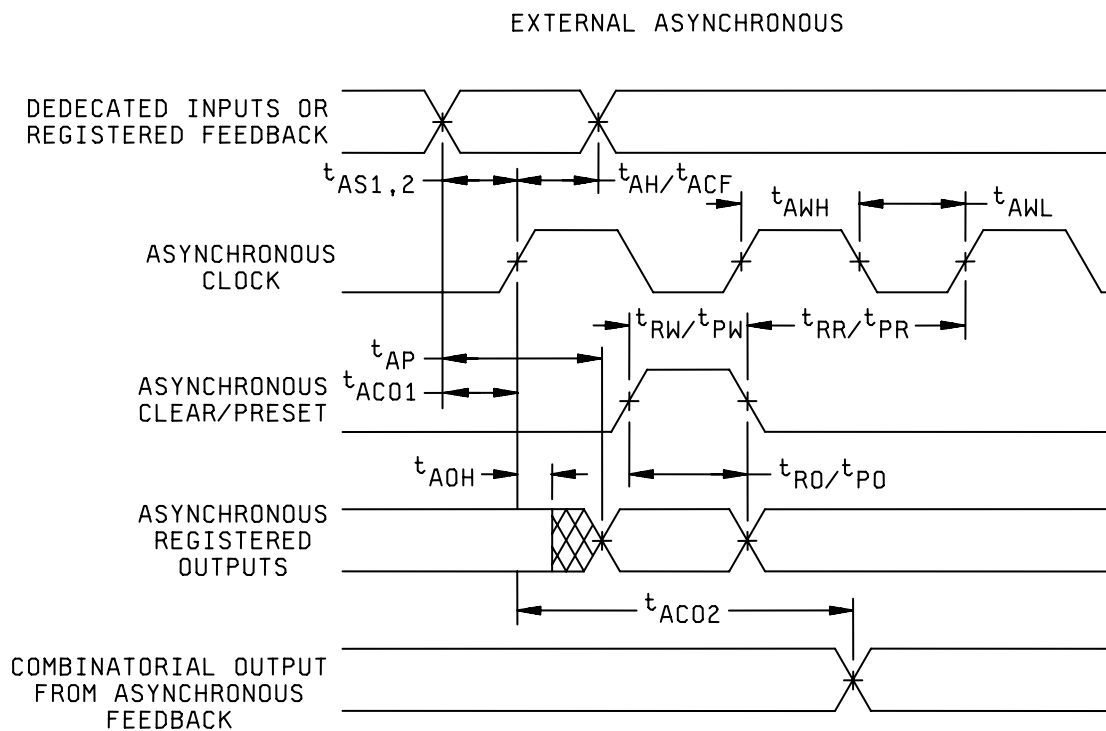


FIGURE 5. Switching waveforms - Continued.

STANDARD MICROCIRCUIT DRAWING DEFENSE SUPPLY CENTER COLUMBUS COLUMBUS, OHIO 43218-3990	SIZE A		5962-93144
		REVISION LEVEL B	SHEET 20

4. VERIFICATION

4.1 Sampling and inspection. For device classes Q and V, sampling and inspection procedures shall be in accordance with MIL-PRF-38535 or as modified in the device manufacturer's Quality Management (QM) plan. The modification in the QM plan shall not affect the form, fit, or function as described herein. For device class M, sampling and inspection procedures shall be in accordance with MIL-PRF-38535, appendix A.

4.2 Screening. For device classes Q and V, screening shall be in accordance with MIL-PRF-38535, and shall be conducted on all devices prior to qualification and technology conformance inspection. For device class M, screening shall be in accordance with method 5004 of MIL-STD-883, and shall be conducted on all devices prior to quality conformance inspection.

4.2.1 Additional criteria for device class M.

- a. Delete the sequence specified as initial (preburn-in) electrical parameters through interim (postburn-in) electrical parameters of method 5004 and substitute lines 1 through 6 of table IIA herein.
- b. Prior to burn-in, the devices shall be programmed (see 4.5 herein) with a checkerboard pattern or equivalent (manufacturers at their option may employ an equivalent pattern provided it is a topologically true alternating bit pattern). The pattern shall be read before and after burn-in. Devices having bits not in the proper state after burn-in shall constitute a device failure and shall be included in the PDA calculation and shall be removed from the lot. The manufacturer as an option may use built-in test circuitry by testing the entire lot to verify programmability and AC performance without programming the user array.
- c. The test circuit shall be maintained by the manufacturer under document revision level control and shall be made available to the preparing or acquiring activity upon request. The test circuit shall specify the inputs, outputs, biases, and power dissipation, as applicable, in accordance with the intent specified in method 1015.
 - (1) Dynamic burn-in (method 1015 of MIL-STD-883, test condition D; for circuit, see 4.2.1b herein).
 - (a) Static burn-in for device class M (method 1015 of MIL-STD-883, test condition C; for circuit, see 4.2.1c herein) may be done in lieu of dynamic burn-in.
- d. Interim and final electrical test parameters shall be as specified in table IIA herein.
- e. A data retention stress test shall be included as part of the screening procedure and shall consist of the following steps: (Steps 1 through 4 may be performed at the wafer level. Failures shall be removed from the lot. The maximum storage temperature shall not exceed +200°C for packaged devices or +300°C for unassembled devices.) If steps 1 through 4 are not done at wafer level, then a sample of 116 devices shall be selected to accomplish this test with the pass criteria of no failures.

Margin test method. (Steps 1 through 4 may be performed at wafer level.)

- (1) Program a minimum or 95 percent of the total number of cells, including the slowest programming cell (see 3.11.2).
- (2) Bake, unbiased, for 72 hours at +140°C or for 32 hours at +150°C or for 8 hours at +200°C or for 2 hours at +300°C for unassembled devices only.
- (3) Perform electrical test (see 4.2.1b) at +25°C including a margin test at $V_m = +5.7$ V and loose timing (i.e., 1 μ s).
- (4) Erase (see 3.11.1).
- (5) Verify erasure (see 3.11.3).

4.2.2 Additional criteria for device classes Q and V.

- a. The burn-in test duration, test condition and test temperature, or approved alternatives shall be as specified in the device manufacturer's QM plan in accordance with MIL-PRF-38535. The burn-in test circuit shall be maintained under document revision level control of the device manufacturer's Technology Review Board (TRB) in accordance with MIL-PRF-38535 and shall be made available to the acquiring or preparing activity upon request. The test circuit shall specify the inputs, outputs, biases, and power dissipation, as applicable, in accordance with the intent specified in method 1015 of MIL-STD-883.

STANDARD MICROCIRCUIT DRAWING DEFENSE SUPPLY CENTER COLUMBUS COLUMBUS, OHIO 43218-3990	SIZE A		5962-93144
		REVISION LEVEL B	SHEET 21

4.2.2 Additional criteria for device classes Q and V - Continued.

- b. Interim and final electrical test parameters shall be as specified in table IIA herein.
- c. Additional screening for device class V beyond the requirements of device class Q shall be as specified in MIL-PRF-38535, appendix B.

4.3 Qualification inspection for device classes Q and V. Qualification inspection for device classes Q and V shall be in accordance with MIL-PRF-38535. Inspections to be performed shall be those specified in MIL-PRF-38535 and herein for groups A, B, C, D, and E inspections (see 4.4.1 through 4.4.4).

4.4 Conformance inspection. Technology conformance inspection for classes Q and V shall be in accordance with MIL-PRF-38535 including groups A, B, C, D, and E inspections and as specified. Quality conformance inspection for device class M shall be in accordance with MIL-PRF-38535, appendix A and as specified herein. Inspections to be performed for device class M shall be those specified in method 5005 of MIL-STD-883 and herein for groups A, B, C, D, and E inspections (see 4.4.1 through 4.4.4).

4.4.1 Group A inspection.

- a. Tests shall be as specified in table IIA herein.
- b. Subgroups 5 and 6 of table I of method 5005 of MIL-STD-883 shall be omitted.
- c. For device class M, subgroups 7 and 8 tests shall be sufficient to verify the truth table. For device classes Q and V, subgroups 7 and 8 shall include verifying the functionality of the device.
- d. Devices shall be tested for programmability and ac performance compliance to the requirements of Group A, subgroups 9, 10, and 11. Either of two techniques is acceptable:
 - (1) Testing the lot using additional built-in test circuitry which allows the manufacturer to verify programmability and ac performance without programming the user array. If this is done, the resulting test patterns shall be verified on all devices during subgroups 9, 10, and 11, group A testing per the sampling plan specified in MIL-STD-883, method 5005.
 - (2) If such compliance cannot be tested on an unprogrammed device, a sample shall be selected to satisfy programmability requirements prior to performing subgroups 9, 10, and 11. Twelve devices shall be submitted to programming (see 3.2.3.1). If more than one device fails to program, the lot shall be rejected. At the manufacturer's option, the sample may be increased to 24 total devices with no more than two total device failures allowable. Ten devices from the programmability sample shall be submitted to the requirements of group A, subgroup 9, 10, and 11. If more than two devices fail, the lot shall be rejected. At the manufacturer's option, the sample may be increased to 20 total devices with no more than four total device failures allowable. After completion of all testing, the devices shall be erased and verified except devices submitted to groups C and D testing.
- e. O/V (latch-up) tests shall be measured only for initial qualification and after any design or process changes which may affect the performance of the device. For device class M, procedures and circuits shall be maintained under document revision level control by the manufacturer and shall be made available to the preparing activity or acquiring activity upon request. For device classes Q and V, the procedures and circuits shall be under the control of the device manufacturer's TRB in accordance with MIL-PRF-38535 and shall be made available to the preparing activity or acquiring activity upon request. Testing shall be on all pins, on five devices with zero failures. Latch-up test shall be considered destructive. Information contained in JEDEC Standard EIA/JESD78 may be used for reference.
- f. Subgroup 4 (C_{IN} and C_{OUT} measurements) shall be measured only for initial qualification and after any process or design changes which may affect input or output capacitance. Capacitance shall be measured between the designated terminal and GND at a frequency equal or less than 1 MHz. Sample size is 15 devices with no failures, and all input and output terminals tested.

STANDARD MICROCIRCUIT DRAWING DEFENSE SUPPLY CENTER COLUMBUS COLUMBUS, OHIO 43218-3990	SIZE A		5962-93144
		REVISION LEVEL B	SHEET 22

4.4.2 Group C inspection. The group C inspection end-point electrical parameters shall be as specified in table IIA herein.

4.4.2.1 Additional criteria for device class M. Steady-state life test conditions, method 1005 of MIL-STD-883:

- a. The devices selected for testing shall be programmed (see 3.2.3.1 herein). After completion of all testing the devices shall be erased and verified (except devices submitted to group D).
- b. Test condition D. The test circuit shall be maintained by the manufacturer under document revision level control and shall be made available to the preparing or acquiring activity upon request. The test circuit shall specify the inputs, outputs, biases, and power dissipation, as applicable, in accordance with the intent specified in method 1005.
- c. $T_A = +125^{\circ}\text{C}$, minimum.
- d. Test duration: 1,000 hours, except as permitted by method 1005 of MIL-STD-883.

4.4.2.2 Additional criteria for device classes Q and V. The steady-state life test duration, test condition and test temperature, or approved alternatives shall be as specified in the device manufacturer's QM plan in accordance with MIL-PRF-38535. The test circuit shall be maintained under document revision level control by the device manufacturer's TRB in accordance with MIL-PRF-38535 and shall be made available to the acquiring or preparing activity upon request. The test circuit shall specify the inputs, outputs, biases, and power dissipation, as applicable, in accordance with the intent specified in method 1005 of MIL-STD-883.

4.4.3 Group D inspection. The group D inspection end-point electrical parameters shall be as specified in table IIA herein.

4.4.4 Group E inspection. Group E inspection is required only for parts intended to be marked as radiation hardness assured (see 3.5 herein).

- a. End-point electrical parameters shall be as specified in table IIA herein.
- b. For device classes Q and V, the devices or test vehicle shall be subjected to radiation hardness assured tests as specified in MIL-PRF-38535 for the RHA level being tested. For device class M, the devices shall be subjected to radiation hardness assured tests as specified in MIL-PRF-38535, appendix A for the RHA level being tested. All device classes must meet the postirradiation end-point electrical parameter limits as defined in table I at $T_A = +25^{\circ}\text{C} \pm 5^{\circ}\text{C}$, after exposure, to the subgroups specified in table IIA herein.

4.5 Programming procedure. The programming procedures shall be as specified by the device manufacturer and shall be made available upon request.

4.6 Erasing procedures. The recommended erasure procedure is exposure to shortwave ultraviolet light which has a wavelength of 2537 angstroms (Å). The integrated dose (i.e., ultraviolet intensity x exposure time) for erasure should be a minimum of fifteen (15) Ws/cm^2 . The erasure time with this dosage is approximately 15 to 20 minutes using an ultraviolet lamp with a $1200 \mu\text{W}/\text{cm}^2$ power rating. The device should be placed within one inch of the lamp tubes during erasure. The maximum integrated dose the device can be exposed to without damage is $7258 \text{Ws}/\text{cm}^2$ (1 week at $12,000 \mu\text{W}/\text{cm}^2$). Exposure of the device to high intensity ultraviolet light for long periods may cause permanent damage.

4.7 Delta measurements for device class V. Delta measurements, as specified in table IIA, shall be made and recorded before and after the required burn-in screens and steady-state life tests to determine delta compliance. The electrical parameters to be measured, with associated delta limits are listed in table IIB. The device manufacturer may, at his option, either perform delta measurements or within 24 hours after burn-in perform final electrical parameter tests, subgroups 1, 7, and 9.

5. PACKAGING

5.1 Packaging requirements. The requirements for packaging shall be in accordance with MIL-PRF-38535 for device classes Q and V or MIL-PRF-38535, appendix A for device class M.

STANDARD MICROCIRCUIT DRAWING DEFENSE SUPPLY CENTER COLUMBUS COLUMBUS, OHIO 43218-3990	SIZE A		5962-93144
		REVISION LEVEL B	SHEET 23

TABLE IIA. Electrical test requirements. 1/ 2/ 3/ 4/ 5/ 6/ 7/

Line no.	Test requirements	Subgroups (in accordance with MIL-STD-883, TM 5005, table I)	Subgroups (in accordance with MIL-PRF-38535, table III)	
		Device class M	Device class Q	Device class V
1	Interim electrical parameters (see 4.2)			1,7,9 or 2,8A,10
2	Static burn-in (method 1015)	Not required	Not required	Required
3	Same as line 1			1* Δ
4	Dynamic burn-in (method 1015)	Required	Required	Required
5	Same as line 1			7* Δ
6	Final electrical test parameters for unprogrammed devices	1*,2,3,7*, 8A,8B	1*,2,3,7*, 8A,8B	1*,2,3,7*, 8A,8B
6a	Final electrical test parameters for programmed devices	1*,2,3,7*, 8A,8B,9	1*,2,3,7*, 8A,8B,9	1*,2,3,7*, 8A,8B,9
7	Group A test requirements	1,2,3,4**, 7,8A,8B,9, 10,11	1,2,3,4**, 7,8A,8B,9, 10,11	1,2,3,4**, 7,8A,8B,9, 10,11
8	Group C end-point electrical parameters	2,3,7, 8A,8B	1,2,3,7, 8A,8B	1,2,3,7, 8A,8B,9, 10,11 Δ
9	Group D end-point electrical parameters	2,3,7, 8A,8B	2,3,7, 8A,8B	2,3,7, 8A,8B
10	Group E end-point electrical parameters	1,7,9	1,7,9	1,7,9

- 1/ Blank spaces indicate tests are not applicable.
 2/ Any or all subgroups may be combined when using high-speed testers.
 3/ Subgroups 7 and 8 functional tests shall verify the truth table.
 4/ * indicates PDA applies to subgroup 1 and 7.
 5/ ** see 4.4.1f.
 6/ Δ indicates delta limit (see table IIB) shall be required where specified, and the delta values shall be computed with reference to the previous interim electrical parameters (see line 1).
 7/ See 4.4.1e.

STANDARD MICROCIRCUIT DRAWING DEFENSE SUPPLY CENTER COLUMBUS COLUMBUS, OHIO 43218-3990	SIZE A		5962-93144
		REVISION LEVEL B	SHEET 24

Table IIB. Delta limits at +25°C.

Parameter ^{1/}	Device types
	All
I _{CC2}	±10% of specified value in table I
I _{I_X}	±10% of specified value in table I

^{1/} The above parameter shall be recorded before and after the required burn-in and life tests to determine the delta.

6. NOTES

6.1 Intended use. Microcircuits conforming to this drawing are intended for use for Government microcircuit applications (original equipment), design applications, and logistics purposes.

6.1.1 Replaceability. Microcircuits covered by this drawing will replace the same generic device covered by a contractor prepared specification or drawing.

6.1.2 Substitutability. Device class Q devices will replace device class M devices.

6.2 Configuration control of SMD's. All proposed changes to existing SMD's will be coordinated with the users of record for the individual documents. This coordination will be accomplished using DD Form 1692, Engineering Change Proposal.

6.3 Record of users. Military and industrial users should inform Defense Supply Center Columbus (DSCC) when a system application requires configuration control and which SMD's are applicable to that system. DSCC will maintain a record of users and this list will be used for coordination and distribution of changes to the drawings. Users of drawings covering microelectronic devices (FSC 5962) should contact DSCC-VA, telephone (614) 692-0544.

6.4 Comments. Comments on this drawing should be directed to DSCC-VA , Columbus, Ohio 43218-3990, or telephone (614) 692-0547.


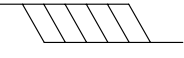
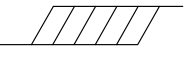
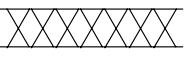
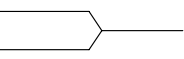
6.5 Symbols, definitions, and definitions. The abbreviations, symbols, and definitions used herein are defined in MIL-PRF-38535, MIL-STD-1331, and as follows:

- C_{IN}..... Input terminal capacitance.
- C_{OUT}..... Output terminal capacitance.
- V_{SS}..... Ground zero voltage potential.
- I_{CC}..... Supply current.
- I_{I_X}..... Input current.
- I_{OZ}..... Output current.
- T_C..... Case temperature.
- V_{CC}..... Positive supply voltage.

6.5.1 Timing limits. The table of timing values shows either a minimum or a maximum limit for each parameter. Input requirements are specified from the external system point of view. For example, address setup time would be shown as a minimum since the system must supply at least that much time (even though most devices do not require it). On the other hand, responses from the memory are specified from the device point of view. For example, the access time would be shown as a maximum since the device never provides data later than that time.

STANDARD MICROCIRCUIT DRAWING DEFENSE SUPPLY CENTER COLUMBUS COLUMBUS, OHIO 43218-3990	SIZE A		5962-93144
		REVISION LEVEL B	SHEET 25

6.5.2 Waveforms.

Waveform symbol	Input	Output
	MUST BE VALID	WILL BE VALID
	CHANGE FROM H TO L	WILL CHANGE FROM H TO L
	CHANGE FROM L TO H	WILL CHANGE FROM L TO H
	DON'T CARE ANY CHANGE PERMITTED	CHANGING STATE UNKNOWN
		HIGH IMPEDANCE

6.6 Sources of supply.

6.6.1 Sources of supply for device classes Q and V. Sources of supply for device classes Q and V are listed in QML-38535. The vendors listed in QML-38535 have submitted a certificate of compliance (see 3.6 herein) to DSCC-VA and have agreed to this drawing.

6.6.2 Approved sources of supply for device class M. Approved sources of supply for class M are listed in MIL-HDBK-103. The vendors listed in MIL-HDBK-103 have agreed to this drawing and a certificate of compliance (see 3.6 herein) has been submitted to and accepted by DSCC-VA.

STANDARD MICROCIRCUIT DRAWING DEFENSE SUPPLY CENTER COLUMBUS COLUMBUS, OHIO 43218-3990	SIZE A		5962-93144
		REVISION LEVEL B	SHEET 26

STANDARD MICROCIRCUIT DRAWING BULLETIN

DATE: 07-02-28

Approved sources of supply for SMD 5962-93144 are listed below for immediate acquisition only and shall be added to MIL-HDBK-103 and QML-38535 during the next revision. MIL-HDBK-103 and QML-38535 will be revised to include the addition or deletion of sources. The vendors listed below have agreed to this drawing and a certificate of compliance has been submitted to and accepted by DSCC-VA. This information bulletin is superseded by the next dated revision of MIL-HDBK-103 and QML-38535. DSCC maintains an online database of all current sources of supply at <http://www.dsc.dla.mil/Programs/Smcr/>.

Standard microcircuit drawing PIN <u>1/</u>	Vendor CAGE number	Vendor similar PIN <u>2/</u>
5962-9314401MXA	<u>3/</u>	EPM5130WM883B
5962-9314401MYA	<u>3/</u>	EPM5130GM883B
5962-9314401MZA	<u>3/</u> 0C7V7	EPM5130GM883B CY7C346-35RMB
5962-9314401MUA	0C7V7	CY7C346-35HMB
5962-9314402MXA	<u>3/</u>	EPM5130WM883B-2
5962-9314402MYA	<u>3/</u>	EPM5130GM883B-2
5962-9314402MZA	<u>3/</u> 0C7V7	EPM5130GM883B-2 CY7C346-30RMB
5962-9314402MUA	0C7V7	CY7C346-30HMB

1/ The lead finish shown for each PIN representing a hermetic package is the most readily available from the manufacturer listed for that part. If the desired lead finish is not listed, contact the Vendor to determine its availability.

2/ Caution. Do not use this number for item acquisition. Items acquired to this number may not satisfy the performance requirements of this drawing.

3/ Not available from an approved source of supply.

Vendor CAGE
number

Vendor name
and address

0C7V7

QP Semiconductor
2945 Oakmead Village Court
Santa Clara, CA 95051

The information contained herein is disseminated for convenience only and the Government assumes no liability whatsoever for any inaccuracies in this information bulletin.