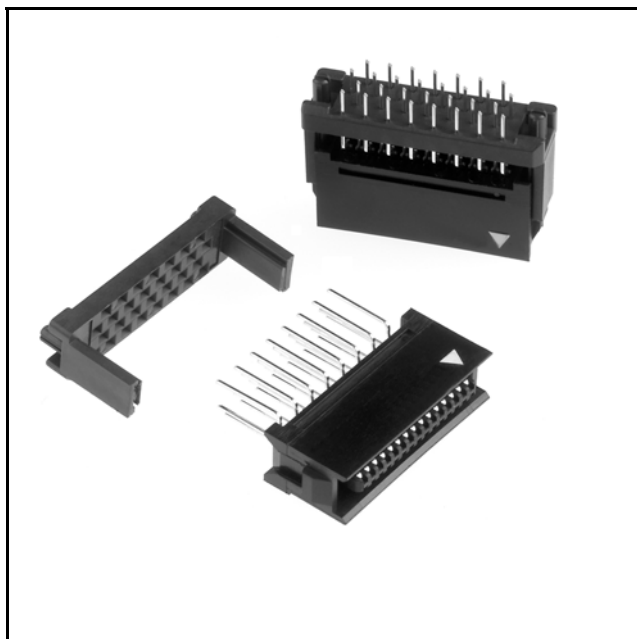


# 3M™ Pak 50 Boardmount Plug

050" Thru-hole, Vertical Stacking

P50 Series



- Stacking connector available in 20, 24 and 30 mm stacking heights
- Mates with standard 3M™ Pak 50 2-piece socket connectors (P50-XXXX-R1-XXX and P50-XXXX-RR1-XXX)
- Alignment posts facilitate mating
- RoHS\* compliant version (EA plating suffix) available

Date Modified: May 15, 2006

TS-2048-03  
Sheet 1 of 3

---

## Physical

### Insulation

Material: Glass filled Nylon  
Flammability: UL 94V-0  
Color: Black

### Contact

Material: Phosphor Bronze

### Plating

Underplating: Nickel  
Wiping Area: Gold (see ordering information)  
Solder Tails: Tin Lead or Gold Flash (RoHS compliant) (See ordering information)

---

## Electrical

**Current Rating:** 0.5 A  
**Insulation Resistance:**  $> 1 \times 10^3 \Omega$  at 500 Vdc  
**Withstanding Voltage:** 650V AC for 1 minute

---

## Environmental

**Temperature Rating:** -55°C to +85°C  
**Process Rating:** 260°C (per J-STD-020C)

"RoHS compliant" means that the product or part does not contain any of the following substances in excess of the following maximum concentration values in any homogeneous material, unless the substance is in an application that is exempt under RoHS: (a) 0.1% (by weight) for lead, mercury, hexavalent chromium, polybrominated biphenyls or polybrominated diphenyl ethers; or (b) 0.01% (by weight) for cadmium. Unless otherwise stated by 3M in writing, this information represents 3M's knowledge and belief based upon information provided by third party suppliers to 3M.

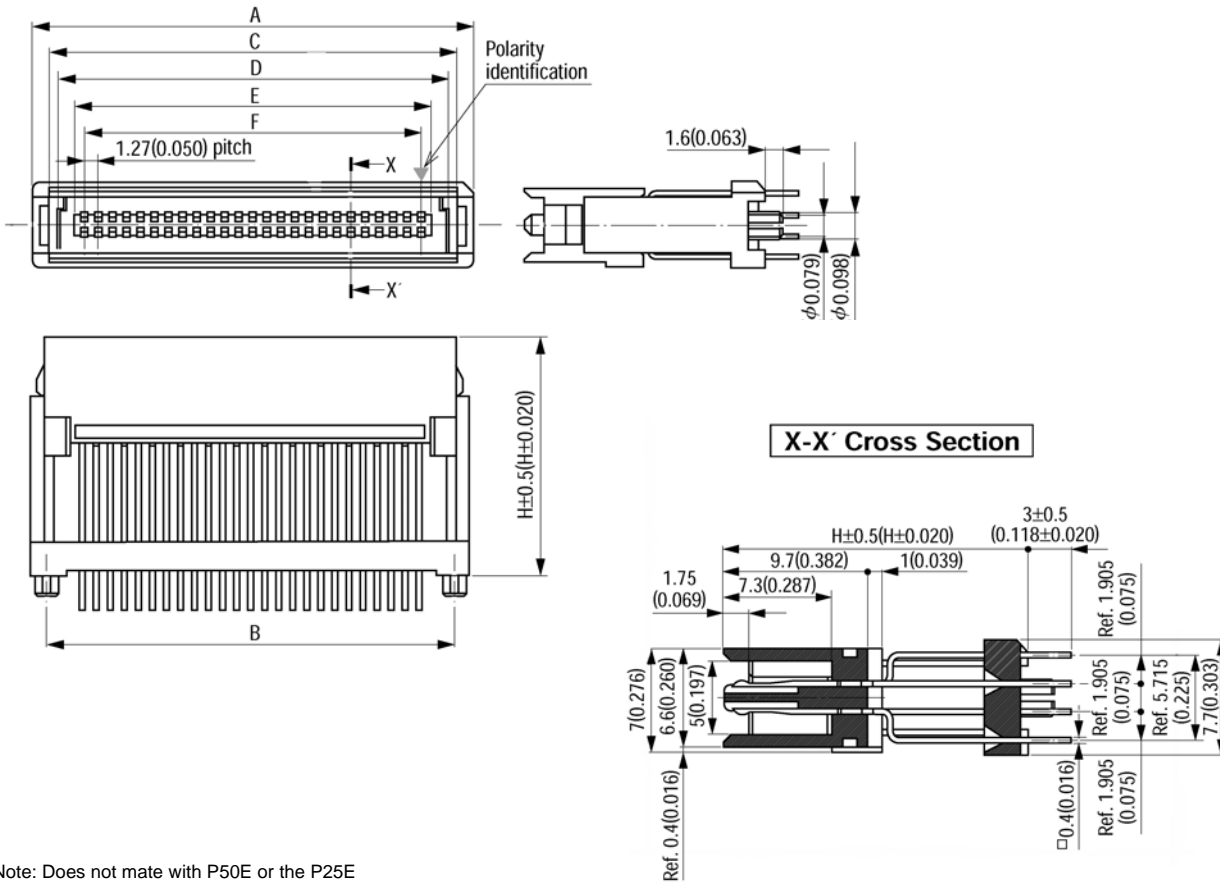
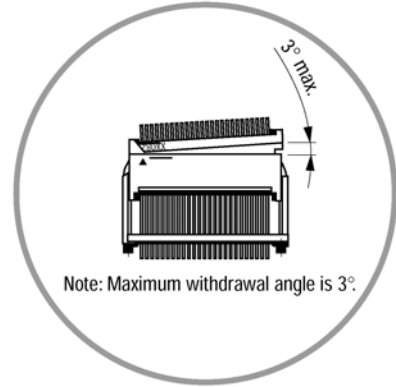
# 3M™ Pak 50 Boardmount Plug

050" Thru-hole, Vertical Stacking

P50 Series

Product Table / Dimensions

Contact Quantity	A	B	C	D	E	F
20	20.63 [0.812]	17.78 [0.700]	17.83 [0.702]	15.83 [0.623]	13.13 [0.517]	11.43 [0.450]
30	26.98 [1.062]	24.13 [0.950]	24.18 [0.952]	22.18 [0.873]	19.48 [0.767]	17.78 [0.700]
40	33.33 [1.312]	30.48 [1.200]	30.53 [1.202]	28.53 [1.123]	25.83 [1.017]	24.13 [0.950]
50	39.68 [1.562]	36.83 [1.450]	36.88 [1.452]	34.88 [1.373]	32.18 [1.267]	30.48 [1.200]
60	46.03 [1.812]	43.18 [1.700]	43.23 [1.702]	41.23 [1.623]	38.53 [1.517]	36.83 [1.450]
80	58.73 [2.312]	55.88 [2.200]	55.93 [2.202]	53.93 [2.123]	51.23 [2.017]	49.53 [1.950]
100	71.43 [2.812]	68.58 [2.700]	68.63 [2.702]	66.63 [2.623]	63.93 [2.517]	62.23 [2.450]



## Ordering Information

**P50 - XXXP - XXX - XXX**

Contact Quantity  
See table

Stacking Heights:  
S20 = 20 mm [ 0.79" ]  
S24 = 24 mm [ 0.95" ]  
S30 = 30 mm [ 1.18" ]

Plating suffix:  
TGF = Gold Flash with tin-lead solder tails  
TG = 10 u" [.25 um] Gold with tin-lead tails  
EA = 10 u" [.25 um] Gold with Gold Flash tails (RoHS compliant)

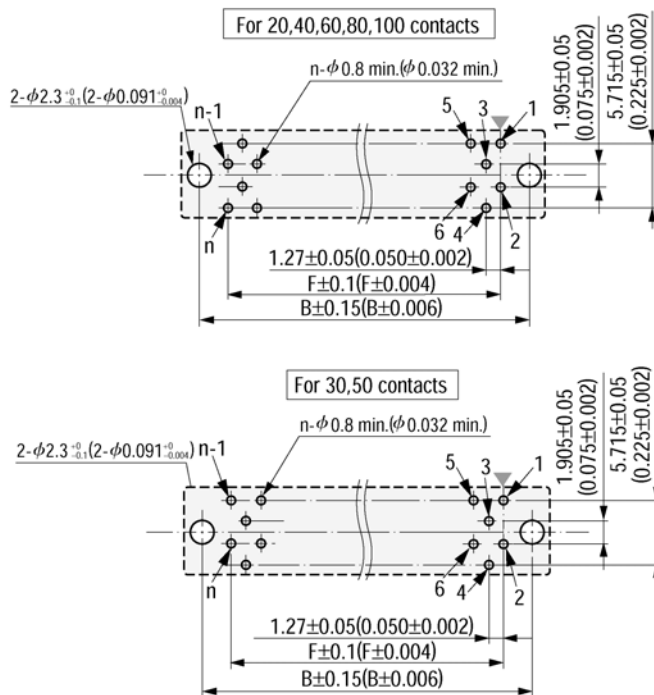
TS-2048-03  
Sheet 2 of 3

# 3M™ Pak 50 Boardmount Plug

050" Thru-hole, Vertical Stacking

P50 Series

## Printed Circuit Board Layout (Component Side View)



▼=Polarity identification

Recommended PCB Thickness  $t=1.6\pm0.19(0.063\pm0.007)$

"n" is number of contacts.

Note: Does not mate with P50E or the P25E

TS-2048-03  
Sheet 3 of 3

## Important Notice

All statements, technical information, and recommendations related to 3M's products are based on information believed to be reliable, but the accuracy or completeness is not guaranteed. Before using this product, you must evaluate it and determine if it is suitable for your intended application. You assume all risks and liability associated with such use. Any statements related to the product which are not contained in 3M's current publications, or any contrary statements contained on your purchase order shall have no force or effect unless expressly agreed upon, in writing, by an authorized officer of 3M.

# 3M

## 3M Electronics

6801 River Place Blvd.  
Austin, TX 78726-9000  
800/225-5373  
[www.3M.com/electronics](http://www.3M.com/electronics)

## Warranty; Limited Remedy; Limited Liability.

This product will be free from defects in material and manufacture for a period of one (1) year from the time of purchase. **3M MAKES NO OTHER WARRANTIES INCLUDING, BUT NOT LIMITED TO, ANY IMPLIED WARRANTY OF MERCHANTABILITY OR FITNESS FOR A PARTICULAR PURPOSE.** If this product is defective within the warranty period stated above, your exclusive remedy shall be, at 3M's option, to replace or repair the 3M product or refund the purchase price of the 3M product. **Except where prohibited by law, 3M will not be liable for any indirect, special, incidental or consequential loss or damage arising from this 3M product, regardless of the legal theory asserted.**



Minimum 10%  
Post-Consumer Fiber

Printed in USA.

© 3M 2006