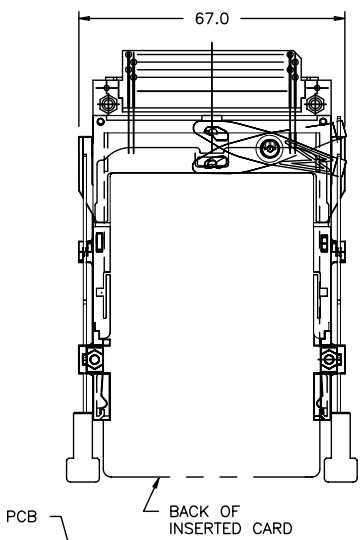


Tous droits strictement réservés. Reproduction ou communication à des tiers
interdite sous quelque forme que ce soit sans autorisation écrite du propriétaire.
Property of FCI. Prohibits de reproduction FCI.

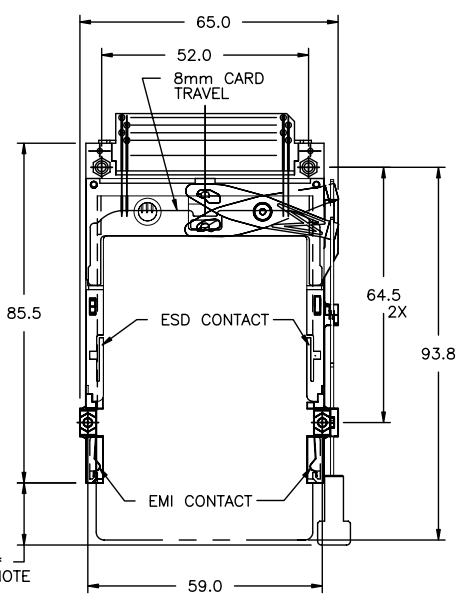
All rights strictly reserved. Reproduction or issue to third parties in any
form whatever is not permitted without written authority from the proprietor.
Property of FCI. Copyright FCI.

PRODUCT NUMBER
94050-XXXX/XXXXLF

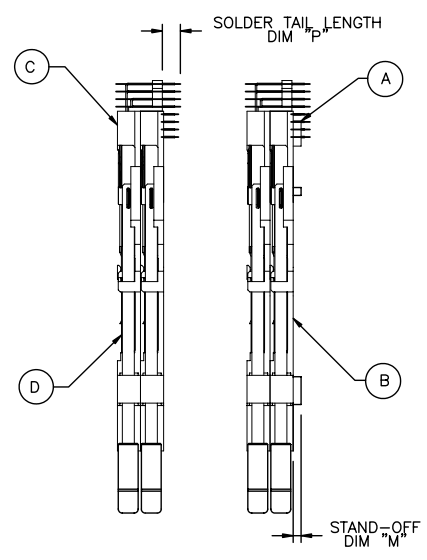
PCMCIA COMPONENTS
DOUBLE DECK 5V EJECT HEADER ASSEMBLY
65mm WIDE, 8mm CARD TRAVEL



LEFT/RIGHT PUSH ROD
RT. ANGLE SOLDER TAIL
BELOW PCB SIDE
P/N: 94050-600CA/600CALF



RIGHT/RIGHT PUSH ROD
RT. ANGLE SOLDER TAIL
ABOVE PCB SIDE
P/N: 94050-200CA/200CALF



STAND-OFF
RT. ANGLE
SOLDER TAIL

NOTE: * 21 FOR 94050-220FA/220FALF

CONFIDENTIAL

mat'l. code		tolerances unless otherwise specified		CUSTOMER COPY	
ltr	ecn no	dr	date	linear	projection
A	V41863	RDS	12/7/94	.X±.3	MM
B	V50126	MSC	2/3/95	.XX±.13	MM
C	V50254	MSC	3/1/95	.XXX±.051	MM
D	V60578	RHG	4/9/96	0° ±2°	MM
E	V02234	RJR	10/10/00		MM
F	V12707	RGD	11/15/01		MM
G	N05-0045	WB	02/18/05		MM
sheet index	revision sheet	G	G	G	
1	2	3			

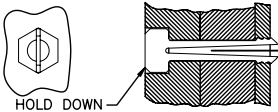
FCI www.fciconnect.com
DOUBLE DECK 5V EJECT HEADER ASSY
 product family MCS code -
 size dwg no A4 94050 sheet 1 of 3
 scale 3/4
 cage code
 STATUS: **Released**
 Printed: Oct 12, 2010

DESCRIPTION: ABOVE AND BELOW P.C.B., DECK AND PUSH-ROD LOCATION ARE AS VIEW BY USER.

PRODUCT NO. 94050-XXXX	STAND OFF DIM "M" (mm)	UPPER DECK		LOWER DECK		DIM "P" (mm)	HEADER COLOR	MOUNTING STYLE TO PCB & PUSH ROD SIDE
		MECHANISM 95079- XXXX ④	HEADER 92140- XXX ③	MECHANISM 95079- XXXX ②	HEADER 92140- XXX ①			
000CA	0	00CA	005	10CA	000	2.8	BLACK	
020CA	2	00CA	045	12CA	040	2.5	BLACK	
000CALF	0	00CA	005LF	10CA	000LF	2.8	BLACK	
020CALF	2	00CA	045LF	12CA	040LF	2.5	BLACK	
100CA	0	10CA	005	00CA	000	2.8	BLACK	
120CA	2	10CA	045	02CA	040	2.5	BLACK	
100CALF	0	10CA	005LF	00CA	000LF	2.8	BLACK	
120CALF	2	10CA	045LF	02CA	040LF	2.5	BLACK	
200CA	0	00CA	005	00CA	000	2.8	BLACK	
220CA	2	00CA	045	02CA	040	2.5	BLACK	
220FA	2	00FA	045	02FA	040	2.5	BLACK	
200CALF	0	00CA	005LF	00CA	000LF	2.8	BLACK	
220CALF	2	00CA	045LF	02CA	040LF	2.5	BLACK	
220FALF	2	00FA	045LF	02FA	040LF	2.5	BLACK	
300CA	0	10CA	005	10CA	000	2.8	BLACK	
320CA	2	10CA	045	12CA	040	2.5	BLACK	
300CALF	0	10CA	005LF	10CA	000LF	2.8	BLACK	
320CALF	2	10CA	045LF	12CA	040LF	2.5	BLACK	
500CA	0	00CA	505	10CA	500	2.8	NATURAL	
520CA	2	00CA	545	12CA	540	2.5	NATURAL	
500CALF	0	00CA	505LF	10CA	500LF	2.8	NATURAL	
520CALF	2	00CA	545LF	12CA	540LF	2.5	NATURAL	
600CA	0	10CA	505	00CA	500	2.8	NATURAL	
620CA	2	10CA	545	02CA	540	2.5	NATURAL	
600CALF	0	10CA	505LF	00CA	500LF	2.8	NATURAL	
620CALF	2	10CA	545LF	02CA	540LF	2.5	NATURAL	
700CA	0	10CA	505	10CA	500	2.8	NATURAL	
720CA	2	10CA	545	12CA	540	2.5	NATURAL	
700CALF	0	10CA	505LF	10CA	500LF	2.8	NATURAL	
720CALF	2	10CA	545LF	12CA	540LF	2.5	NATURAL	
800CA	0	00CA	505	00CA	500	2.8	NATURAL	
820CA	2	00CA	545	02CA	540	2.5	NATURAL	
800CALF	0	00CA	505LF	00CA	500LF	2.8	NATURAL	
820CALF	2	00CA	545LF	02CA	540LF	2.5	NATURAL	

NOTES:

- REFER TO HEADER DRAWING 92140 AND EJECT MECHANISM 95079 FOR ADDITIONAL DIMENSIONS, MATERIAL, AND PLATING INFORMATION.
- RECOMMENDED SCREW TORQUE: 1.0 TO 1.5 MAX in-lbs. (1.2-1.7 cm-kgs). RECOMMENDED HOLD-DOWN: 2mm SCREWS AND NUTS. SEE DRAWINGS 95121 AND 92869.
- FOR SINGLE-DECK APPLICATIONS, SEE DRAWING 95620.
- ADD "H" TO END OF PRODUCT NO. FOR OPTIONAL SOLDERABLE HOLD DOWN.



PRODUCT NO.	STAND-OFF	HOLD-DOWN P/N(4)
94050-X00CAH/X00CAHLF	0mm	93925-005
94050-X20CAH/X20CAHLF	2mm	93925-006

CONFIDENTIAL

mat'l. code		tolerances unless otherwise specified		CUSTOMER COPY		A FCI www.fciconnect.com	
ltr	ecn no	dr	date	linear	.X±.3	projection	title
G				angles	.XX±.13		DOUBLE DECK 5V EJECT HEADER ASSY
				dr	.XXX±.051		product family
				engr	0' ±2"	MM	code
				chr	D.SHEAFFER 11/17/94	scale	size
				appd	D.BRANN 12/7/94	1/1	dwg no
					D.BRANN 12/7/94		94050
sheet index	revision sheet						code
							2026
							Released
							4
							Printed: Oct 12, 2010

Tous droits strictement réservés. Reproduction ou communication e des tiers sans autorisation écrite de la FCI. Propriété de FCI. Droits de reproduction FCI.

All rights strictly reserved. Reproduction or issue to third parties in any form without written authority from the proprietor. Property of FCI. Copyright FCI.

