

**Quick Reference**

Search by part #

Check distributor part inventory

**Products**

Browse Products

-By Device -

-By Product Line -

-Attachment Methods -

-Interface Materials -

-Accessories -

**Useful Links**

- [Building a Part #](#)
- [Catalog Request](#)
- [Directions](#)
- [Find Distributor](#)
- [Find Sales Rep](#)
- [How to Order?](#)
- [MSDS Safety Sheets](#)
- [Part # Cross Ref](#)
- [Quote Request](#)
- [RoHS Initiative](#)
- [Sample Request](#)

For use with TO -220 packages

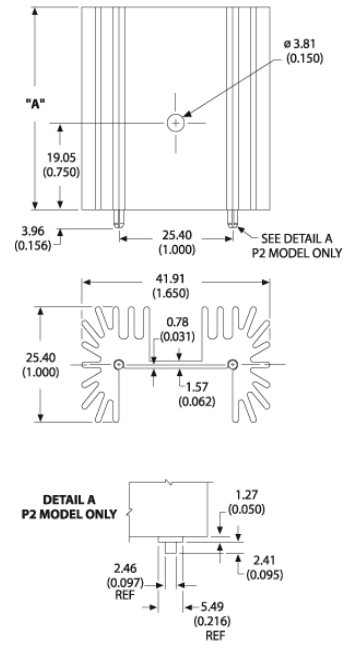
Printer friendly version

Part Number - 6399B - P2G

RoHS Product Change Notice

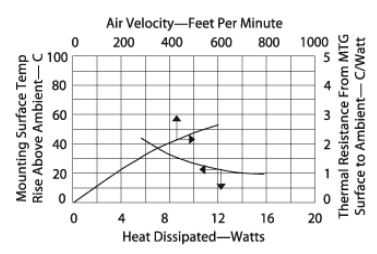


Mechanical Outline Drawing



A Dim 50.80

Thermal Curves



<b>Thermal Resistance</b>	3.30
---------------------------	------

Thermal resistance value is based on a 75°C rise in natural convection

Product Information

Part #	Description	Finish	Board Mounting
6399B - P2G	High power extruded Heatsink with large radial fins and solderable shoulder pins	Black Anodize	<a href="#">View Hole Dimensions</a>

This non -electronic component is functionally unaffected by the normal soldering or reflow processes used for semiconductor circuits. The heat resistance time or heat resistance temperature is not applicable for the component.

Not Exactly what you need?

We offer several options for those applications which require a more unique solution. For slight modifications of this part or other attachment options, finishes, and interface materials, contact your [local representative](#). Challenge us with your thermal requirements - we can design custom solutions.