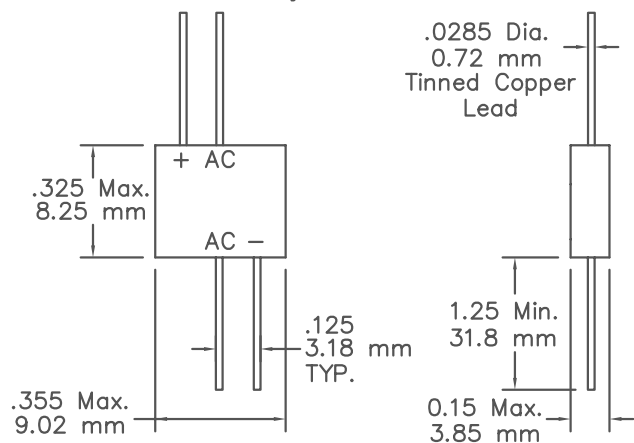


1.5A Single Phase Bridges Standard and Fast Recovery

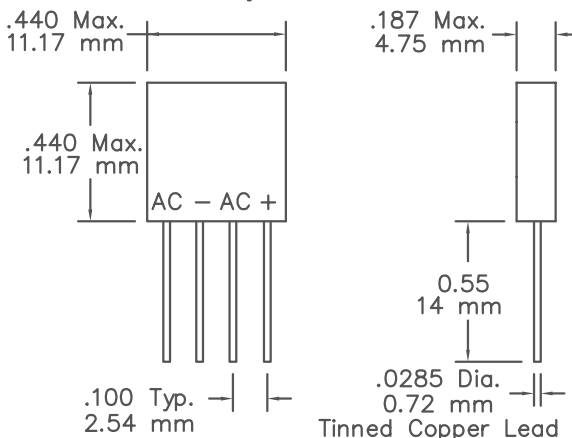
673-1 to 673-6 and 676-1 to 676-6

673, 676 Series-G Body



When specifying "G" body add suffix "G" i.e. 673-1G

673, 676 Series-S Body



When specifying "S" body add suffix "S" i.e. 673-1S

Microsemi Catalog Number Standard Recovery	Microsemi Catalog Number Fast Recovery	Working Peak Reverse Voltage	Repetitive Peak Reverse Voltage
673-1	676-1	100V	100V
673-2	676-2	200V	200V
673-3	676-3	300V	300V
673-4	676-4	400V	400V
673-5	676-5	500V	500V
673-6	676-6	600V	600V

- Miniature package
- VRRM 100-600 Volts
- Only fused-in-glass diodes used
- 150°C junction temperature
- High surge ratings
- Controlled avalanche characteristics
- MIL-PRF-19500 Similarity
- Sn/Pb terminations

Electrical Characteristics

Maximum surge current-Standard	I _{FSM} 25 Amps	8.3ms half sine
Maximum surge current-Fast Recovery	I _{FSM} 20 Amps	8.3ms half sine
Max. peak forward voltage per leg-Std.	V _{FM} 1.10 Volts	I _{FM} = 1.0A, T _J = 25°C*
Max. peak forward voltage per leg-Fast	V _{FM} 1.10 Volts	I _{FM} = 0.5A, T _J = 25°C*
Max. peak reverse current-Std.	I _{RM} 2 μA	VRRM, T _J = 25°C
Max. peak reverse current-Std.	I _{RM} 100 μA	VRRM, T _J = 100°C
Max. peak reverse current-Fast	I _{RM} 3 μA	VRRM, T _J = 25°C
Max. peak reverse current-Fast	I _{RM} 150 μA	VRRM, T _J = 100°C
Max. peak reverse current-Fast	t _{rr} 500 nS	10mA/10mA/5mA

*Pulse test: Pulse width 300 μsec, Duty cycle 2%

Thermal and Mechanical Characteristics

Storage temp range	T _{STG}	-65°C to 150°C
Operating junction temp range	T _J	-65°C to 150°C
Max thermal resistance	R _{θJA}	15°C/W junction to ambient
Weight-G series		0.05 ounces (1.4 grams) typical
Weight-S series		0.11 ounces (3.1 grams) typical

673-1 to 673-6 & 676-1 to 676-6

Figure 1
Typical Leakage Current vs. PIV

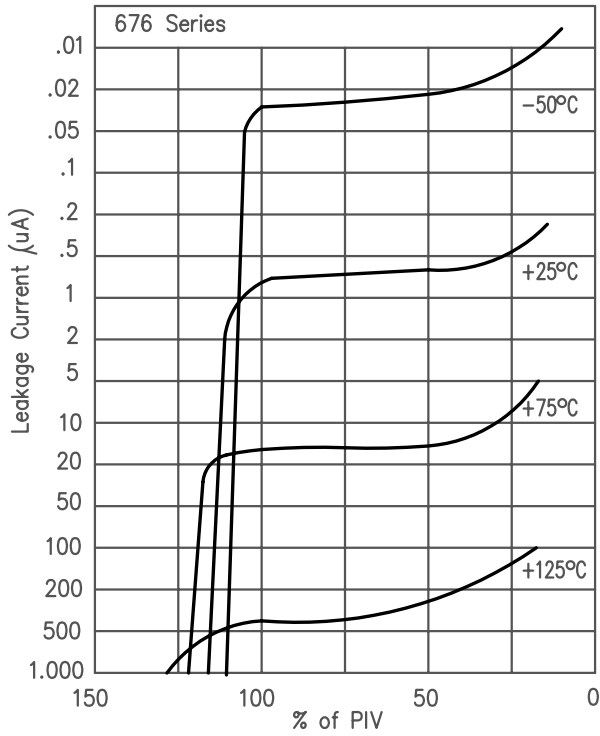


Figure 2
Typical Leakage Current Per Leg vs. PIV

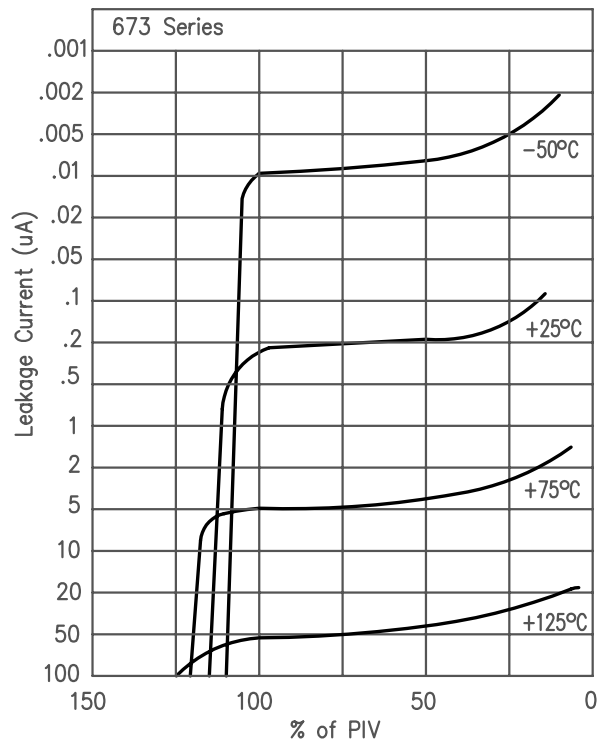


Figure 3
Typical Forward Voltage Per Leg vs. Forward Current

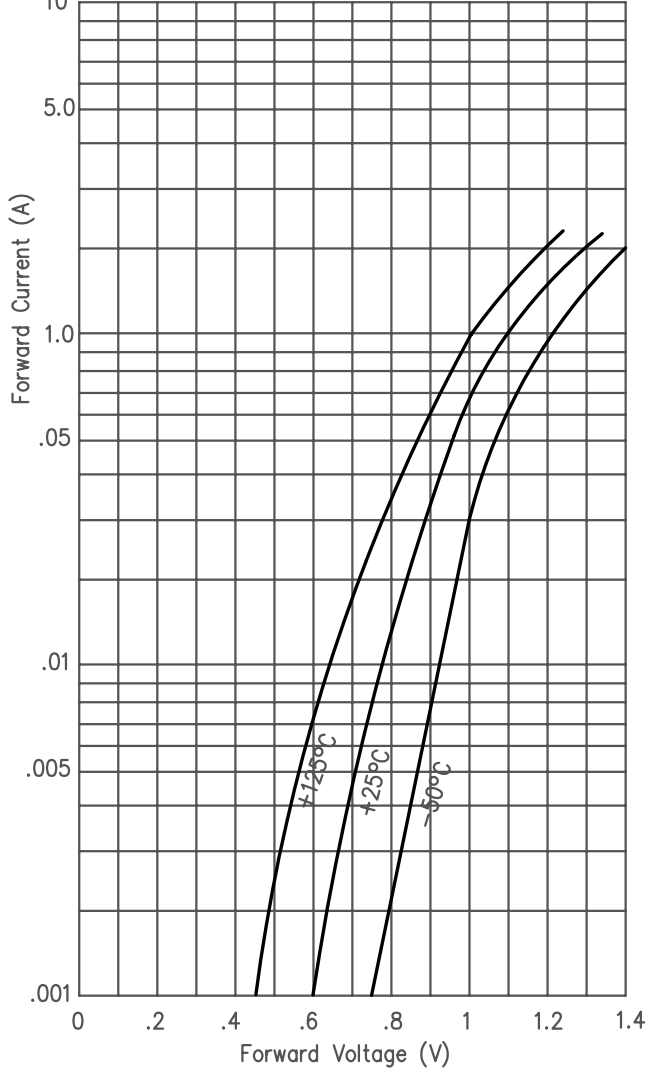


Figure 4
Current Derating Curve

