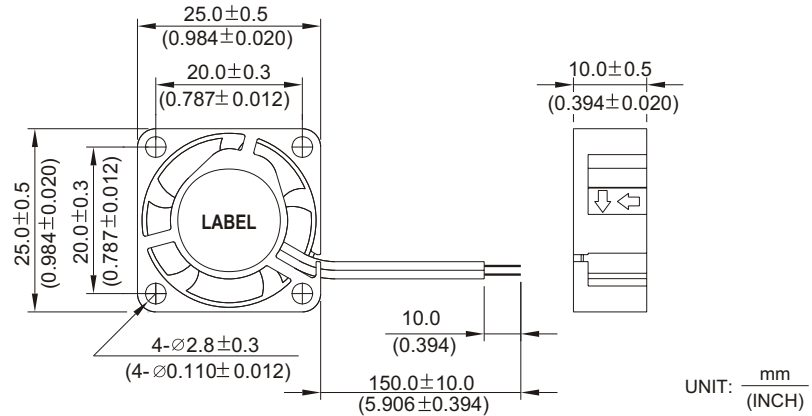


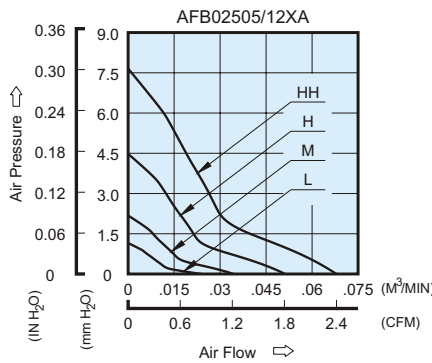
AFB 25 x 25 x 10 MM SERIES

DIMENSIONS DRAWING

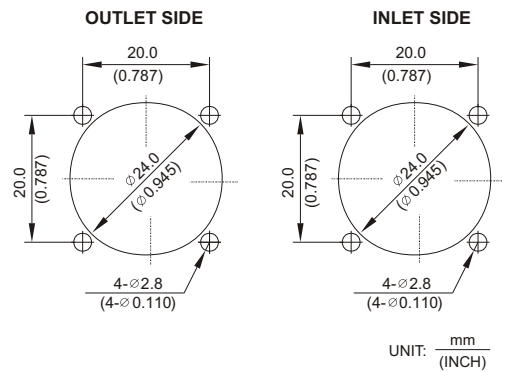


- * Bearing Type
Ball Bearings
- * Material
Impeller & Frame : Plastic (UL 94V-0)
- * Lead Wires :
UL 1061 AWG #26 OR Equivalent
Red Wire Positive (+)
Black Wire Negative (-)
- * Weight : 10.5g (0.37 oz)
- * Rib Type Only & One Side Flange

P & Q CURVE (AT RATED VOLTAGE)



MOUNTING PANEL CUTOUT

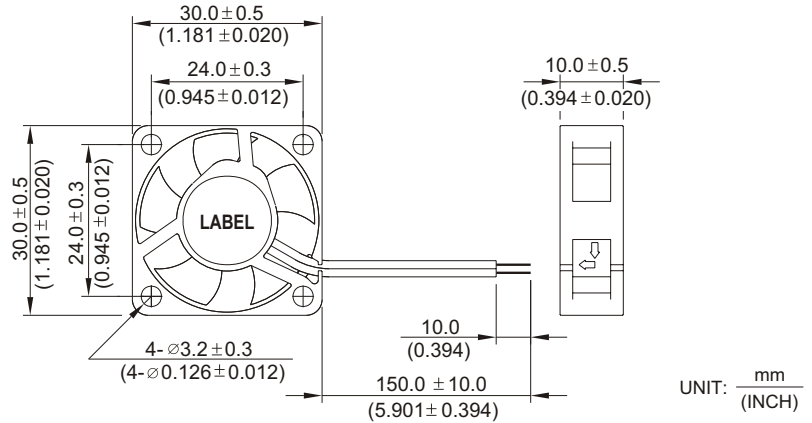


| MODEL | | Rated Voltage | Operating Voltage Range | Rated Current | Rated Input Power | Speed | Maximum Air Flow | | Maximum Air Pressure | | Noise |
|-------------|-------------|---------------|-------------------------|---------------|-------------------|--------|---------------------|------|----------------------|---------------------|-------|
| PART NO. | FUNCTION | VDC | VDC | Amp | Watt | R.P.M. | m ³ /min | CFM | mmH ₂ O | IN H ₂ O | dB-A |
| AFB02505LA | -R00 / -F00 | 5 | 4.0 to 6.0 | 0.04 | 0.20 | 5000 | 0.024 | 0.85 | 1.15 | 0.045 | 18.0 |
| AFB02505MA | -R00 / -F00 | 5 | 4.0 to 6.0 | 0.06 | 0.30 | 7000 | 0.034 | 1.20 | 2.18 | 0.085 | 20.0 |
| AFB02512MA | -R00 / -F00 | 12 | 9.5 to 13.2 | 0.04 | 0.48 | | | | | | |
| AFB02505HA | -R00 / -F00 | 5 | 4.0 to 6.0 | 0.12 | 0.60 | 10000 | 0.052 | 1.84 | 4.48 | 0.176 | 23.5 |
| AFB02512HA | -R00 / -F00 | 12 | 7.0 to 13.2 | 0.06 | 0.72 | | | | | | |
| AFB02505HHA | -R00 / -F00 | 5 | 4.0 to 6.0 | 0.16 | 0.80 | 13000 | 0.068 | 2.40 | 7.65 | 0.300 | 28.0 |
| AFB02512HHA | -R00 / -F00 | 12 | 7.0 to 13.2 | 0.08 | 0.96 | | | | | | |

* Function type is optional.
 * The max. air flow and the speed are measured in free air ; max. air pressure is measured at zero air flow.
 * Noise is measured in anechoic chamber in free air, one meter from intake side.
 * All readings are typical values at rated voltage.
 * Specifications are subject to change without notice.

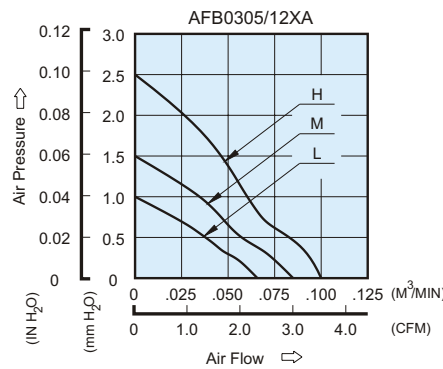
AFB 30 x 30 x 10 MM SERIES

DIMENSIONS DRAWING

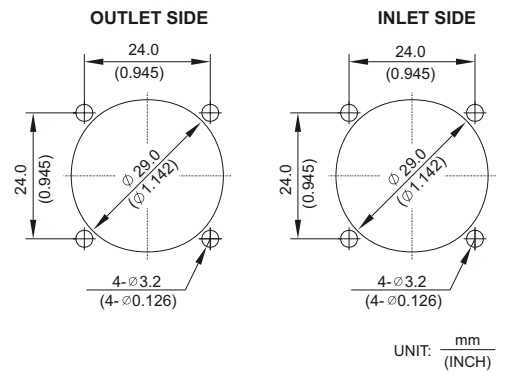


- * Bearing Type
Ball Bearings
- * Material
Impeller & Frame : Plastic (UL 94V-0)
- * Lead Wires :
UL 1061 AWG #26 OR Equivalent
Red Wire Positive (+)
Black Wire Negative (-)
- * Weight : 10.5g (0.37 oz)
- * Rib Type Only

P & Q CURVE (AT RATED VOLTAGE)



MOUNTING PANEL CUTOUT

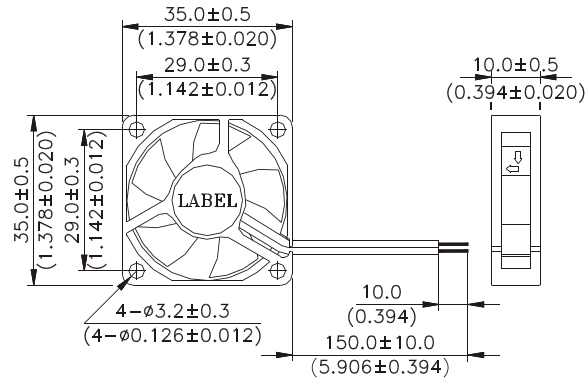


| MODEL | | Rated Voltage | Operating Voltage Range | Rated Current | Rated Input Power | Speed | Maximum Air Flow | | Maximum Air Pressure | | Noise |
|-----------|-------------|---------------|-------------------------|---------------|-------------------|--------|---------------------|------|----------------------|---------------------|-------|
| PART NO. | FUNCTION | VDC | VDC | Amp | Watt | R.P.M. | m ³ /min | CFM | mmH ₂ O | IN H ₂ O | dB-A |
| AFB0305LA | -R00 / -F00 | 5 | 4.0 to 6.0 | 0.07 | 0.35 | 6000 | 0.067 | 2.37 | 1.00 | 0.040 | 17.5 |
| AFB0312LA | -R00 / -F00 | 12 | 9.5 to 13.8 | 0.05 | 0.60 | | | | | | |
| AFB0305MA | -R00 / -F00 | 5 | 4.0 to 6.0 | 0.11 | 0.55 | 7500 | 0.085 | 3.00 | 1.50 | 0.060 | 20.0 |
| AFB0312MA | -R00 / -F00 | 12 | 9.5 to 13.8 | 0.07 | 0.84 | | | | | | |
| AFB0305HA | -R00 / -F00 | 5 | 4.0 to 6.0 | 0.16 | 0.80 | 9000 | 0.100 | 3.53 | 2.50 | 0.100 | 25.0 |
| AFB0312HA | -R00 / -F00 | 12 | 9.5 to 13.8 | 0.09 | 1.08 | | | | | | |

* Function type is optional.
 * The max. air flow and the speed are measured in free air ; max. air pressure is measured at zero air flow.
 * Noise is measured in anechoic chamber in free air, one meter from intake side.
 * All readings are typical values at rated voltage.
 * Specifications are subject to change without notice.

AFB 35 x 35 x 10 MM SERIES

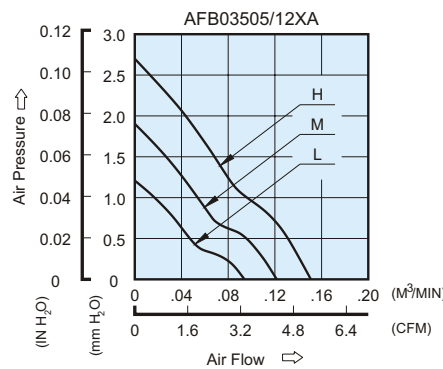
DIMENSIONS DRAWING



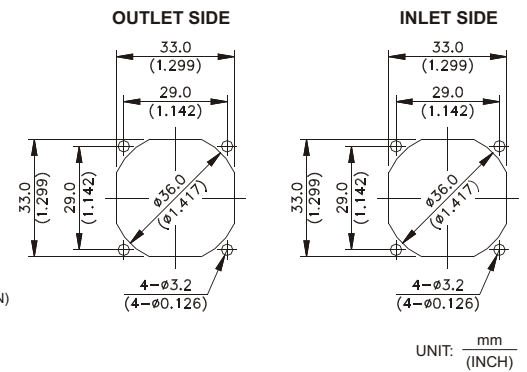
UNIT: $\frac{\text{mm}}{\text{(INCH)}}$

- * Bearing Type
Ball Bearings
- * Material
Impeller & Frame : Plastic (UL 94V-0)
- * Lead Wires :
UL 1061 AWG #26 OR Equivalent
Red Wire Positive (+)
Black Wire Negative (-)
- * Weight : 10g (0.35 oz)
- * Rib Type Only

P & Q CURVE (AT RATED VOLTAGE)



MOUNTING PANEL CUTOUT



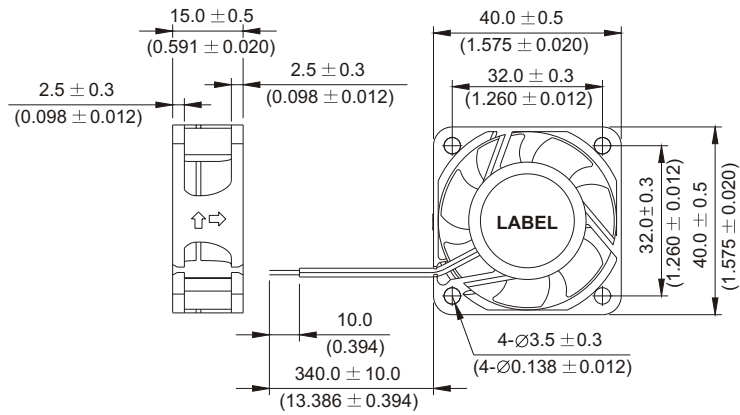
UNIT: $\frac{\text{mm}}{\text{(INCH)}}$

| MODEL | | Rated Voltage | Operating Voltage Range | Rated Current | Rated Input Power | Speed | Maximum Air Flow | | Maximum Air Pressure | | Noise |
|------------|-------------|---------------|-------------------------|---------------|-------------------|--------|---------------------|------|----------------------|---------------------|-------|
| PART NO. | FUNCTION | VDC | VDC | Amp | Watt | R.P.M. | m ³ /min | CFM | mmH ₂ O | IN H ₂ O | dB-A |
| AFB03505LA | -R00 / -F00 | 5 | 4.0 to 6.0 | 0.06 | 0.30 | 4500 | 0.095 | 3.36 | 1.21 | 0.048 | 15.0 |
| AFB03505MA | -R00 / -F00 | 5 | 4.0 to 6.0 | 0.10 | 0.50 | 5800 | 0.127 | 4.50 | 1.90 | 0.075 | 18.0 |
| AFB03512MA | -R00 / -F00 | 12 | 9.5 to 13.8 | 0.05 | 0.60 | | | | | | |
| AFB03505HA | -R00 / -F00 | 5 | 4.0 to 6.0 | 0.14 | 0.70 | 7000 | 0.156 | 5.50 | 2.70 | 0.106 | 22.0 |
| AFB03512HA | -R00 / -F00 | 12 | 9.5 to 13.8 | 0.09 | 1.08 | | | | | | |

* Function type is optional.
 * The max. air flow and the speed are measured in free air ; max. air pressure is measured at zero air flow.
 * Noise is measured in anechoic chamber in free air, one meter from intake side.
 * All readings are typical values at rated voltage.
 * Specifications are subject to change without notice.

AFB 40 x 40 x 15 MM SERIES

DIMENSIONS DRAWING

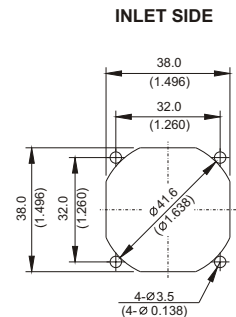
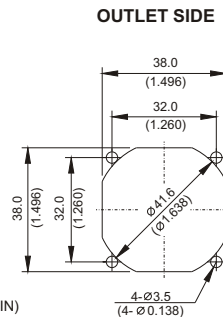
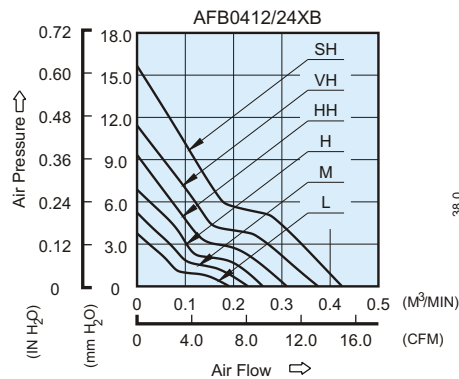


UNIT: $\frac{\text{mm}}{\text{(INCH)}}$

- * Bearing Type
Ball Bearings
- * Material
Impeller & Frame : Plastic(UL 94V-0)
- * Lead Wires :
UL 1007 AWG #24 OR Equivalent
Red Wire Positive(+)
Black Wire Negative(-)
- * Weight : 25.0g (0.88 OZ)
Rib Type Only

P & Q CURVE (AT RATED VOLTAGE)

MOUNTING PANEL CUTOUT



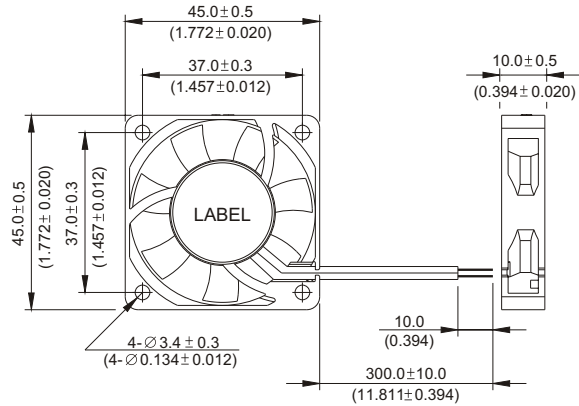
UNIT: $\frac{\text{mm}}{\text{(INCH)}}$

| MODEL | | Rated Voltage | Operating Voltage Range | Rated Current | Rated Input Power | Speed | Maximum Air Flow | | Maximum Air Pressure | | Noise |
|------------|-------------|---------------|-------------------------|---------------|-------------------|--------|---------------------|-------|----------------------|---------------------|-------|
| PART NO. | FUNCTION | VDC | VDC | Amp | Watt | R.P.M. | m ³ /min | CFM | mmH ₂ O | IN H ₂ O | dB-A |
| AFB0412LB | -R00 / -F00 | 12 | 7.0 to 13.8 | 0.06 | 0.72 | 5000 | 0.184 | 6.50 | 3.67 | 0.144 | 18.5 |
| AFB0424LB | -R00 / -F00 | 24 | 14.0 to 27.6 | 0.05 | 1.20 | | | | | | |
| AFB0412MB | -R00 / -F00 | 12 | 7.0 to 13.8 | 0.09 | 1.08 | 6000 | 0.230 | 8.12 | 5.12 | 0.202 | 24.5 |
| AFB0424MB | -R00 / -F00 | 24 | 14.0 to 27.6 | 0.06 | 1.44 | | | | | | |
| AFB0412HB | -R00 / -F00 | 12 | 7.0 to 13.8 | 0.10 | 1.20 | 7000 | 0.268 | 9.46 | 6.92 | 0.272 | 28.5 |
| AFB0424HB | -R00 / -F00 | 24 | 14.0 to 27.6 | 0.08 | 1.92 | | | | | | |
| AFB0412HHB | -R00 / -F00 | 12 | 7.0 to 13.8 | 0.13 | 1.56 | 8300 | 0.325 | 11.48 | 9.13 | 0.359 | 32.0 |
| AFB0424HHB | -R00 / -F00 | 24 | 14.0 to 27.6 | 0.09 | 2.16 | | | | | | |
| AFB0412VHB | -R00 / -F00 | 12 | 7.0 to 13.8 | 0.16 | 1.92 | 9500 | 0.368 | 13.00 | 11.66 | 0.459 | 36.5 |
| AFB0424VHB | -R00 / -F00 | 24 | 14.0 to 27.6 | 0.10 | 2.40 | | | | | | |
| AFB0412SHB | -R00 / -F00 | 12 | 7.0 to 13.8 | 0.25 | 3.00 | 11000 | 0.420 | 14.83 | 15.26 | 0.601 | 41.5 |
| AFB0424SHB | -R00 / -F00 | 24 | 14.0 to 27.6 | 0.12 | 2.88 | | | | | | |

* Function type is optional.
 * The max. air flow and the speed are measured in free air ; max. air pressure is measured at zero air flow.
 * Noise is measured in anechoic chamber in free air, one meter from intake side.
 * All readings are typical values at rated voltage.
 * Specifications are subject to change without notice.

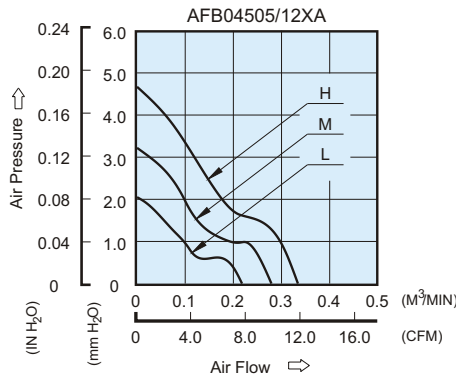
AFB 45 x 45 x 10 MM SERIES

DIMENSIONS DRAWING

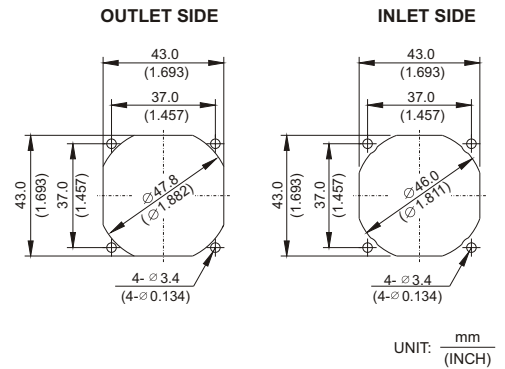


- * Bearing Type
Ball Bearings
- * Material
Impeller & Frame : Plastic(UL 94V-0)
- * Lead Wires :
UL 1007 AWG #28 OR Equivalent
Red Wire Positive(+)
Black Wire Negative(-)
- * Weight : 15.5g (0.55 OZ)
- * Rib Type Only

P & Q CURVE (AT RATED VOLTAGE)



MOUNTING PANEL CUTOUT



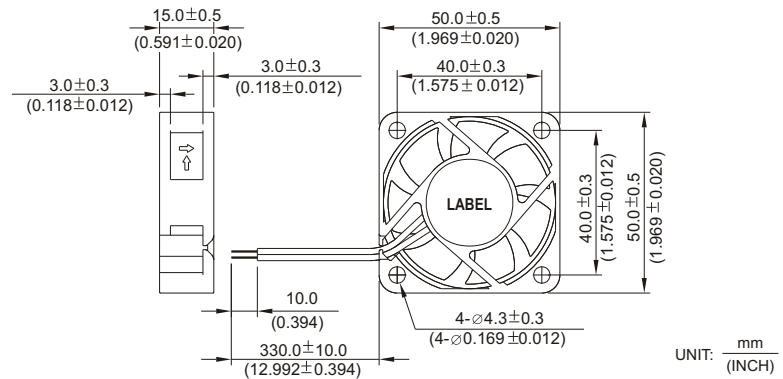
UNIT: $\frac{\text{mm}}{\text{INCH}}$

| MODEL | | Rated Voltage | Operating Voltage Range | Rated Current | Rated Input Power | Speed | Maximum Air Flow | | Maximum Air Pressure | | Noise |
|------------|-------------|---------------|-------------------------|---------------|-------------------|--------|---------------------|-------|----------------------|---------------------|-------|
| PART NO. | FUNCTION | VDC | VDC | Amp | Watt | R.P.M. | m ³ /min | CFM | mmH ₂ O | IN H ₂ O | dB-A |
| AFB04505LA | -R00 / -F00 | 5 | 4.0 to 5.5 | 0.14 | 0.70 | 4000 | 0.218 | 7.70 | 2.05 | 0.081 | 24.5 |
| AFB04512LA | -R00 / -F00 | 12 | 9.0 to 13.8 | 0.08 | 0.96 | | | | | | |
| AFB04505MA | -R00 / -F00 | 5 | 4.0 to 5.5 | 0.20 | 1.00 | 5000 | 0.279 | 9.85 | 3.22 | 0.127 | 30.0 |
| AFB04512MA | -R00 / -F00 | 12 | 7.0 to 13.8 | 0.11 | 1.32 | | | | | | |
| AFB04512HA | -R00 / -F00 | 12 | 7.0 to 13.8 | 0.17 | 2.04 | 6000 | 0.334 | 11.80 | 4.67 | 0.184 | 34.5 |

* Function type is optional.
 * The max. air flow and the speed are measured in free air ; max. air pressure is measured at zero air flow.
 * Noise is measured in anechoic chamber in free air, one meter from intake side.
 * All readings are typical values at rated voltage.
 * Specifications are subject to change without notice.

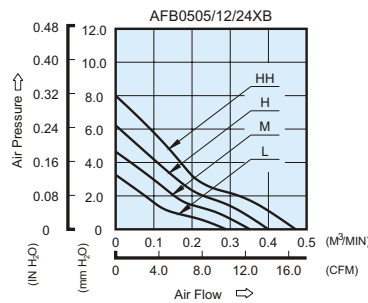
AFB 50 x 50 x 15 MM SERIES

DIMENSIONS DRAWING

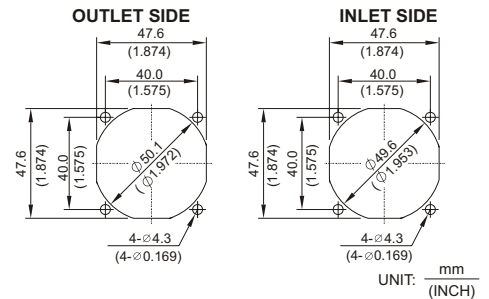


- * Bearing Type
Ball Bearings
- * Material
Impeller & Frame : Plastic (UL 94V-0)
- * Lead Wires :
UL 1007 AWG #24 OR Equivalent
Red Wire Positive (+)
Black Wire Negative (-)
- * Weight : 32g (1.13 oz)
- * Rib Type Only

P & Q CURVE (AT RATED VOLTAGE)



MOUNTING PANEL CUTOUT

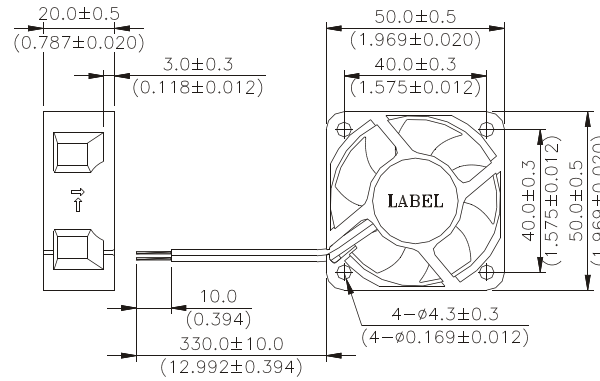


| MODEL | | Rated Voltage | Operating Voltage Range | Rated Current | Rated Input Power | Speed | Maximum Air Flow | | Maximum Air Pressure | | Noise |
|------------|-------------|---------------|-------------------------|---------------|-------------------|--------|---------------------|-------|----------------------|---------------------|-------|
| PART NO. | FUNCTION | VDC | VDC | Amp | Watt | R.P.M. | m ³ /min | CFM | mmH ₂ O | IN H ₂ O | dB-A |
| AFB0505LB | -R00 / -F00 | 5 | 4.5 to 5.5 | 0.15 | 0.75 | 4000 | 0.280 | 9.89 | 3.20 | 0.126 | 24.0 |
| AFB0512LB | -R00 / -F00 | 12 | 7.0 to 13.8 | 0.06 | 0.72 | | | | | | |
| AFB0524LB | -R00 / -F00 | 24 | 14.0 to 27.6 | 0.05 | 1.20 | | | | | | |
| AFB0505MB | -R00 / -F00 | 5 | 4.5 to 5.5 | 0.22 | 1.10 | 4800 | 0.350 | 12.36 | 4.60 | 0.181 | 28.0 |
| AFB0512MB | -R00 / -F00 | 12 | 7.0 to 13.8 | 0.08 | 0.96 | | | | | | |
| AFB0524MB | -R00 / -F00 | 24 | 14.0 to 27.6 | 0.06 | 1.44 | | | | | | |
| AFB0505HB | -R00 / -F00 | 5 | 4.5 to 5.5 | 0.32 | 1.60 | 5600 | 0.400 | 14.13 | 6.10 | 0.240 | 32.0 |
| AFB0512HB | -R00 / -F00 | 12 | 7.0 to 13.8 | 0.10 | 1.20 | | | | | | |
| AFB0524HB | -R00 / -F00 | 24 | 14.0 to 27.6 | 0.07 | 1.68 | | | | | | |
| AFB0512HHB | -R00 / -F00 | 12 | 7.0 to 13.8 | 0.13 | 1.56 | 6400 | 0.460 | 16.24 | 8.00 | 0.315 | 36.0 |
| AFB0524HHB | -R00 / -F00 | 24 | 14.0 to 27.6 | 0.08 | 1.92 | | | | | | |

* Function type is optional.
 * The max. air flow and the speed are measured in free air ; max. air pressure is measured at zero air flow.
 * Noise is measured in anechoic chamber in free air, one meter from intake side.
 * All readings are typical values at rated voltage.
 * Specifications are subject to change without notice.
 * Both of the ball bearing and the 1 ball + 1 sleeve type are available.

AFB 50 x 50 x 20 MM SERIES

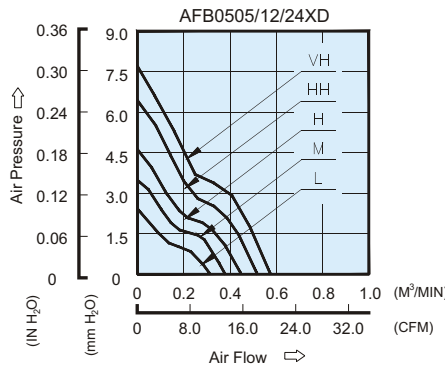
DIMENSIONS DRAWING



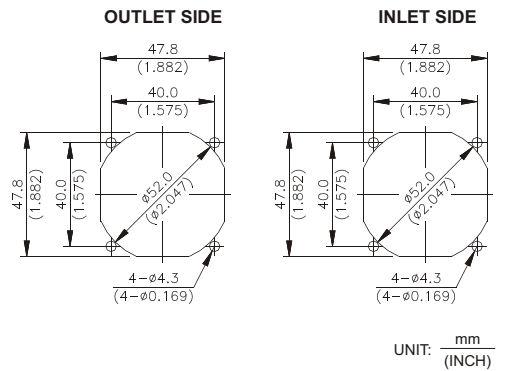
UNIT: $\frac{\text{mm}}{\text{(INCH)}}$

- * Bearing Type
Two Ball Bearings
- * Material
Impeller & Frame : Plastic (UL 94V-0)
- * Lead Wires :
UL 1007 AWG #24 OR Equivalent
Red Wire Positive (+)
Black Wire Negative (-)
- * Weight : 38g (1.34 oz)
- * Rib Type Only

P & Q CURVE (AT RATED VOLTAGE)



MOUNTING PANEL CUTOUT



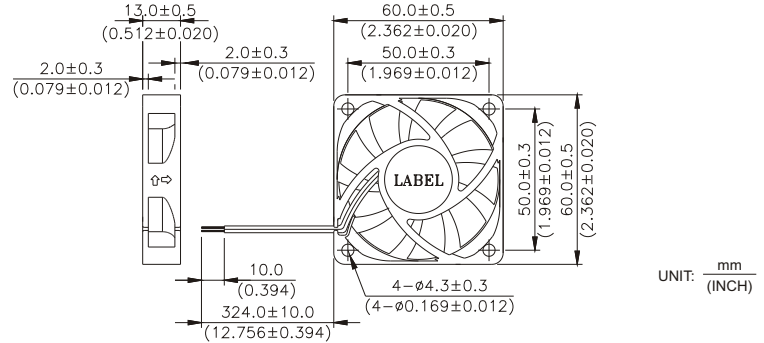
UNIT: $\frac{\text{mm}}{\text{(INCH)}}$

| MODEL | | Rated Voltage | Operating Voltage Range | Rated Current | Rated Input Power | Speed | Maximum Air Flow | | Maximum Air Pressure | | Noise |
|------------|-------------|---------------|-------------------------|---------------|-------------------|--------|---------------------|-------|----------------------|---------------------|-------|
| PART NO. | FUNCTION | VDC | VDC | Amp | Watt | R.P.M. | m ³ /min | CFM | mmH ₂ O | IN H ₂ O | dB-A |
| AFB0505LD | -R00 / -F00 | 5 | 4.5 to 5.5 | 0.14 | 0.70 | 4000 | 0.311 | 10.98 | 2.42 | 0.095 | 25.0 |
| AFB0512LD | -R00 / -F00 | 12 | 7.0 to 13.8 | 0.06 | 0.72 | | | | | | |
| AFB0524LD | -R00 / -F00 | 24 | 14.0 to 27.6 | 0.05 | 1.20 | | | | | | |
| AFB0505MD | -R00 / -F00 | 5 | 4.5 to 5.5 | 0.20 | 1.00 | 4800 | 0.379 | 13.39 | 3.48 | 0.137 | 28.0 |
| AFB0512MD | -R00 / -F00 | 12 | 7.0 to 13.8 | 0.07 | 0.84 | | | | | | |
| AFB0524MD | -R00 / -F00 | 24 | 14.0 to 27.6 | 0.06 | 1.44 | | | | | | |
| AFB0505HD | -R00 / -F00 | 5 | 4.5 to 5.5 | 0.33 | 1.65 | 5600 | 0.447 | 15.79 | 4.62 | 0.182 | 33.0 |
| AFB0512HD | -R00 / -F00 | 12 | 7.0 to 13.8 | 0.10 | 1.20 | | | | | | |
| AFB0524HD | -R00 / -F00 | 24 | 14.0 to 27.6 | 0.07 | 1.68 | | | | | | |
| AFB0512HHD | -R00 / -F00 | 12 | 7.0 to 13.8 | 0.14 | 1.68 | 6400 | 0.518 | 18.30 | 6.44 | 0.254 | 37.0 |
| AFB0524HHD | -R00 / -F00 | 24 | 14.0 to 27.6 | 0.09 | 2.16 | | | | | | |
| AFB0512VHD | -R00 / -F00 | 12 | 7.0 to 13.8 | 0.16 | 1.92 | 7000 | 0.575 | 20.30 | 7.70 | 0.303 | 40.5 |
| AFB0524VHD | -R00 / -F00 | 24 | 14.0 to 27.6 | 0.10 | 2.40 | | | | | | |

* Function type is optional.
 * The max. air flow and the speed are measured in free air ; max. air pressure is measured at zero air flow.
 * Noise is measured in anechoic chamber in free air, one meter from intake side.
 * All readings are typical values at rated voltage.
 * Specifications are subject to change without notice.

AFB 60 x 60 x 13 MM SERIES

DIMENSIONS DRAWING

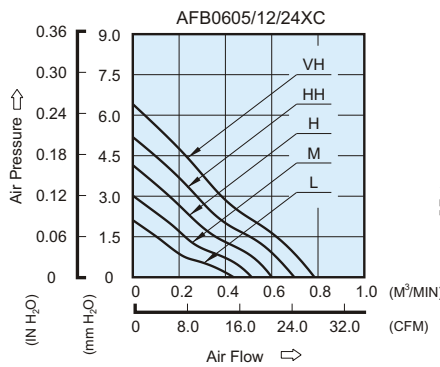


UNIT: $\frac{\text{mm}}{\text{(INCH)}}$

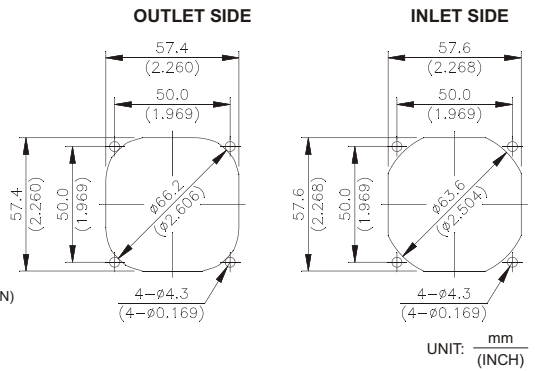


- * Bearing Type : Ball Bearings
- * Material : Impeller & Frame : Plastic(UL 94V-0)
- * Lead Wires : UL 2468 AWG #28 OR Equivalent
Red Wire Positive(+)
Black Wire Negative(-)
- * Weight : 33.5g (1.18 OZ)
- * Rib Type Only

P & Q CURVE (AT RATED VOLTAGE)



MOUNTING PANEL CUTOUT



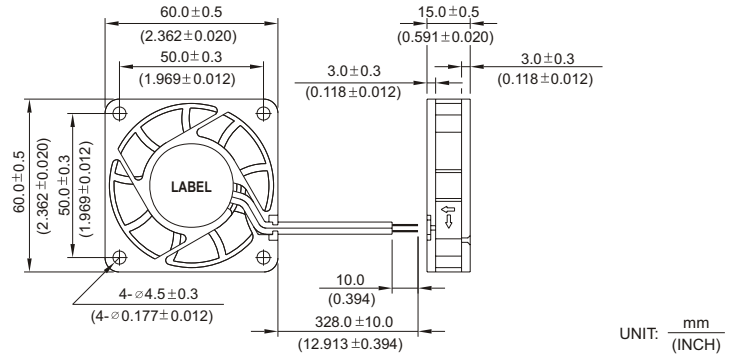
UNIT: $\frac{\text{mm}}{\text{(INCH)}}$

| MODEL | | Rated Voltage | Operating Voltage Range | Rated Current | Rated Input Power | Speed | Maximum Air Flow | | Maximum Air Pressure | | Noise |
|------------|-------------|---------------|-------------------------|---------------|-------------------|--------|---------------------|-------|----------------------|---------------------|-------|
| PART NO. | FUNCTION | VDC | VDC | Amp | Watt | R.P.M. | m ³ /min | CFM | mmH ₂ O | IN H ₂ O | dB-A |
| AFB0605LC | -R00 / -F00 | 5 | 4.5 to 5.5 | 0.12 | 0.60 | 3000 | 0.436 | 15.40 | 2.11 | 0.083 | 24.0 |
| AFB0612LC | -R00 / -F00 | 12 | 7.0 to 13.8 | 0.08 | 0.96 | | | | | | |
| AFB0624LC | -R00 / -F00 | 24 | 14.0 to 27.6 | 0.05 | 1.20 | | | | | | |
| AFB0605MC | -R00 / -F00 | 5 | 4.5 to 5.5 | 0.18 | 0.90 | 3600 | 0.514 | 18.15 | 3.02 | 0.119 | 28.0 |
| AFB0612MC | -R00 / -F00 | 12 | 7.0 to 13.8 | 0.11 | 1.32 | | | | | | |
| AFB0624MC | -R00 / -F00 | 24 | 14.0 to 27.6 | 0.06 | 1.44 | | | | | | |
| AFB0605HC | -R00 / -F00 | 5 | 4.5 to 5.5 | 0.29 | 1.45 | 4200 | 0.601 | 21.22 | 4.15 | 0.163 | 31.5 |
| AFB0612HC | -R00 / -F00 | 12 | 7.0 to 13.8 | 0.14 | 1.68 | | | | | | |
| AFB0624HC | -R00 / -F00 | 24 | 14.0 to 27.6 | 0.07 | 1.68 | | | | | | |
| AFB0612HHC | -R00 / -F00 | 12 | 7.0 to 13.8 | 0.20 | 2.40 | 4800 | 0.698 | 24.65 | 5.19 | 0.204 | 35.0 |
| AFB0624HHC | -R00 / -F00 | 24 | 14.0 to 27.6 | 0.09 | 2.16 | | | | | | |
| AFB0612VHC | -R00 / -F00 | 12 | 7.0 to 13.8 | 0.24 | 2.88 | 5400 | 0.785 | 27.72 | 6.41 | 0.252 | 38.0 |
| AFB0624VHC | -R00 / -F00 | 24 | 14.0 to 27.6 | 0.12 | 2.88 | | | | | | |

* Function type is optional.
 * The max. air flow and the speed are measured in free air ; max. air pressure is measured at zero air flow.
 * Noise is measured in anechoic chamber in free air, one meter from intake side.
 * All readings are typical values at rated voltage.
 * Specifications are subject to change without notice.
 * Both of the ball bearing and the 1 ball + 1 Sleeve type are available.

AFB 60 x 60 x 15 MM SERIES

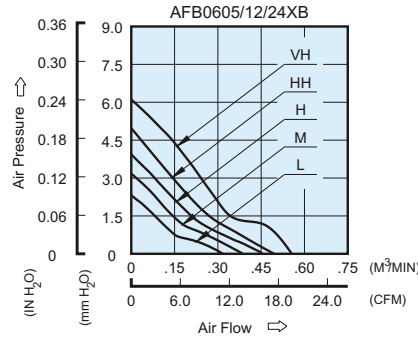
DIMENSIONS DRAWING



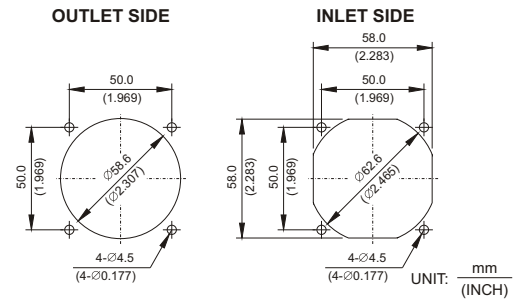
UNIT: $\frac{\text{mm}}{\text{(INCH)}}$

- * Bearing Type
Ball Bearings
- * Material
Impeller & Frame : Plastic (UL 94V-0)
- * Lead Wires :
UL 1007 AWG #24 OR Equivalent
Red Wire Positive (+)
Black Wire Negative (-)
- * Weight : 44g (1.55 oz)
- * Rib Type Only

P & Q CURVE (AT RATED VOLTAGE)



MOUNTING PANEL CUTOUT



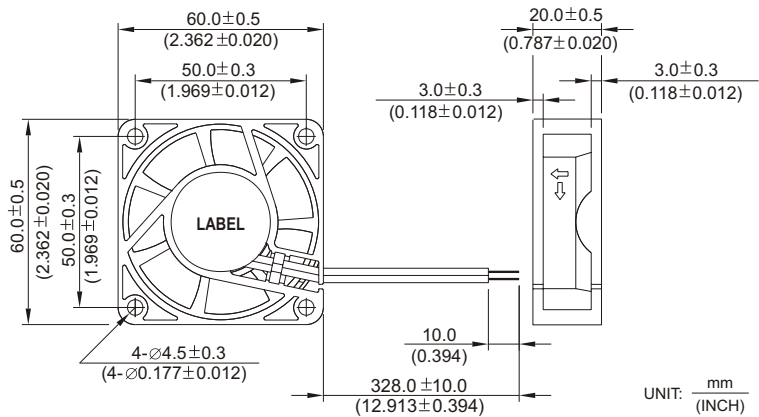
UNIT: $\frac{\text{mm}}{\text{(INCH)}}$

| MODEL | | Rated Voltage | Operating Voltage Range | Rated Current | Rated Input Power | Speed | Maximum Air Flow | | Maximum Air Pressure | | Noise |
|------------|-------------|---------------|-------------------------|---------------|-------------------|--------|---------------------|-------|----------------------|---------------------|-------|
| PART NO. | FUNCTION | VDC | VDC | Amp | Watt | R.P.M. | m ³ /min | CFM | mmH ₂ O | IN H ₂ O | dB-A |
| AFB0605LB | / -F00 | 5 | 4.0 to 6.0 | 0.13 | 0.65 | 3000 | 0.327 | 11.55 | 2.21 | 0.087 | 24.0 |
| AFB0612LB | -R00 / -F00 | 12 | 7.0 to 13.8 | 0.07 | 0.84 | | | | | | |
| AFB0624LB | -R00 / -F00 | 24 | 14.0 to 27.6 | 0.04 | 0.96 | | | | | | |
| AFB0605MB | / -F00 | 5 | 4.0 to 6.0 | 0.20 | 1.00 | 3500 | 0.381 | 13.45 | 3.01 | 0.119 | 29.0 |
| AFB0612MB | -R00 / -F00 | 12 | 7.0 to 13.8 | 0.08 | 0.96 | | | | | | |
| AFB0624MB | -R00 / -F00 | 24 | 14.0 to 27.6 | 0.06 | 1.44 | | | | | | |
| AFB0605HB | / -F00 | 5 | 4.0 to 6.0 | 0.30 | 1.50 | 4000 | 0.435 | 15.36 | 3.93 | 0.155 | 32.0 |
| AFB0612HB | -R00 / -F00 | 12 | 7.0 to 13.8 | 0.10 | 1.20 | | | | | | |
| AFB0624HB | -R00 / -F00 | 24 | 14.0 to 27.6 | 0.08 | 1.92 | | | | | | |
| AFB0605HMB | / -F00 | 5 | 4.0 to 6.0 | 0.40 | 2.00 | 4500 | 0.490 | 17.30 | 4.97 | 0.195 | 35.0 |
| AFB0612HMB | -R00 / -F00 | 12 | 7.0 to 13.8 | 0.12 | 1.44 | | | | | | |
| AFB0624HMB | -R00 / -F00 | 24 | 14.0 to 27.6 | 0.10 | 2.40 | | | | | | |
| AFB0612VHB | -R00 / -F00 | 12 | 7.0 to 13.8 | 0.16 | 1.92 | 5000 | 0.550 | 19.42 | 6.10 | 0.240 | 37.0 |
| AFB0624VHB | -R00 / -F00 | 24 | 14.0 to 27.6 | 0.11 | 2.64 | | | | | | |

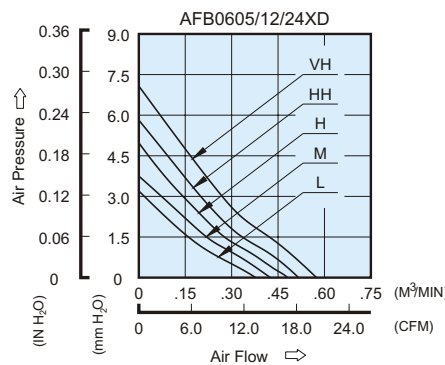
* Function type is optional.
 * The max. air flow and the speed are measured in free air ; max. air pressure is measured at zero air flow.
 * Noise is measured in anechoic chamber in free air, one meter from intake side.
 * All readings are typical values at rated voltage.
 * Specifications are subject to change without notice.
 * Both of the ball bearing and the 1 ball + 1 Sleeve type are available.

AFB 60 x 60 x 20 MM SERIES

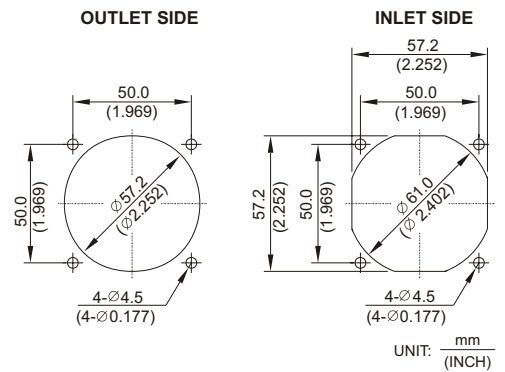
DIMENSIONS DRAWING



P & Q CURVE (AT RATED VOLTAGE)



MOUNTING PANEL CUTOUT



- * Bearing Type: Ball Bearings
- * Material: Impeller & Frame : Plastic (UL 94V-0)
- * Lead Wires : UL 1007 AWG #24 OR Equivalent
Red Wire Positive (+)
Black Wire Negative (-)
- * Weight : 62g (2.19 oz)
- * Rib Type Only

| MODEL | | Rated Voltage | Operating Voltage Range | Rated Current | Rated Input Power | Speed | Maximum Air Flow | | Maximum Air Pressure | | Noise |
|------------|-------------|---------------|-------------------------|---------------|-------------------|--------|---------------------|-------|----------------------|---------------------|-------|
| PART NO. | FUNCTION | VDC | VDC | Amp | Watt | R.P.M. | m ³ /min | CFM | mmH ₂ O | IN H ₂ O | dB-A |
| AFB0605LD | / -F00 | 5 | 4.5 to 5.5 | 0.14 | 0.70 | 3200 | 0.370 | 13.06 | 3.03 | 0.119 | 24.0 |
| AFB0612LD | -R00 / -F00 | 12 | 7.0 to 13.8 | 0.07 | 0.84 | | | | | | |
| AFB0624LD | -R00 / -F00 | 24 | 14.0 to 27.6 | 0.03 | 0.72 | | | | | | |
| AFB0605MD | / -F00 | 5 | 4.5 to 5.5 | 0.19 | 0.95 | 3600 | 0.420 | 14.83 | 3.83 | 0.151 | 26.0 |
| AFB0612MD | -R00 / -F00 | 12 | 7.0 to 13.8 | 0.09 | 1.08 | | | | | | |
| AFB0624MD | -R00 / -F00 | 24 | 14.0 to 27.6 | 0.04 | 0.96 | | | | | | |
| AFB0605HD | / -F00 | 5 | 4.5 to 5.5 | 0.24 | 1.20 | 4000 | 0.470 | 16.60 | 4.80 | 0.189 | 28.0 |
| AFB0612HD | -R00 / -F00 | 12 | 7.0 to 13.8 | 0.11 | 1.32 | | | | | | |
| AFB0624HD | -R00 / -F00 | 24 | 14.0 to 27.6 | 0.05 | 1.20 | | | | | | |
| AFB0605HHD | / -F00 | 5 | 4.5 to 5.5 | 0.33 | 1.65 | 4400 | 0.520 | 18.36 | 5.81 | 0.229 | 31.0 |
| AFB0612HHD | -R00 / -F00 | 12 | 7.0 to 13.8 | 0.15 | 1.80 | | | | | | |
| AFB0624HHD | -R00 / -F00 | 24 | 14.0 to 27.6 | 0.07 | 1.68 | | | | | | |
| AFB0612VHD | -R00 / -F00 | 12 | 7.0 to 13.8 | 0.18 | 2.16 | 4800 | 0.560 | 19.78 | 7.00 | 0.275 | 33.0 |
| AFB0624VHD | -R00 / -F00 | 24 | 14.0 to 27.6 | 0.09 | 2.16 | | | | | | |

* Function type is optional.
 * The max. air flow and the speed are measured in free air ; max. air pressure is measured at zero air flow.
 * Noise is measured in anechoic chamber in free air, one meter from intake side.
 * All readings are typical values at rated voltage.
 * Specifications are subject to change without notice.

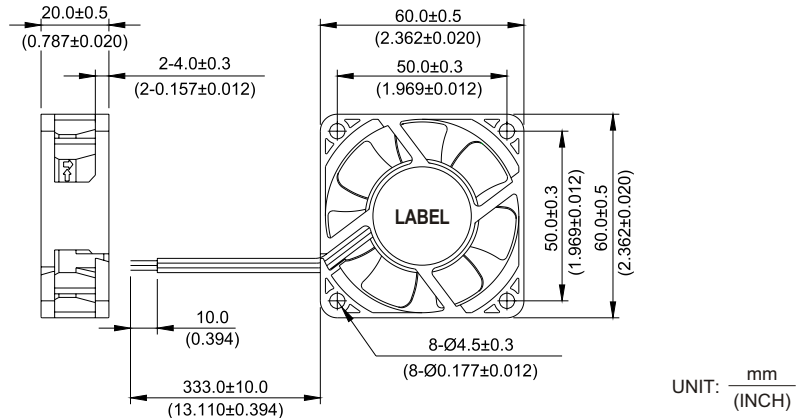
New



- * Bearing Type
Ball Bearings
- * Material
- * Impeller & Frame : Plastic (UL94V-0)
- * Lead Wires :
UL 1007 AWG #24 OR Equivalent
Red Wire Positive (+)
Black Wire Negative (-)
- * Weight : 56g (1.98 oz)

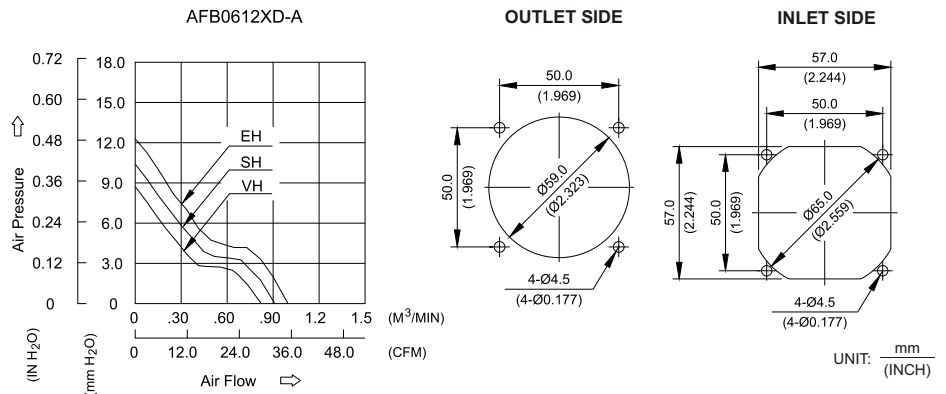
AFB 60 x 60 x 20 MM SERIES

DIMENSIONS DRAWING



P & Q CURVE (AT RATED VOLTAGE)

MOUNTING PANEL CUTOUT

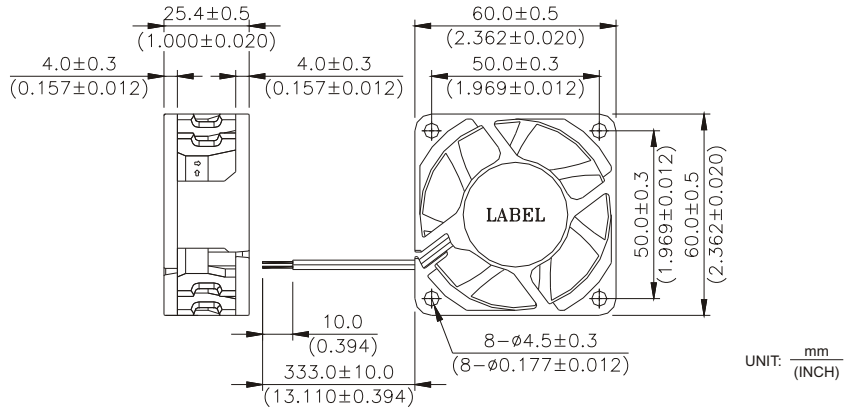


| MODEL | | | Rated Voltage | Operating Voltage Range | Rated Current | Rated Input Power | Speed | Maximum Air Flow | | Maximum Air Pressure | | Noise |
|------------|------|-----------|---------------|-------------------------|---------------|-------------------|--------|---------------------|-------|----------------------|---------------------|-------|
| PART NO. | REV. | FUNCTION | VDC | VDC | Amp | Watt | R.P.M. | m ³ /min | CFM | mmH ₂ O | IN H ₂ O | dB-A |
| AFB0612VHD | -A | -R00/-F00 | 12 | 7.0 to 13.8 | 0.19 | 2.28 | 5400 | 0.823 | 29.06 | 8.72 | 0.343 | 41.0 |
| AFB0612SHD | -A | -R00/-F00 | 12 | 7.0 to 13.8 | 0.28 | 3.36 | 6000 | 0.911 | 32.17 | 10.41 | 0.410 | 43.0 |
| AFB0612EHD | -A | -R00/-F00 | 12 | 7.0 to 13.8 | 0.31 | 3.72 | 6600 | 0.997 | 35.21 | 12.29 | 0.484 | 45.0 |

* Function type is optional.
 * The max. air flow and the speed are measured in free air ; max. air pressure is measured at zero air flow.
 * Noise is measured in anechoic chamber in free air, one meter from intake side.
 * All readings are typical values at rated voltage.
 * Specifications are subject to change without notice.

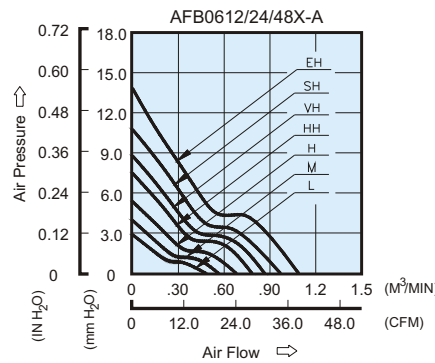
AFB 60 x 60 x 25.4 MM SERIES

DIMENSIONS DRAWING

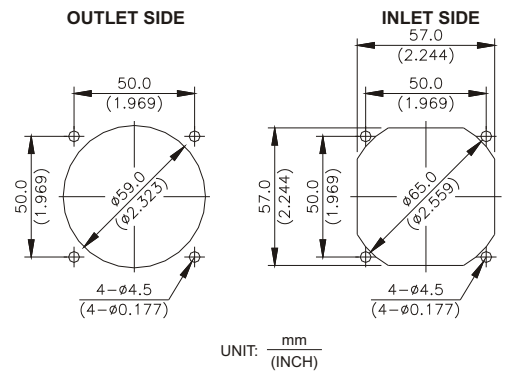


- * Bearing Type
Ball Bearings
- * Material
Impeller & Frame : Plastic (UL 94V-0)
- * Lead Wires :
UL 1007 AWG #24 OR Equivalent
Red Wire Positive (+)
Black Wire Negative (-)
- * Weight : 80g (2.82 oz)

P & Q CURVE (AT RATED VOLTAGE)



MOUNTING PANEL CUTOUT



| MODEL | | | Rated Voltage | Operating Voltage Range | Rated Current | Rated Input Power | Speed | Maximum Air Flow | | Maximum Air Pressure | | Noise |
|-----------|------|----------|---------------|-------------------------|---------------|-------------------|--------|---------------------|-------|----------------------|---------------------|-------|
| PART NO. | REV. | FUNCTION | VDC | VDC | Amp | Watt | R.P.M. | m ³ /min | CFM | mmH ₂ O | IN H ₂ O | dB-A |
| AFB0612L | -A | R00/F00 | 12 | 4.0 to 13.8 | 0.08 | 0.96 | 3100 | 0.476 | 16.81 | 2.86 | 0.113 | 26.5 |
| AFB0624L | -A | R00/F00 | 24 | 14.0 to 27.6 | 0.06 | 1.44 | | | | | | |
| AFB0612M | -A | R00/F00 | 12 | 4.0 to 13.8 | 0.13 | 1.56 | 3600 | 0.560 | 19.78 | 3.93 | 0.155 | 31.0 |
| AFB0624M | -A | R00/F00 | 24 | 14.0 to 27.6 | 0.07 | 1.68 | | | | | | |
| AFB0612H | -A | R00/F00 | 12 | 4.0 to 13.8 | 0.14 | 1.68 | 4250 | 0.662 | 23.38 | 5.35 | 0.211 | 34.0 |
| AFB0624H | -A | R00/F00 | 24 | 14.0 to 27.6 | 0.09 | 2.16 | | | | | | |
| AFB0612HH | -A | R00/F00 | 12 | 4.0 to 13.8 | 0.17 | 2.04 | 5000 | 0.780 | 27.55 | 7.47 | 0.294 | 40.0 |
| AFB0624HH | -A | R00/F00 | 24 | 14.0 to 27.6 | 0.11 | 2.64 | | | | | | |
| AFB0648HH | -A | R00/F00 | 48 | 28.0 to 56.0 | 0.08 | 3.84 | | | | | | |
| AFB0612VH | -A | R00/F00 | 12 | 4.0 to 13.8 | 0.23 | 2.76 | 5500 | 0.863 | 30.48 | 8.76 | 0.345 | 42.5 |
| AFB0624VH | -A | R00/F00 | 24 | 14.0 to 27.6 | 0.14 | 3.36 | | | | | | |
| AFB0648VH | -A | R00/F00 | 48 | 28.0 to 56.0 | 0.09 | 4.32 | 6000 | 0.967 | 34.15 | 10.73 | 0.422 | 44.5 |
| AFB0612SH | -A | R00/F00 | 12 | 4.0 to 13.8 | 0.27 | 3.24 | | | | | | |
| AFB0624SH | -A | R00/F00 | 24 | 14.0 to 27.6 | 0.17 | 4.08 | | | | | | |
| AFB0648SH | -A | R00/F00 | 48 | 28.0 to 56.0 | 0.11 | 5.28 | 6800 | 1.086 | 38.35 | 13.81 | 0.544 | 46.5 |
| AFB0612EH | -A | R00/F00 | 12 | 4.0 to 13.8 | 0.38 | 4.56 | | | | | | |
| AFB0624EH | -A | R00/F00 | 24 | 14.0 to 27.6 | 0.24 | 5.76 | | | | | | |
| AFB0648EH | -A | R00/F00 | 48 | 28.0 to 56.0 | 0.14 | 6.72 | | | | | | |

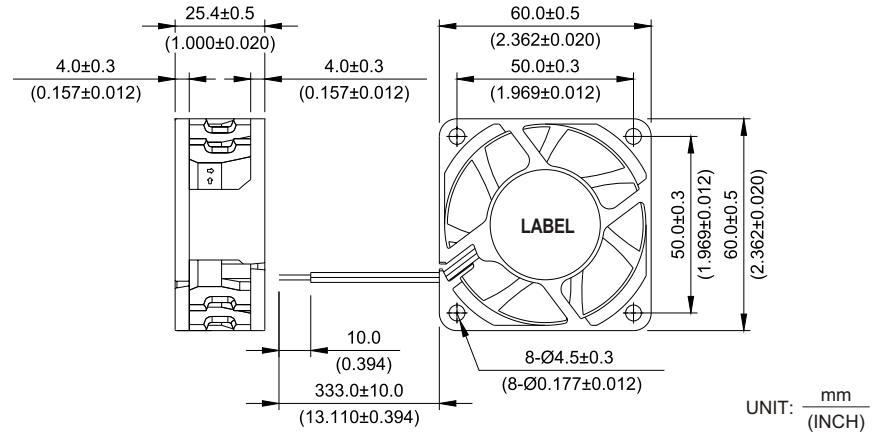
* Function type is optional.
 * The max. air flow and the speed are measured in free air ; max. air pressure is measured at zero air flow.
 * Noise is measured in anechoic chamber in free air, one meter from intake side.
 * All readings are typical values at rated voltage.
 * Specifications are subject to change without notice.

New



AFB 60 x 60 x 25.4 MM SERIES

DIMENSIONS DRAWING

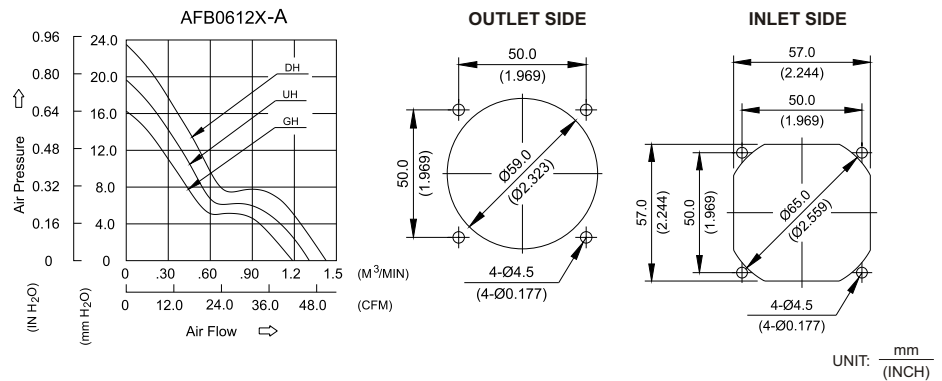


UNIT: $\frac{\text{mm}}{\text{(INCH)}}$

- * Bearing Type
Ball Bearings
- * Material
Impeller & Frame: Plastic (UL94V-0)
- * Lead Wires :
UL 1061AWG #24 OR Equivalent
Red Wire Positive (+)
Black Wire Negative (-)
- * Weight : 77g (2.72 oz)

P & Q CURVE (AT RATED VOLTAGE)

MOUNTING PANEL CUTOUT



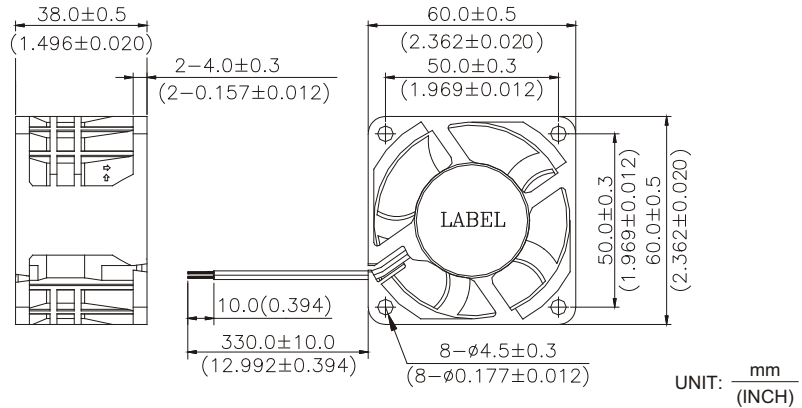
UNIT: $\frac{\text{mm}}{\text{(INCH)}}$

| MODEL | | | Rated Voltage | Operating Voltage Range | Rated Current | Rated Input Power | Speed | Maximum Air Flow | | Maximum Air Pressure | | Noise |
|-----------|------|-------------|---------------|-------------------------|---------------|-------------------|--------|---------------------|-------|----------------------|---------------------|-------|
| PART NO. | REV. | FUNCTION | VDC | VDC | Amp | Watt | R.P.M. | m ³ /min | CFM | mmH ₂ O | IN H ₂ O | dB-A |
| AFB0612GH | -A | -R00 / -F00 | 12 | 7.0 to 13.2 | 0.55 | 6.60 | 7500 | 1.188 | 41.95 | 16.27 | 0.640 | 50.5 |
| AFB0612UH | -A | -R00 / -F00 | 12 | 7.0 to 13.2 | 0.69 | 8.28 | 8200 | 1.307 | 46.16 | 19.66 | 0.774 | 52.5 |
| AFB0612DH | -A | -R00 / -F00 | 12 | 7.0 to 13.2 | 0.84 | 10.08 | 9000 | 1.427 | 50.40 | 23.52 | 0.926 | 55.0 |

* Function type is optional.
 * The max. air flow and the speed are measured in free air ; max. air pressure is measured at zero air flow.
 * Noise is measured in anechoic chamber in free air, one meter from intake side.
 * All readings are typical values at rated voltage.
 * Specifications are subject to change without notice.

AFB 60 x 60 x 38 MM SERIES

DIMENSIONS DRAWING



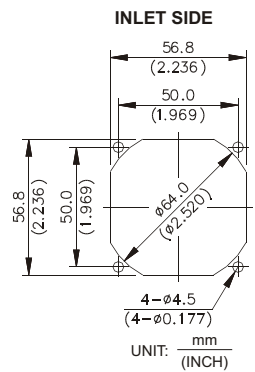
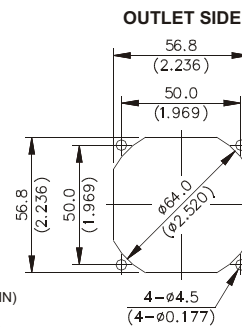
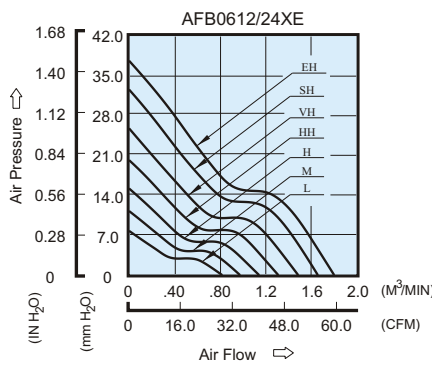
UNIT: $\frac{\text{mm}}{\text{(INCH)}}$



- * Bearing Type
Ball Bearings
- * Material
Impeller & Frame : Plastic (UL 94V-0)
- * Lead Wires :
UL 1007 AWG #24 OR Equivalent
Red Wire Positive (+)
Black Wire Negative (-)
- * Weight : 117g (4.13 oz)

P & Q CURVE (AT RATED VOLTAGE)

MOUNTING PANEL CUTOUT



UNIT: $\frac{\text{mm}}{\text{(INCH)}}$

| MODEL | | Rated Voltage | Operating Voltage Range | Rated Current | Rated Input Power | Speed | Maximum Air Flow | | Maximum Air Pressure | | Noise |
|------------|-------------|---------------|-------------------------|---------------|-------------------|--------|----------------------|-------|----------------------|---------------------|-------|
| PART NO. | FUNCTION | VDC | VDC | Amp | Watt | R.P.M. | m ³ / min | CFM | mmH ₂ O | IN H ₂ O | dB-A |
| AFB0612LE | -R00 / -F00 | 12 | 7.0 to 13.8 | 0.13 | 2.76 | 5000 | 0.816 | 28.81 | 7.76 | 0.306 | 37.0 |
| AFB0624LE | -R00 / -F00 | 24 | 14.0 to 27.6 | 0.23 | 3.12 | | | | | | |
| AFB0612ME | -R00 / -F00 | 12 | 7.0 to 13.8 | 0.33 | 3.96 | 6000 | 0.972 | 34.34 | 11.23 | 0.442 | 42.0 |
| AFB0624ME | -R00 / -F00 | 24 | 14.0 to 27.6 | 0.18 | 4.32 | | | | | | |
| AFB0612HE | -R00 / -F00 | 12 | 7.0 to 13.8 | 0.45 | 5.40 | 7000 | 1.139 | 40.22 | 15.18 | 0.598 | 46.0 |
| AFB0624HE | -R00 / -F00 | 24 | 14.0 to 27.6 | 0.25 | 6.00 | | | | | | |
| AFB0612HHE | -R00 / -F00 | 12 | 7.0 to 13.8 | 0.68 | 8.16 | 8000 | 1.307 | 46.17 | 20.14 | 0.793 | 50.0 |
| AFB0624HHE | -R00 / -F00 | 24 | 14.0 to 27.6 | 0.38 | 9.12 | | | | | | |
| AFB0612VHE | -R00 / -F00 | 12 | 7.0 to 13.8 | 0.85 | 10.2 | 9000 | 1.481 | 52.30 | 25.71 | 1.012 | 53.5 |
| AFB0612SHE | -R00 / -F00 | 12 | 7.0 to 13.8 | 1.10 | 13.2 | 10000 | 1.651 | 58.32 | 32.50 | 1.280 | 56.5 |
| AFB0612EHE | -R00 / -F00 | 12 | 7.0 to 13.2 | 1.40 | 16.8 | 11000 | 1.796 | 63.44 | 37.55 | 1.478 | 60.0 |

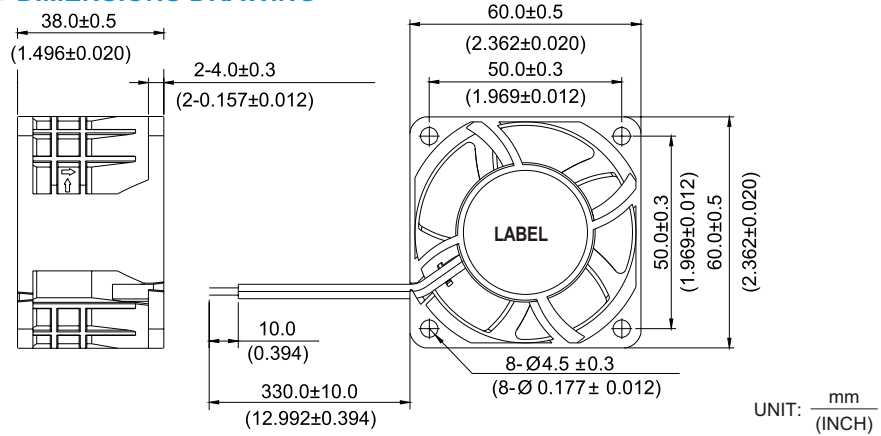
* Function type is optional.
 * The max. air flow and the speed are measured in free air ; max. air pressure is measured at zero air flow.
 * Noise is measured in anechoic chamber in free air, one meter from intake side.
 * All readings are typical values at rated voltage.
 * Specifications are subject to change without notice.

New



AFB 60 x 60 x 38 MM SERIES

DIMENSIONS DRAWING

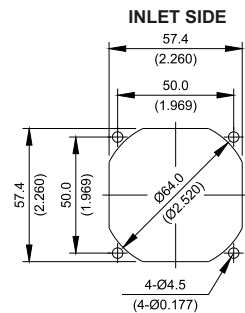
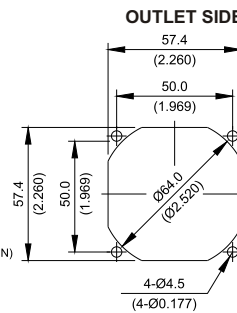
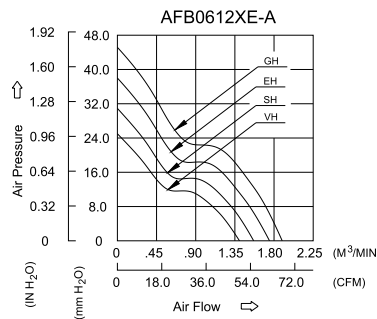


UNIT: $\frac{\text{mm}}{(\text{INCH})}$

- * Bearing Type
Ball Bearings
- * Material
Impeller & Frame: Plastic (UL94V-0)
- * Lead Wires :
UL 1007AWG #24 OR Equivalent
Red Wire Positive (+)
Black Wire Negative (-)
- * Weight : 117g (4.12 oz)

P & Q CURVE (AT RATED VOLTAGE)

MOUNTING PANEL CUTOUT



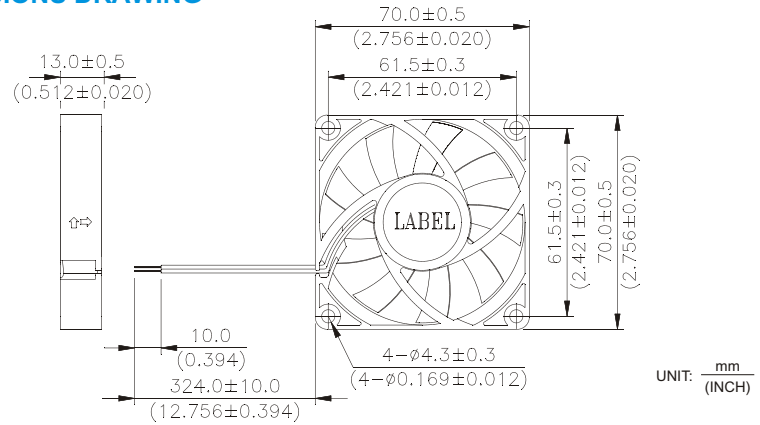
UNIT: $\frac{\text{mm}}{(\text{INCH})}$

| MODEL | | | Rated Voltage | Operating Voltage Range | Rated Current | Rated Input Power | Speed | Maximum Air Flow | | Maximum Air Pressure | | Noise |
|------------|------|-------------|---------------|-------------------------|---------------|-------------------|--------|---------------------|-------|----------------------|---------------------|-------|
| PART NO. | REV. | FUNCTION | VDC | VDC | Amp | Watt | R.P.M. | m ³ /min | CFM | mmH ₂ O | IN H ₂ O | dB-A |
| AFB0612VHE | -A | -R00 / -F00 | 12 | 7.0 to 13.8 | 0.68 | 8.16 | 9000 | 1.403 | 49.54 | 25.00 | 0.984 | 54.0 |
| AFB0612SHE | -A | -R00 / -F00 | 12 | 7.0 to 13.8 | 0.88 | 10.56 | 10000 | 1.566 | 55.29 | 30.92 | 1.217 | 57.0 |
| AFB0612EHE | -A | -R00 / -F00 | 12 | 7.0 To 13.8 | 1.12 | 13.44 | 11000 | 1.748 | 61.72 | 38.00 | 1.496 | 60.0 |
| AFB0612GHE | -A | -R00 / -F00 | 12 | 7.0 To 13.2 | 1.50 | 18.00 | 12000 | 1.890 | 66.75 | 44.17 | 1.739 | 61.5 |

* Function type is optional.
 * The max. air flow and the speed are measured in free air ; max. air pressure is measured at zero air flow.
 * Noise is measured in anechoic chamber in free air, one meter from intake side.
 * All readings are typical values at rated voltage.
 * Specifications are subject to change without notice

AFB 70 x 70 x 13 MM SERIES

DIMENSIONS DRAWING

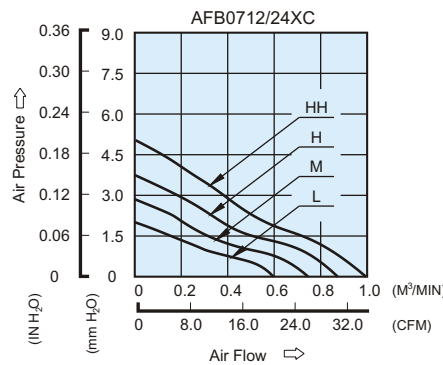


UNIT: mm (INCH)

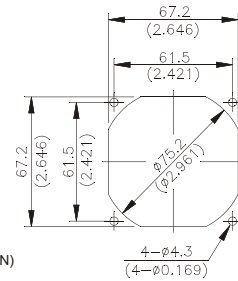
- * Bearing Type: Ball Bearings
- * Material : Impeller & Frame : Plastic(UL 94V-0)
- * Lead Wires : UL 2468 AWG #28 OR Equivalent
- * Red Wire Positive(+)
- * Black Wire Negative(-)
- * Weight : 46g (1.62 OZ)
- * Rib Type Only

P & Q CURVE (AT RATED VOLTAGE)

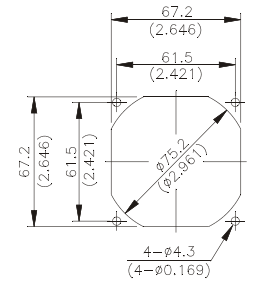
MOUNTING PANEL CUTOUT



OUTLET SIDE



INLET SIDE



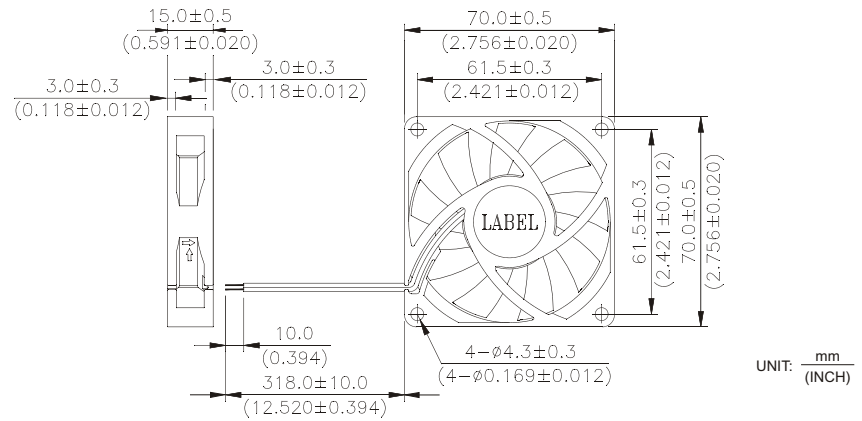
UNIT: mm (INCH)

| MODEL | | Rated Voltage | Operating Voltage Range | Rated Current | Rated Input Power | Speed | Maximum Air Flow | | Maximum Air Pressure | | Noise |
|------------|-------------|---------------|-------------------------|---------------|-------------------|--------|---------------------|-------|----------------------|---------------------|-------|
| PART NO. | FUNCTION | VDC | VDC | Amp | Watt | R.P.M. | m ³ /min | CFM | mmH ₂ O | IN H ₂ O | dB-A |
| AFB0712LC | -R00 / -F00 | 12 | 4.0 to 13.8 | 0.09 | 1.08 | 2800 | 0.600 | 21.19 | 2.01 | 0.079 | 27.0 |
| AFB0724LC | -R00 / -F00 | 24 | 14.0 to 27.6 | 0.07 | 1.68 | | | | | | |
| AFB0712MC | -R00 / -F00 | 12 | 4.0 to 13.8 | 0.16 | 1.92 | 3300 | 0.750 | 26.49 | 2.89 | 0.113 | 31.5 |
| AFB0724MC | -R00 / -F00 | 24 | 14.0 to 27.6 | 0.09 | 2.16 | | | | | | |
| AFB0712HC | -R00 / -F00 | 12 | 4.0 to 13.8 | 0.22 | 2.64 | 3800 | 0.878 | 31.01 | 3.75 | 0.148 | 35.0 |
| AFB0724HC | -R00 / -F00 | 24 | 14.0 to 27.6 | 0.14 | 3.36 | | | | | | |
| AFB0712HHC | -R00 / -F00 | 12 | 4.0 to 13.8 | 0.28 | 3.36 | 4300 | 0.991 | 35.00 | 4.97 | 0.196 | 38.5 |
| AFB0724HHC | -R00 / -F00 | 24 | 14.0 to 27.6 | 0.17 | 4.08 | | | | | | |

- * Function type is optional.
- * The max. air flow and the speed are measured in free air ; max. air pressure is measured at zero air flow.
- * Noise is measured in anechoic chamber in free air, one meter from intake side.
- * All readings are typical values at rated voltage.
- * Specifications are subject to change without notice.
- * Both of the ball bearing and the 1 ball + 1 Sleeve type are available.

AFB 70 x 70 x 15 MM SERIES

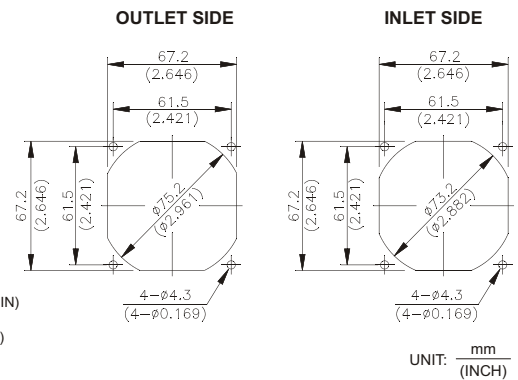
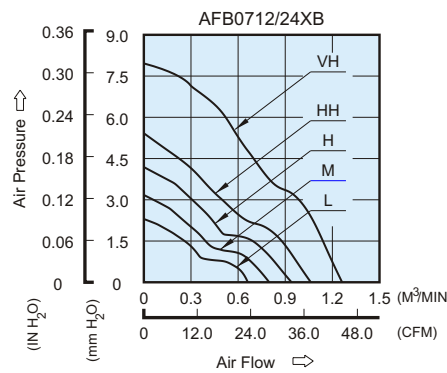
DIMENSIONS DRAWING



- * Bearing Type : Ball Bearings
- * Material : Impeller & Frame : Plastic(UL 94V-0)
- * Lead Wires : UL 1007 AWG #24 OR Equivalent
Red Wire Positive(+)
Black Wire Negative(-)
- * Weight : 47g (1.66 OZ)
- * Rib Type Only

P & Q CURVE (AT RATED VOLTAGE)

MOUNTING PANEL CUTOUT

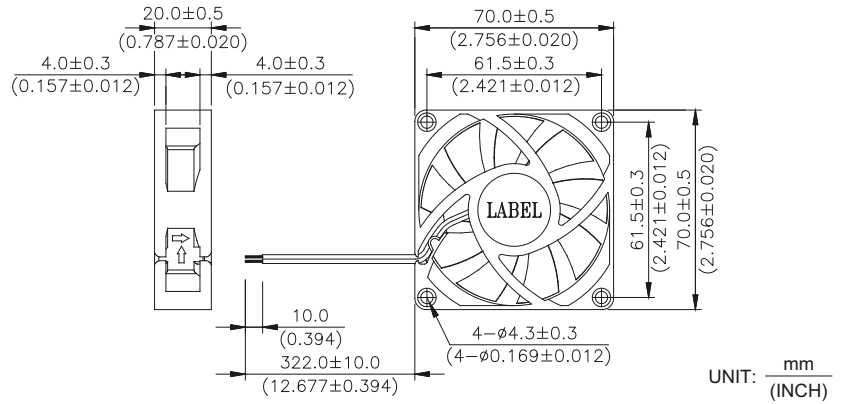


| MODEL | | Rated Voltage | Operating Voltage Range | Rated Current | Rated Input Power | Speed | Maximum Air Flow | | Maximum Air Pressure | | Noise |
|------------|-------------|---------------|-------------------------|---------------|-------------------|--------|---------------------|-------|----------------------|---------------------|-------|
| PART NO. | FUNCTION | VDC | VDC | Amp | Watt | R.P.M. | m ³ /min | CFM | mmH ₂ O | IN H ₂ O | dB-A |
| AFB0712LB | -R00 / -F00 | 12 | 4.0 to 13.8 | 0.08 | 0.96 | 2800 | 0.662 | 23.38 | 2.27 | 0.089 | 26.5 |
| AFB0724LB | -R00 / -F00 | 24 | 14.0 to 27.6 | 0.06 | 1.44 | | | | | | |
| AFB0712MB | -R00 / -F00 | 12 | 4.0 to 13.8 | 0.14 | 1.68 | 3300 | 0.798 | 28.18 | 3.12 | 0.123 | 31.0 |
| AFB0724MB | -R00 / -F00 | 24 | 14.0 to 27.6 | 0.09 | 2.16 | | | | | | |
| AFB0712HB | -R00 / -F00 | 12 | 4.0 to 13.8 | 0.18 | 2.16 | 3800 | 0.940 | 33.20 | 4.12 | 0.162 | 34.5 |
| AFB0724HB | -R00 / -F00 | 24 | 14.0 to 27.6 | 0.12 | 2.88 | | | | | | |
| AFB0712HHB | -R00 / -F00 | 12 | 4.0 to 13.8 | 0.26 | 3.12 | 4300 | 1.063 | 37.54 | 5.33 | 0.210 | 38.5 |
| AFB0724HHB | -R00 / -F00 | 24 | 14.0 to 27.6 | 0.15 | 3.60 | | | | | | |
| AFB0712VHB | -R00 / -F00 | 12 | 4.0 to 12.6 | 0.37 | 4.44 | 5200 | 1.287 | 45.45 | 7.79 | 0.306 | 44.0 |

* Function type is optional.
 * The max. air flow and the speed are measured in free air ; max. air pressure is measured at zero air flow.
 * Noise is measured in anechoic chamber in free air, one meter from intake side.
 * All readings are typical values at rated voltage.
 * Specifications are subject to change without notice.
 * Both of the ball bearing and the 1 ball + 1 Sleeve type are available(except *AFB0712VHB).

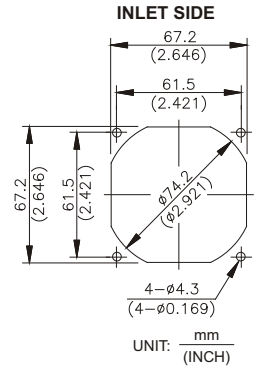
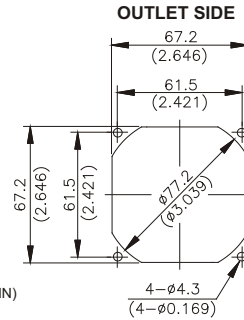
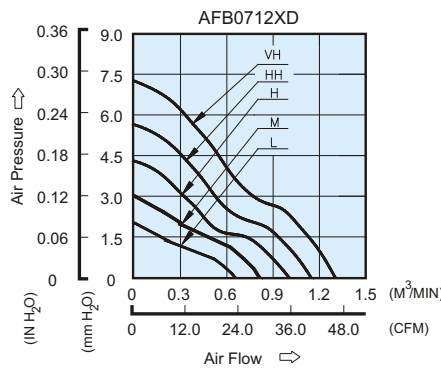
AFB 70 x 70 x 20 MM SERIES

DIMENSIONS DRAWING



P & Q CURVE (AT RATED VOLTAGE)

MOUNTING PANEL CUTOUT



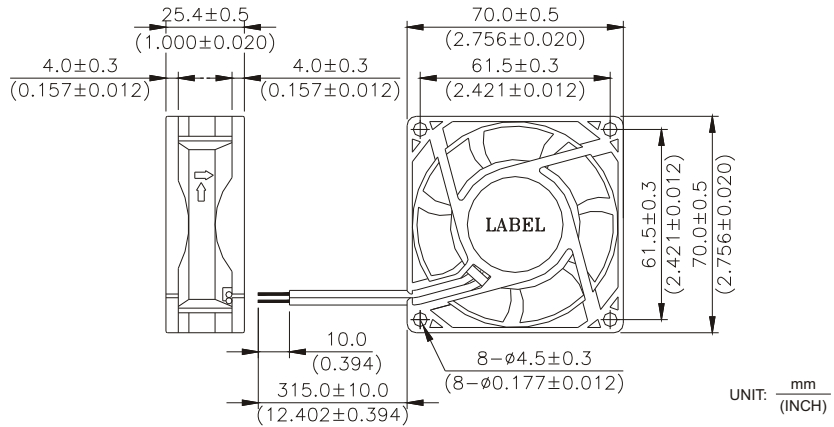
- * Bearing Type
Ball Bearings
- * Material
Impeller & Frame : Plastic (UL 94V-0)
- * Lead Wires :
UL 1007 AWG #24 OR Equivalent
Red Wire Positive (+)
Black Wire Negative (-)
- * Weight : 68g (2.40 oz)
- * Rib Type Only

| MODEL | | Rated Voltage | Operating Voltage Range | Rated Current | Rated Input Power | Speed | Maximum Air Flow | | Maximum Air Pressure | | Noise |
|------------|-------------|---------------|-------------------------|---------------|-------------------|--------|---------------------|-------|----------------------|---------------------|-------|
| PART NO. | FUNCTION | VDC | VDC | Amp | Watt | R.P.M. | m ³ /min | CFM | mmH ₂ O | IN H ₂ O | dB-A |
| AFB0712LD | -R00 / -F00 | 12 | 5.0 to 13.8 | 0.06 | 0.72 | 2600 | 0.682 | 24.08 | 2.01 | 0.079 | 27.0 |
| AFB0712MD | -R00 / -F00 | 12 | 5.0 to 13.8 | 0.11 | 1.32 | 3200 | 0.826 | 29.16 | 2.99 | 0.117 | 32.0 |
| AFB0712HD | -R00 / -F00 | 12 | 5.0 to 13.8 | 0.18 | 2.16 | 3800 | 1.003 | 35.42 | 4.30 | 0.169 | 36.5 |
| AFB0712HHD | -R00 / -F00 | 12 | 5.0 to 13.8 | 0.25 | 3.00 | 4400 | 1.145 | 40.43 | 5.64 | 0.222 | 40.5 |
| AFB0712VHD | -R00 / -F00 | 12 | 5.0 to 13.2 | 0.35 | 4.20 | 5000 | 1.327 | 46.86 | 7.24 | 0.285 | 44.3 |

- * Function type is optional.
- * The max. air flow and the speed are measured in free air ; max. air pressure is measured at zero air flow.
- * Noise is measured in anechoic chamber in free air, one meter from intake side.
- * All readings are typical values at rated voltage.
- * Specifications are subject to change without notice.
- * Both of the ball bearing and the 1 ball + 1 Sleeve type are available.

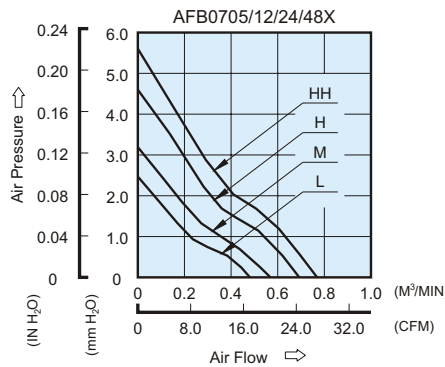
AFB 70 x 70 x 25.4 MM SERIES

DIMENSIONS DRAWING

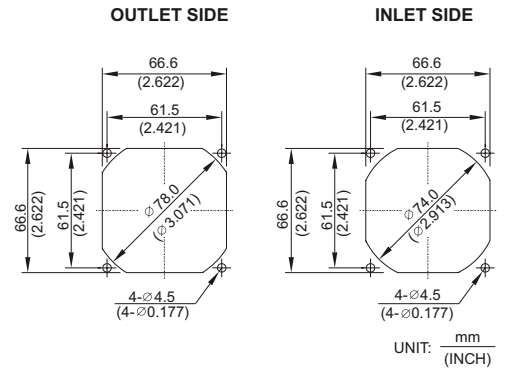


- * Bearing Type
Ball Bearings
- * Material
Impeller & Frame : Plastic (UL 94V-0)
- * Lead Wires :
UL 1007 AWG #24 OR Equivalent
Red Wire Positive (+)
Black Wire Negative (-)
- * Weight : 77g (2.72 oz)

P & Q CURVE (AT RATED VOLTAGE)



MOUNTING PANEL CUTOUT



| MODEL | | Rated Voltage | Operating Voltage Range | Rated Current | Rated Input Power | Speed | Maximum Air Flow | | Maximum Air Pressure | | Noise |
|-----------|-------------|---------------|-------------------------|---------------|-------------------|--------|---------------------|-------|----------------------|---------------------|-------|
| PART NO. | FUNCTION | VDC | VDC | Amp | Watt | R.P.M. | m ³ /min | CFM | mmH ₂ O | IN H ₂ O | dB-A |
| AFB0705L | / -F00 | 5 | 4.5 to 5.5 | 0.15 | 0.75 | 2600 | 0.480 | 16.95 | 2.45 | 0.097 | 24.5 |
| AFB0712L | -R00 / -F00 | 12 | 7.0 to 13.8 | 0.08 | 0.96 | | | | | | |
| AFB0724L | -R00 / -F00 | 24 | 14.0 to 27.6 | 0.04 | 0.96 | | | | | | |
| AFB0748L | -R00 / -F00 | 48 | 28.0 to 56.0 | 0.03 | 1.44 | | | | | | |
| AFB0705M | / -F00 | 5 | 4.5 to 5.5 | 0.22 | 1.10 | 3000 | 0.570 | 20.13 | 3.15 | 0.124 | 28.0 |
| AFB0712M | -R00 / -F00 | 12 | 7.0 to 13.8 | 0.10 | 1.20 | | | | | | |
| AFB0724M | -R00 / -F00 | 24 | 14.0 to 27.6 | 0.05 | 1.20 | | | | | | |
| AFB0748M | -R00 / -F00 | 48 | 28.0 to 56.0 | 0.04 | 1.92 | | | | | | |
| AFB0705H | / -F00 | 5 | 4.5 to 5.5 | 0.40 | 2.00 | 3600 | 0.680 | 24.01 | 4.46 | 0.176 | 32.0 |
| AFB0712H | -R00 / -F00 | 12 | 7.0 to 13.8 | 0.13 | 1.56 | | | | | | |
| AFB0724H | -R00 / -F00 | 24 | 14.0 to 27.6 | 0.08 | 1.92 | | | | | | |
| AFB0748H | -R00 / -F00 | 48 | 28.0 to 56.0 | 0.04 | 1.92 | | | | | | |
| AFB0712HH | -R00 / -F00 | 12 | 4.0 to 13.8 | 0.17 | 2.04 | 4000 | 0.770 | 27.19 | 5.47 | 0.215 | 35.0 |
| AFB0724HH | -R00 / -F00 | 24 | 14.0 to 27.6 | 0.10 | 2.40 | | | | | | |
| AFB0748HH | -R00 / -F00 | 48 | 28.0 to 56.0 | 0.05 | 2.40 | | | | | | |

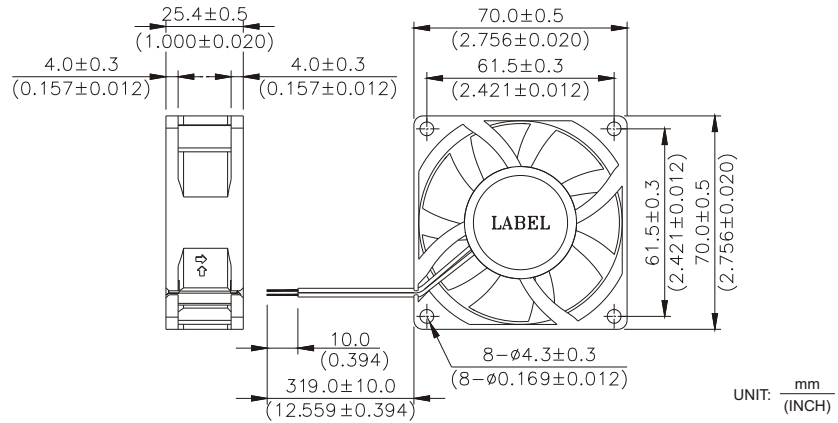
* Function type is optional.
 * The max. air flow and the speed are measured in free air ; max. air pressure is measured at zero air flow.
 * Noise is measured in anechoic chamber in free air, one meter from intake side.
 * All readings are typical values at rated voltage.
 * Specifications are subject to change without notice.

AFB 70 x 70 x 25.4 MM SERIES

New

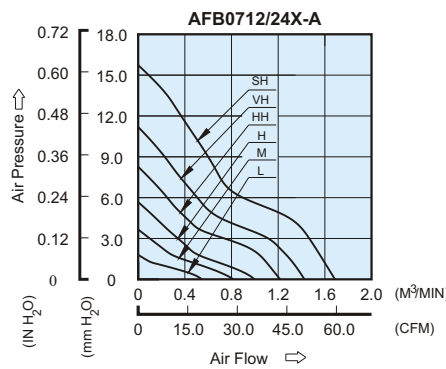


DIMENSIONS DRAWING

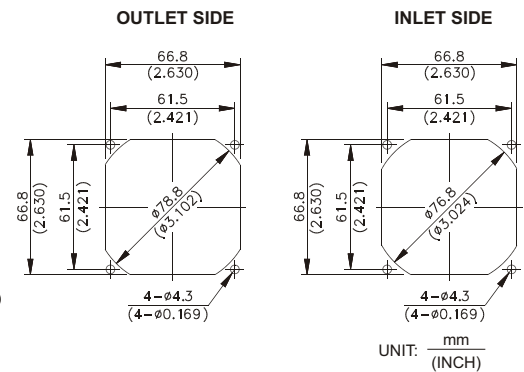


- * Bearing Type
Ball Bearings
- * Material
Impeller & Frame : Plastic (UL 94V-0)
- * Lead Wires :
UL 1007 AWG #24 OR Equivalent
Red Wire Positive (+)
Black Wire Negative (-)
- * Weight : 90g (3.17 oz)

P & Q CURVE (AT RATED VOLTAGE)



MOUNTING PANEL CUTOUT



| MODEL | | | Rated Voltage | Operating Voltage Range | Rated Current | Rated Input Power | Speed | Maximum Air Flow | | Maximum Air Pressure | | Noise |
|-----------|------|-----------|---------------|-------------------------|---------------|-------------------|--------|---------------------|-------|----------------------|---------------------|-------|
| PART NO. | REV. | FUNCTION | VDC | VDC | Amp | Watt | R.P.M. | m ³ /min | CFM | mmH ₂ O | IN H ₂ O | dB-A |
| AFB0712L | -A | -R00/-F00 | 12 | 5.0 to 13.8 | 0.07 | 0.84 | 2300 | 0.599 | 21.16 | 1.99 | 0.078 | 23.0 |
| AFB0724L | -A | -R00/-F00 | 24 | 14.0 to 26.4 | 0.06 | 1.44 | | | | | | |
| AFB0712M | -A | -R00/-F00 | 12 | 5.0 to 13.8 | 0.11 | 1.32 | 3100 | 0.817 | 28.85 | 3.55 | 0.140 | 31.5 |
| AFB0724M | -A | -R00/-F00 | 24 | 14.0 to 26.4 | 0.09 | 2.16 | | | | | | |
| AFB0712H | -A | -R00/-F00 | 12 | 5.0 to 13.8 | 0.17 | 2.04 | 3900 | 1.028 | 36.30 | 5.52 | 0.217 | 37.5 |
| AFB0724H | -A | -R00/-F00 | 24 | 14.0 to 26.4 | 0.13 | 3.12 | | | | | | |
| AFB0712HH | -A | -R00/-F00 | 12 | 5.0 to 13.8 | 0.31 | 3.72 | 4700 | 1.246 | 44.01 | 7.89 | 0.311 | 44.0 |
| AFB0724HH | -A | -R00/-F00 | 24 | 14.0 to 26.4 | 0.18 | 4.32 | | | | | | |
| AFB0712VH | -A | -R00/-F00 | 12 | 5.0 to 12.6 | 0.44 | 5.28 | 5500 | 1.472 | 51.97 | 10.99 | 0.433 | 47.5 |
| AFB0724VH | -A | -R00/-F00 | 24 | 14.0 to 26.4 | 0.27 | 6.48 | | | | | | |
| AFB0712SH | -A | -R00/-F00 | 12 | 5.0 to 13.8 | 0.65 | 7.80 | 6300 | 1.729 | 61.05 | 15.90 | 0.625 | 50.5 |

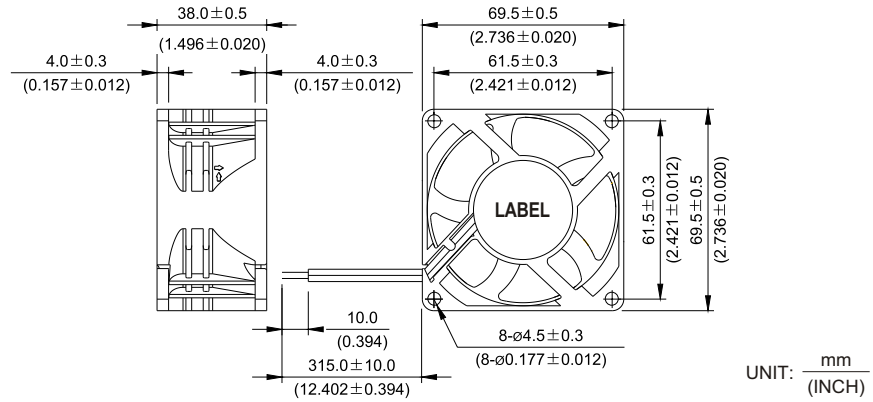
* Function type is optional.
 * The max. air flow and the speed are measured in free air ; max. air pressure is measured at zero air flow.
 * Noise is measured in anechoic chamber in free air, one meter from intake side.
 * All readings are typical values at rated voltage.
 * Specifications are subject to change without notice.
 * "SH" for rib type only Weight:104g(3.66OZ).
 * Both of the ball bearing and the 1 ball + 1 Sleeve type are available.

New



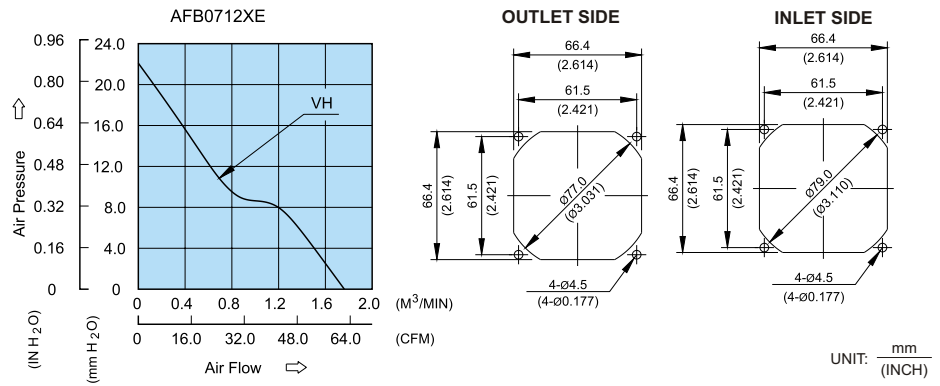
AFB 70 x 70 x 38 MM SERIES

DIMENSIONS DRAWING



- * Bearing Type: Ball Bearings
- * Material: Plastic (UL94V-0)
- * Impeller & Frame: Plastic (UL94V-0)
- * Lead Wires : UL 1007 AWG #24 OR Equivalent
Red Wire Positive (+)
Black Wire Negative (-)
- * Weight : 133g (4.68 oz)

P & Q CURVE (AT RATED VOLTAGE) ■ MOUNTING PANEL CUTOUT

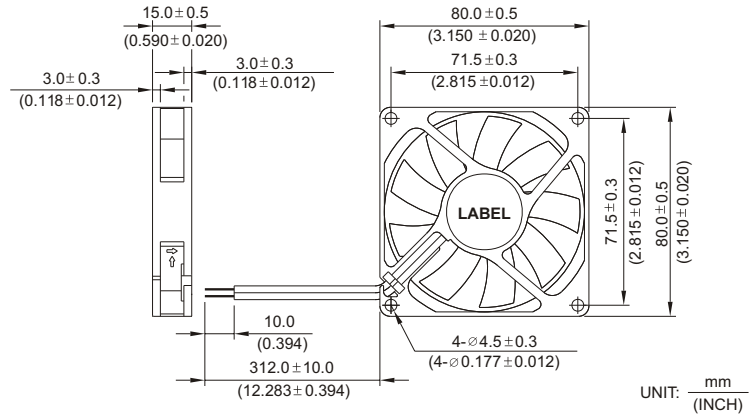


| MODEL | | Rated Voltage | Operating Voltage Range | Rated Current | Rated Input Power | Speed | Maximum Air Flow | | Maximum Air Pressure | | Noise |
|------------|-----------|---------------|-------------------------|---------------|-------------------|--------|---------------------|-------|----------------------|---------------------|-------|
| PART NO. | FUNCTION | VDC | VDC | Amp | Watt | R.P.M. | m ³ /min | CFM | mmH ₂ O | IN H ₂ O | dB-A |
| AFB0712VHE | -R00/-F00 | 12 | 7.0 to 12.6 | 0.70 | 8.40 | 7000 | 1.762 | 62.25 | 22.09 | 0.870 | 51.0 |

* Function type is optional.
 * The max. air flow and the speed are measured in free air ; max. air pressure is measured at zero air flow.
 * Noise is measured in anechoic chamber in free air, one meter from intake side.
 * All readings are typical values at rated voltage.
 * Specifications are subject to change without notice.

AFB 80 x 80 x 15 MM SERIES

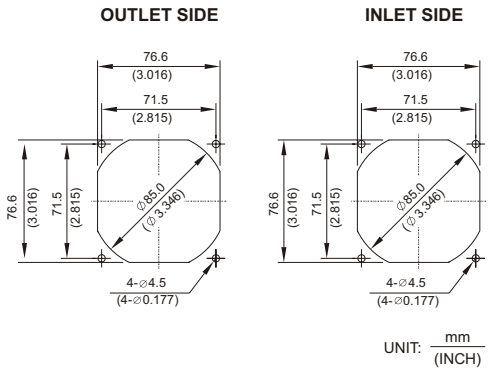
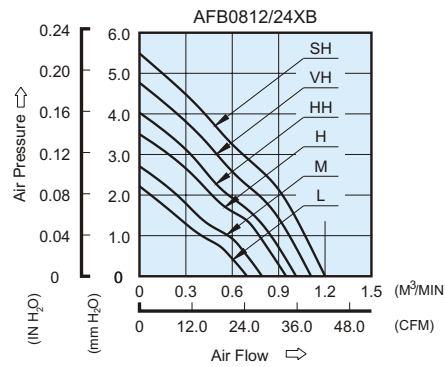
DIMENSIONS DRAWING



- * Bearing Type
Ball Bearings
- * Material
Impeller & Frame : Plastic (UL 94V-0)
- * Lead Wires :
UL 1007 AWG #24 OR Equivalent
Red Wire Positive (+)
Black Wire Negative (-)
- * Weight : 58g (2.05 oz)
- * Rib Type Only

P & Q CURVE (AT RATED VOLTAGE)

MOUNTING PANEL CUTOUT

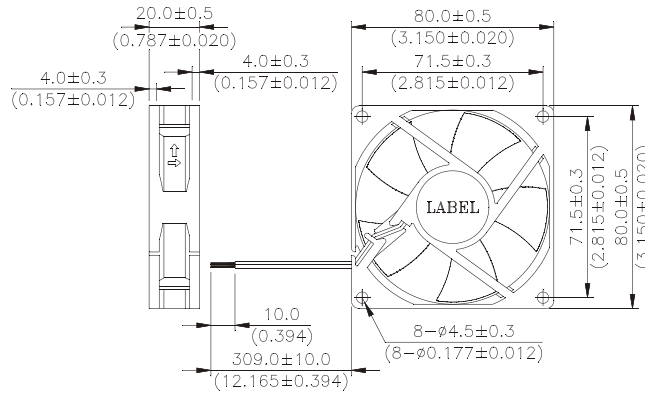


| MODEL | | Rated Voltage | Operating Voltage Range | Rated Current | Rated Input Power | Speed | Maximum Air Flow | | Maximum Air Pressure | | Noise |
|------------|-------------|---------------|-------------------------|---------------|-------------------|--------|---------------------|-------|----------------------|---------------------|-------|
| PART NO. | FUNCTION | VDC | VDC | Amp | Watt | R.P.M. | m ³ /min | CFM | mmH ₂ O | IN H ₂ O | dB-A |
| AFB0812LB | -R00 / -F00 | 12 | 7.0 to 13.8 | 0.09 | 1.08 | 2400 | 0.700 | 24.72 | 2.20 | 0.087 | 27.5 |
| AFB0824LB | -R00 / -F00 | 24 | 14.0 to 27.6 | 0.05 | 1.20 | | | | | | |
| AFB0812MB | -R00 / -F00 | 12 | 7.0 to 13.8 | 0.11 | 1.32 | 2700 | 0.800 | 28.25 | 2.71 | 0.107 | 30.5 |
| AFB0824MB | -R00 / -F00 | 24 | 14.0 to 27.6 | 0.06 | 1.44 | | | | | | |
| AFB0812HB | -R00 / -F00 | 12 | 7.0 to 13.8 | 0.14 | 1.68 | 3100 | 0.950 | 33.55 | 3.50 | 0.138 | 34.0 |
| AFB0824HB | -R00 / -F00 | 24 | 14.0 to 27.6 | 0.08 | 1.92 | | | | | | |
| AFB0812HHB | -R00 / -F00 | 12 | 7.0 to 13.8 | 0.16 | 1.92 | 3400 | 1.010 | 35.67 | 4.03 | 0.159 | 37.0 |
| AFB0824HHB | -R00 / -F00 | 24 | 14.0 to 27.6 | 0.10 | 2.40 | | | | | | |
| AFB0812VHB | -R00 / -F00 | 12 | 7.0 to 13.8 | 0.19 | 2.28 | 3700 | 1.110 | 39.20 | 4.77 | 0.188 | 39.5 |
| AFB0824VHB | -R00 / -F00 | 24 | 14.0 to 27.6 | 0.12 | 2.88 | | | | | | |
| AFB0812SHB | -R00 / -F00 | 12 | 7.0 to 13.8 | 0.27 | 3.24 | 4000 | 1.210 | 42.73 | 5.49 | 0.216 | 42.5 |
| AFB0824SHB | -R00 / -F00 | 24 | 14.0 to 26.0 | 0.17 | 4.08 | | | | | | |

* Function type is optional.
 * The max. air flow and the speed are measured in free air ; max. air pressure is measured at zero air flow.
 * Noise is measured in anechoic chamber in free air, one meter from intake side.
 * All readings are typical values at rated voltage.
 * Specifications are subject to change without notice.

AFB 80 x 80 x 20 MM SERIES

DIMENSIONS DRAWING

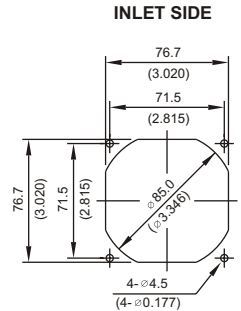
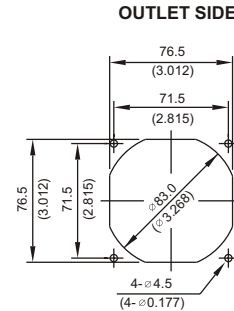
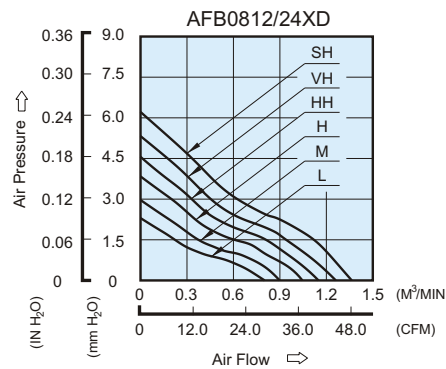


UNIT: $\frac{\text{mm}}{\text{(INCH)}}$

- * Bearing Type
Ball Bearings
- * Material
Impeller & Frame : Plastic (UL 94V-0)
- * Lead Wires :
UL 1007 AWG #24 OR Equivalent
Red Wire Positive (+)
Black Wire Negative (-)
- * Weight : 74g (2.61 oz)

P & Q CURVE (AT RATED VOLTAGE)

MOUNTING PANEL CUTOUT



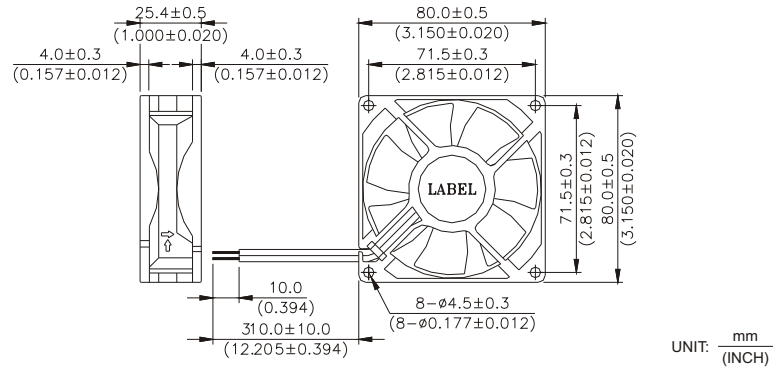
UNIT: $\frac{\text{mm}}{\text{(INCH)}}$

| MODEL | | Rated Voltage | Operating Voltage Range | Rated Current | Rated Input Power | Speed | Maximum Air Flow | | Maximum Air Pressure | | Noise |
|------------|-------------|---------------|-------------------------|---------------|-------------------|-------|---------------------|-------|----------------------|---------------------|-------|
| PART NO. | FUNCTION | VDC | VDC | Amp | Watt | R.P.M | m ³ /min | CFM | mmH ₂ O | IN H ₂ O | dB-A |
| AFB0812LD | -R00 / -F00 | 12 | 7.0 to 13.8 | 0.08 | 0.96 | 2400 | 0.802 | 28.32 | 2.30 | 0.091 | 25.5 |
| AFB0824LD | -R00 / -F00 | 24 | 14.0 to 27.6 | 0.04 | 0.96 | | | | | | |
| AFB0812MD | -R00 / -F00 | 12 | 7.0 to 13.8 | 0.10 | 1.20 | 2700 | 0.899 | 31.75 | 2.97 | 0.117 | 29.0 |
| AFB0824MD | -R00 / -F00 | 24 | 14.0 to 27.6 | 0.05 | 1.20 | | | | | | |
| AFB0812HD | -R00 / -F00 | 12 | 7.0 to 13.8 | 0.12 | 1.44 | 3100 | 1.046 | 36.94 | 3.84 | 0.151 | 34.0 |
| AFB0824HD | -R00 / -F00 | 24 | 14.0 to 27.6 | 0.08 | 1.92 | | | | | | |
| AFB0812HHD | -R00 / -F00 | 12 | 7.0 to 13.8 | 0.17 | 2.04 | 3400 | 1.150 | 40.61 | 4.56 | 0.180 | 36.0 |
| AFB0824HHD | -R00 / -F00 | 24 | 14.0 to 27.6 | 0.09 | 2.16 | | | | | | |
| AFB0812VHD | -R00 / -F00 | 12 | 7.0 to 13.8 | 0.20 | 2.40 | 3700 | 1.262 | 44.57 | 5.33 | 0.210 | 39.0 |
| AFB0824VHD | -R00 / -F00 | 24 | 14.0 to 27.6 | 0.10 | 2.40 | | | | | | |
| AFB0812SHD | -R00 / -F00 | 12 | 7.0 to 13.8 | 0.22 | 2.64 | 4000 | 1.365 | 48.20 | 6.22 | 0.245 | 41.0 |
| AFB0824SHD | -R00 / -F00 | 24 | 14.0 to 27.6 | 0.12 | 2.88 | | | | | | |

* Function type is optional.
 * The max. air flow and the speed are measured in free air ; max. air pressure is measured at zero air flow.
 * Noise is measured in anechoic chamber in free air, one meter from intake side.
 * All readings are typical values at rated voltage.
 * Specifications are subject to change without notice.

AFB 80 x 80 x 25.4 MM SERIES

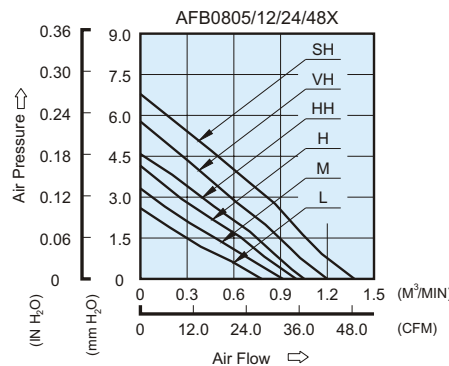
DIMENSIONS DRAWING



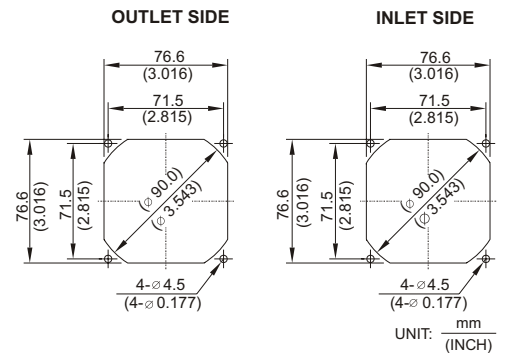
UNIT: mm (INCH)

- * Bearing Type: Ball Bearings
- * Material: Impeller & Frame : Plastic (UL 94V-0)
- * Lead Wires : UL 1007 AWG #24 OR Equivalent
Red Wire Positive (+)
Black Wire Negative (-)
- * Weight : 80g (2.82 oz)

P & Q CURVE (AT RATED VOLTAGE)



MOUNTING PANEL CUTOUT



UNIT: mm (INCH)

| MODEL | | Rated Voltage | Operating Voltage Range | Rated Current | Rated Input Power | Speed | Maximum Air Flow | | Maximum Air Pressure | | Noise |
|-----------|-------------|---------------|-------------------------|---------------|-------------------|--------|----------------------|-------|----------------------|---------------------|-------|
| PART NO. | FUNCTION | VDC | VDC | Amp | Watt | R.P.M. | m ³ / min | CFM | mmH ₂ O | IN H ₂ O | dB-A |
| AFB0805L | / -F00 | 5 | 4.5 to 5.5 | 0.24 | 1.20 | 2400 | 0.790 | 27.90 | 2.59 | 0.102 | 25.0 |
| AFB0812L | -R00 / -F00 | 12 | 7.0 to 13.8 | 0.09 | 1.08 | | | | | | |
| AFB0824L | -R00 / -F00 | 24 | 14.0 to 27.6 | 0.05 | 1.20 | | | | | | |
| AFB0848L | -R00 / -F00 | 48 | 28.0 to 56.0 | 0.05 | 2.40 | | | | | | |
| AFB0805M | / -F00 | 5 | 4.5 to 5.5 | 0.33 | 1.65 | 2700 | 0.890 | 31.43 | 3.28 | 0.129 | 28.0 |
| AFB0812M | -R00 / -F00 | 12 | 7.0 to 13.8 | 0.12 | 1.44 | | | | | | |
| AFB0824M | -R00 / -F00 | 24 | 14.0 to 27.6 | 0.06 | 1.44 | | | | | | |
| AFB0848M | -R00 / -F00 | 48 | 28.0 to 56.0 | 0.06 | 2.88 | | | | | | |
| AFB0805H | / -F00 | 5 | 4.5 to 5.5 | 0.43 | 2.15 | 3000 | 1.000 | 35.31 | 4.04 | 0.159 | 31.0 |
| AFB0812H | -R00 / -F00 | 12 | 7.0 to 13.8 | 0.16 | 1.92 | | | | | | |
| AFB0824H | -R00 / -F00 | 24 | 14.0 to 27.6 | 0.07 | 1.68 | | | | | | |
| AFB0848H | -R00 / -F00 | 48 | 28.0 to 56.0 | 0.07 | 3.36 | | | | | | |
| AFB0812HH | -R00 / -F00 | 12 | 7.0 to 13.8 | 0.20 | 2.40 | 3250 | 1.060 | 37.43 | 4.59 | 0.181 | 34.0 |
| AFB0824HH | -R00 / -F00 | 24 | 14.0 to 27.6 | 0.09 | 2.16 | | | | | | |
| AFB0848HH | -R00 / -F00 | 48 | 28.0 to 56.0 | 0.08 | 3.84 | | | | | | |
| AFB0812VH | -R00 / -F00 | 12 | 7.0 to 13.8 | 0.26 | 3.12 | | | | | | |
| AFB0824VH | -R00 / -F00 | 24 | 14.0 to 27.6 | 0.14 | 3.36 | 3600 | 1.190 | 42.02 | 5.51 | 0.217 | 38.0 |
| AFB0812SH | -R00 / -F00 | 12 | 7.0 to 13.8 | 0.34 | 4.08 | | | | | | |
| AFB0824SH | -R00 / -F00 | 24 | 14.0 to 26.0 | 0.16 | 3.84 | | | | | | |
| AFB0812SH | -R00 / -F00 | 12 | 7.0 to 13.8 | 0.34 | 4.08 | | | | | | |
| AFB0824SH | -R00 / -F00 | 24 | 14.0 to 26.0 | 0.16 | 3.84 | 4000 | 1.320 | 46.62 | 6.78 | 0.267 | 40.0 |
| AFB0812SH | -R00 / -F00 | 12 | 7.0 to 13.8 | 0.34 | 4.08 | | | | | | |
| AFB0824SH | -R00 / -F00 | 24 | 14.0 to 26.0 | 0.16 | 3.84 | | | | | | |

* Function type is optional.
 * The max. air flow and the speed are measured in free air ; max. air pressure is measured at zero air flow.
 * Noise is measured in anechoic chamber in free air, one meter from intake side.
 * All readings are typical values at rated voltage.
 * Specifications are subject to change without notice.

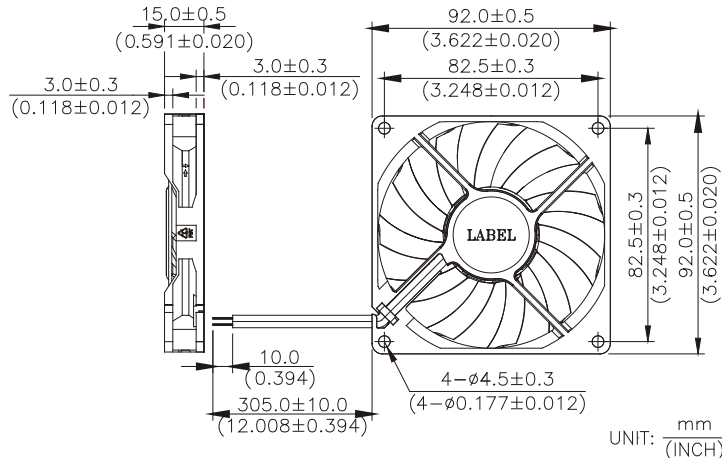
New



- * Bearing Type
Two Ball Bearings
- * Material
Impeller & Frame : Plastic(UL 94V-0)
- * Lead Wires :
UL 1007 AWG #24 OR Equivalent
Red Wire Positive(+)
Black Wire Negative(-)
- * Weight : 68g (2.39 OZ)
- * Rib Type Only

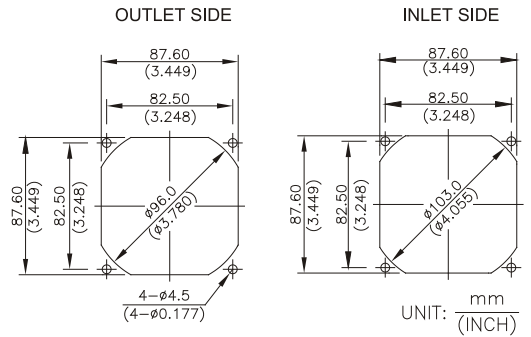
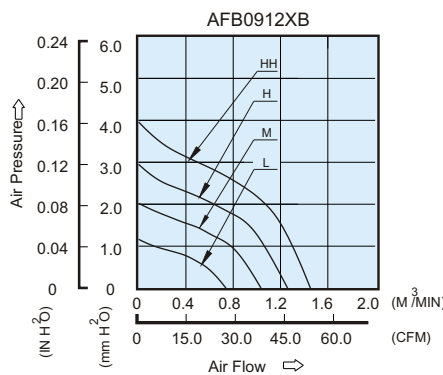
AFB 92 x 92 x 15 MM SERIES

■ DIMENSIONS DRAWING



■ P & Q CURVE (AT RATED VOLTAGE)

■ MOUNTING PANEL CUTOUT

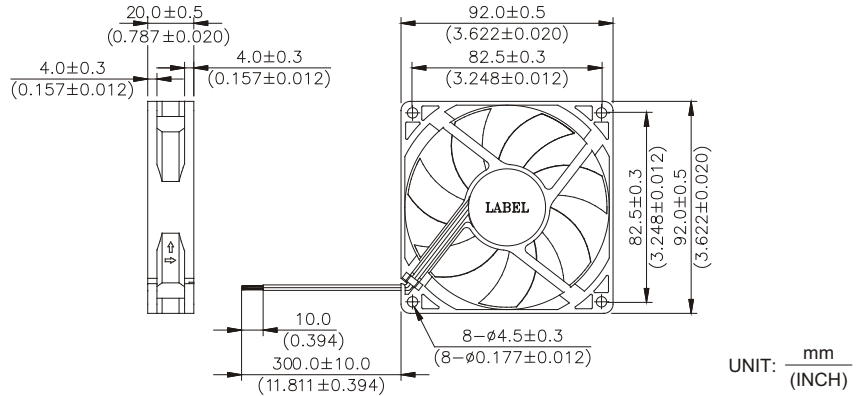


| MODEL | | Rated Voltage | Operating Voltage Range | Rated Current | Rated Input Power | Speed | Maximum Air Flow | | Maximum Air Pressure | | Noise |
|------------|-------------|---------------|-------------------------|---------------|-------------------|--------|---------------------|-------|----------------------|---------------------|-------|
| PART NO. | FUNCTION | VDC | VDC | Amp | Watt | R.P.M. | m ³ /min | CFM | mmH ₂ O | IN H ₂ O | dB-A |
| AFB0912LB | -R00 / -F00 | 12 | 5.0 to 13.8 | 0.10 | 1.20 | 1800 | 0.739 | 26.09 | 1.16 | 0.045 | 25.0 |
| AFB0912MB | -R00 / -F00 | 12 | 5.0 to 13.8 | 0.13 | 1.56 | 2300 | 1.035 | 36.55 | 2.02 | 0.079 | 32.5 |
| AFB0912HB | -R00 / -F00 | 12 | 5.0 to 13.8 | 0.21 | 2.52 | 2800 | 1.260 | 44.49 | 2.95 | 0.116 | 37.5 |
| AFB0912HHB | -R00 / -F00 | 12 | 5.0 to 12.6 | 0.31 | 3.72 | 3300 | 1.453 | 51.53 | 3.96 | 0.156 | 41.5 |

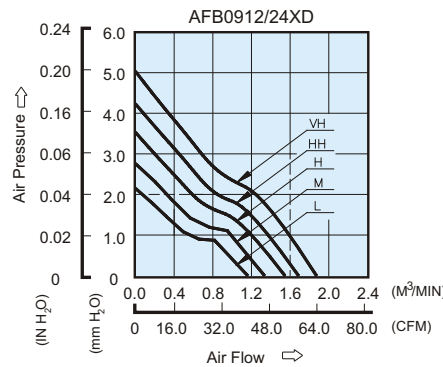
- * Function type is optional.
- * The max. air flow and the speed are measured in free air ; max. air pressure is measured at zero air flow.
- * Noise is measured in anechoic chamber in free air, one meter from intake side.
- * All readings are typical values at rated voltage.
- * Specifications are subject to change without notice.

AFB 92 x 92 x 20 MM SERIES

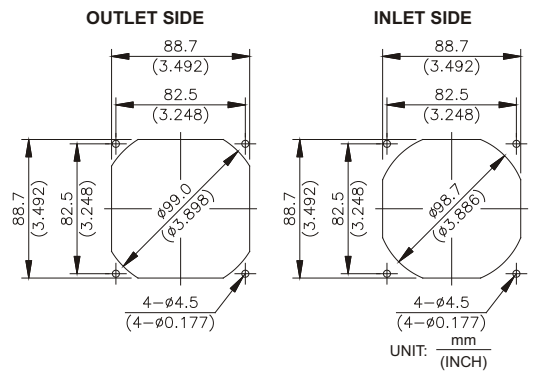
DIMENSIONS DRAWING



P & Q CURVE (AT RATED VOLTAGE)



MOUNTING PANEL CUTOUT



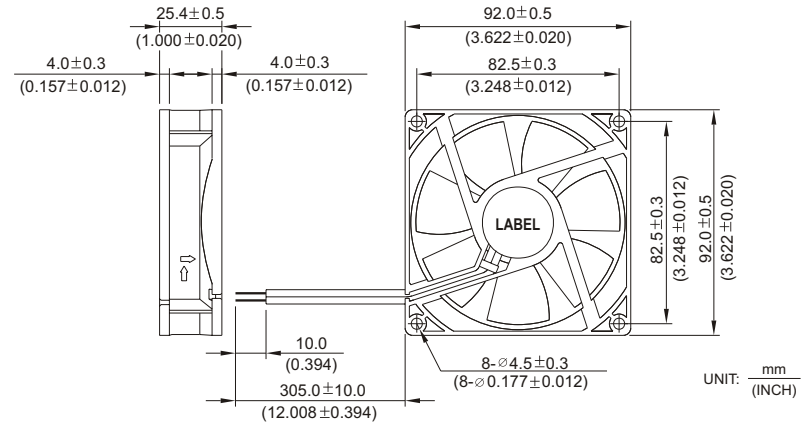
- * Bearing Type
Ball Bearings
- * Material
Impeller & Frame : Plastic (UL 94V-0)
- * Lead Wires :
UL 1007 AWG #24 OR Equivalent
Red Wire Positive (+)
Black Wire Negative (-)
- * Weight : 92g (3.24 oz)

| MODEL | | Rated Voltage | Operating Voltage Range | Rated Current | Rated Input Power | Speed | Maximum Air Flow | | Maximum Air Pressure | | Noise |
|------------|-------------|---------------|-------------------------|---------------|-------------------|--------|----------------------|-------|----------------------|---------------------|-------|
| PART NO. | FUNCTION | VDC | VDC | Amp | Watt | R.P.M. | m ³ / min | CFM | mmH ₂ O | IN H ₂ O | dB-A |
| AFB0912LD | -R00 / -F00 | 12 | 7.0 to 13.8 | 0.08 | 0.96 | 2100 | 1.161 | 41.00 | 2.13 | 0.084 | 28.5 |
| AFB0924LD | -R00 / -F00 | 24 | 14.0 to 27.6 | 0.06 | 1.44 | | | | | | |
| AFB0912MD | -R00 / -F00 | 12 | 7.0 to 13.8 | 0.10 | 1.20 | 2400 | 1.335 | 47.14 | 2.74 | 0.108 | 32.0 |
| AFB0924MD | -R00 / -F00 | 24 | 14.0 to 27.6 | 0.08 | 1.92 | | | | | | |
| AFB0912HD | -R00 / -F00 | 12 | 7.0 to 13.8 | 0.16 | 1.92 | 2700 | 1.546 | 54.60 | 3.51 | 0.138 | 35.0 |
| AFB0924HD | -R00 / -F00 | 24 | 14.0 to 27.6 | 0.10 | 2.40 | | | | | | |
| AFB0912HHD | -R00 / -F00 | 12 | 7.0 to 13.8 | 0.24 | 2.88 | 3000 | 1.686 | 59.54 | 4.22 | 0.166 | 38.0 |
| AFB0924HHD | -R00 / -F00 | 24 | 14.0 to 27.6 | 0.13 | 3.12 | | | | | | |
| AFB0912VHD | -R00 / -F00 | 12 | 7.0 to 13.8 | 0.28 | 3.36 | 3300 | 1.872 | 66.11 | 5.03 | 0.198 | 40.5 |
| AFB0924VHD | -R00 / -F00 | 24 | 14.0 to 27.6 | 0.16 | 3.84 | | | | | | |

* Function type is optional.
 * The max. air flow and the speed are measured in free air ; max. air pressure is measured at zero air flow.
 * Noise is measured in anechoic chamber in free air, one meter from intake side.
 * All readings are typical values at rated voltage.
 * Specifications are subject to change without notice.

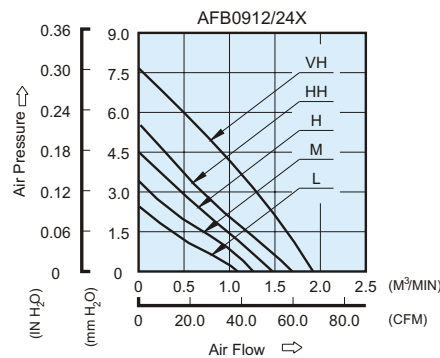
AFB 92 x 92 x 25.4 MM SERIES

DIMENSIONS DRAWING

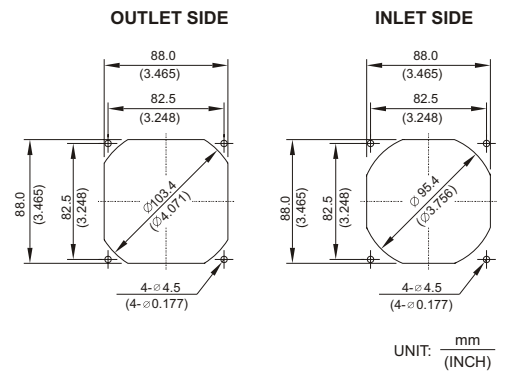


- * Bearing Type
Ball Bearings
- * Material
Impeller & Frame : Plastic (UL 94V-0)
- * Lead Wires :
UL 1007 AWG #24 OR Equivalent
Red Wire Positive (+)
Black Wire Negative (-)
- * Weight : 99g (3.49 oz)

P & Q CURVE (AT RATED VOLTAGE)



MOUNTING PANEL CUTOUT



| MODEL | | Rated Voltage | Operating Voltage Range | Rated Current | Rated Input Power | Speed | Maximum Air Flow | | Maximum Air Pressure | | Noise |
|-----------|-------------|---------------|-------------------------|---------------|-------------------|--------|----------------------|-------|----------------------|---------------------|-------|
| PART NO. | FUNCTION | VDC | VDC | Amp | Watt | R.P.M. | m ² / min | CFM | mmH ₂ O | IN H ₂ O | dB-A |
| AFB0912L | -R00 / -F00 | 12 | 7.0 to 13.8 | 0.07 | 0.84 | 2100 | 1.050 | 37.08 | 2.53 | 0.100 | 25.0 |
| AFB0924L | -R00 / -F00 | 24 | 14.0 to 27.6 | 0.06 | 1.44 | | | | | | |
| AFB0948L | -R00 / -F00 | 48 | 28.0 to 56.0 | 0.05 | 2.40 | | | | | | |
| AFB0912M | -R00 / -F00 | 12 | 7.0 to 13.8 | 0.11 | 1.32 | 2450 | 1.240 | 43.79 | 3.25 | 0.130 | 30.0 |
| AFB0924M | -R00 / -F00 | 24 | 14.0 to 27.6 | 0.08 | 1.92 | | | | | | |
| AFB0948M | -R00 / -F00 | 48 | 28.0 to 56.0 | 0.05 | 2.40 | | | | | | |
| AFB0912H | -R00 / -F00 | 12 | 7.0 to 13.8 | 0.16 | 1.92 | 2850 | 1.450 | 51.21 | 4.50 | 0.177 | 34.0 |
| AFB0924H | -R00 / -F00 | 24 | 14.0 to 27.6 | 0.10 | 2.40 | | | | | | |
| AFB0948H | -R00 / -F00 | 48 | 28.0 to 56.0 | 0.06 | 2.88 | | | | | | |
| AFB0912HH | -R00 / -F00 | 12 | 7.0 to 13.8 | 0.25 | 3.00 | 3200 | 1.640 | 57.92 | 5.62 | 0.221 | 38.0 |
| AFB0924HH | -R00 / -F00 | 24 | 14.0 to 27.6 | 0.13 | 3.12 | | | | | | |
| AFB0948HH | -R00 / -F00 | 48 | 28.0 to 56.0 | 0.08 | 3.84 | | | | | | |
| AFB0912VH | -R00 / -F00 | 12 | 7.0 to 13.8 | 0.40 | 4.80 | 3800 | 1.920 | 67.80 | 7.67 | 0.302 | 45.0 |
| AFB0924VH | -R00 / -F00 | 24 | 14.0 to 27.6 | 0.22 | 5.28 | | | | | | |

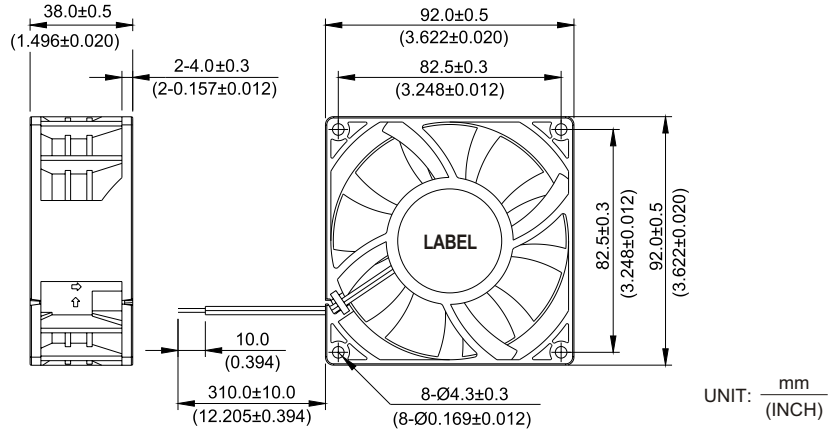
* Function type is optional.
 * The max. air flow and the speed are measured in free air ; max. air pressure is measured at zero air flow.
 * Noise is measured in anechoic chamber in free air, one meter from intake side.
 * All readings are typical values at rated voltage.
 * Specifications are subject to change without notice.

New



AFB 92 x 92 x 38 MM SERIES

DIMENSIONS DRAWING

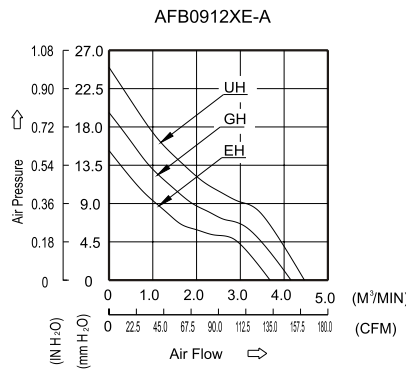


UNIT: $\frac{\text{mm}}{\text{(INCH)}}$

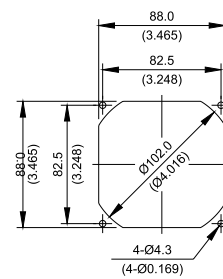
- * Bearing Type
Ball Bearings
- Material
Impeller & Frame : Plastic (UL94V-0)
- * Lead Wires :
UL 1007 AWG #24 OR Equivalent
Red Wire Positive (+)
Black Wire Negative (-)
- * Weight : 245g (8.64 oz)

P & Q CURVE (AT RATED VOLTAGE)

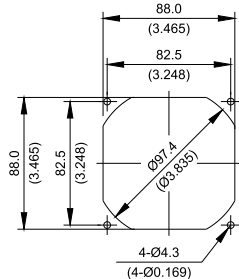
MOUNTING PANEL CUTOUT



OUTLET SIDE



INLET SIDE



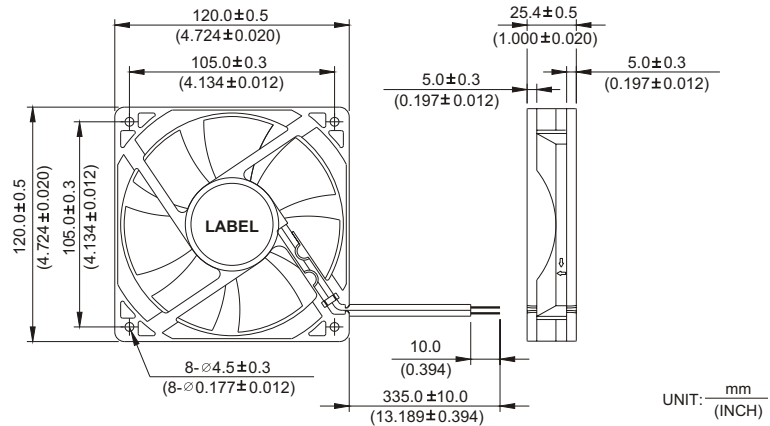
UNIT: $\frac{\text{mm}}{\text{(INCH)}}$

| MODEL | | | Rated Voltage | Operating Voltage Range | Rated Current | Rated Input Power | Speed | Maximum Air Flow | | Maximum Air Pressure | | Noise |
|------------|------|-------------|---------------|-------------------------|---------------|-------------------|--------|---------------------|--------|----------------------|---------------------|-------|
| PART NO. | REV. | FUNCTION | VDC | VDC | Amp | Watt | R.P.M. | m ³ /min | CFM | mmH ₂ O | IN H ₂ O | dB-A |
| AFB0912EHE | -A | -R00 / -F00 | 12 | 7.0 to 13.8 | 1.40 | 16.80 | 4800 | 3.605 | 127.31 | 16.13 | 0.635 | 56.0 |
| AFB0912GHE | -A | -R00 / -F00 | 12 | 7.0 to 13.8 | 1.85 | 22.20 | 5400 | 4.074 | 143.87 | 20.37 | 0.802 | 60.0 |
| AFB0912UHE | -A | -R00 / -F00 | 12 | 7.0 to 13.2 | 2.50 | 30.00 | 6000 | 4.537 | 160.22 | 25.45 | 1.002 | 63.0 |

* Function type is optional.
 * The max. air flow and the speed are measured in free air ; max. air pressure is measured at zero air flow.
 * Noise is measured in anechoic chamber in free air, one meter from intake side.
 * All readings are typical values at rated voltage.
 * Specifications are subject to change without notice.

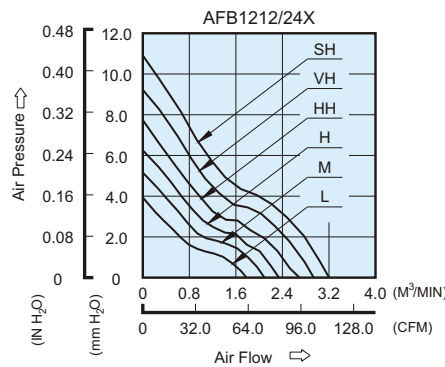
AFB 120 x 120 x 25.4 MM SERIES

DIMENSIONS DRAWING

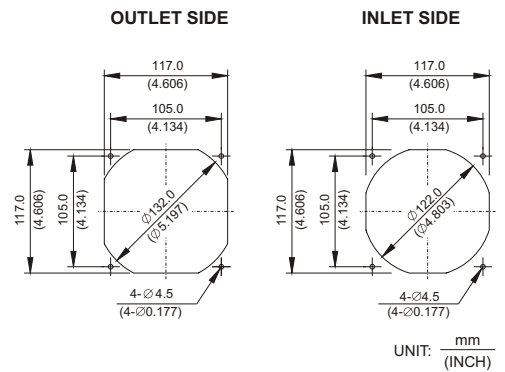


- * Bearing Type: Ball Bearings
- * Material: Impeller & Frame : Plastic (UL 94V-0)
- * Lead Wires : UL 1007 AWG #24 OR Equivalent
Red Wire Positive (+)
Black Wire Negative (-)
- * Weight : 198g (6.98 oz)

P & Q CURVE (AT RATED VOLTAGE)



MOUNTING PANEL CUTOUT

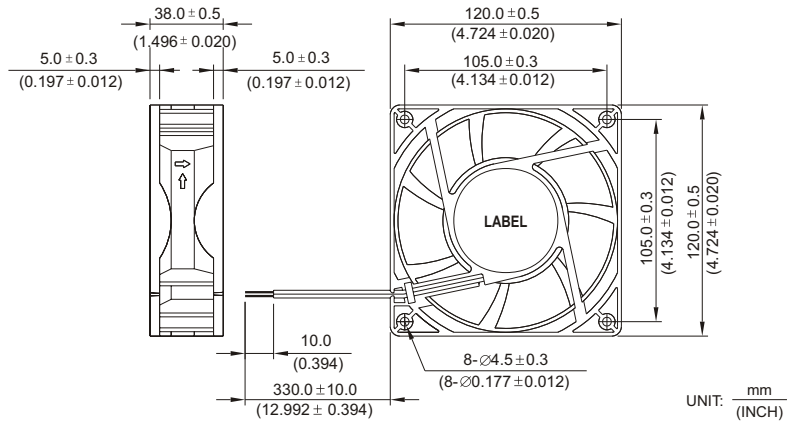


| MODEL | | Rated Voltage | Operating Voltage Range | Rated Current | Rated Input Power | Speed | Maximum Air Flow | | Maximum Air Pressure | | Noise |
|-----------|-------------|---------------|-------------------------|---------------|-------------------|--------|---------------------|--------|----------------------|---------------------|-------|
| PART NO. | FUNCTION | VDC | VDC | Amp | Watt | R.P.M. | m ³ /min | CFM | mmH ₂ O | IN H ₂ O | dB-A |
| AFB1212L | -R00 / -F00 | 12 | 7.0 to 13.8 | 0.14 | 1.68 | 1900 | 1.782 | 62.93 | 3.93 | 0.154 | 32.5 |
| AFB1224L | -R00 / -F00 | 24 | 14.0 to 27.6 | 0.09 | 2.16 | | | | | | |
| AFB1212M | -R00 / -F00 | 12 | 7.0 to 13.8 | 0.18 | 2.16 | 2200 | 2.091 | 73.84 | 5.15 | 0.203 | 35.5 |
| AFB1224M | -R00 / -F00 | 24 | 14.0 to 27.6 | 0.12 | 2.88 | | | | | | |
| AFB1212H | -R00 / -F00 | 12 | 7.0 to 13.8 | 0.23 | 2.76 | 2500 | 2.341 | 82.67 | 6.25 | 0.246 | 38.5 |
| AFB1224H | -R00 / -F00 | 24 | 14.0 to 27.6 | 0.14 | 3.36 | | | | | | |
| AFB1212HH | -R00 / -F00 | 12 | 7.0 to 13.8 | 0.33 | 3.96 | 2800 | 2.694 | 95.14 | 7.73 | 0.304 | 41.5 |
| AFB1224HH | -R00 / -F00 | 24 | 14.0 to 27.6 | 0.18 | 4.32 | | | | | | |
| AFB1212VH | -R00 / -F00 | 12 | 7.0 to 13.8 | 0.40 | 4.80 | 3100 | 2.938 | 103.75 | 9.43 | 0.371 | 44.5 |
| AFB1224VH | -R00 / -F00 | 24 | 14.0 to 27.6 | 0.23 | 5.52 | | | | | | |
| AFB1212SH | -R00 / -F00 | 12 | 7.0 to 13.8 | 0.53 | 6.36 | 3400 | 3.203 | 113.11 | 10.92 | 0.430 | 46.5 |
| AFB1224SH | -R00 / -F00 | 24 | 14.0 to 27.6 | 0.28 | 6.72 | | | | | | |

* Function type is optional.
 * The max. air flow and the speed are measured in free air ; max. air pressure is measured at zero air flow.
 * Noise is measured in anechoic chamber in free air, one meter from intake side.
 * All readings are typical values at rated voltage.
 * Specifications are subject to change without notice.

AFB 120 x 120 x 38 MM SERIES

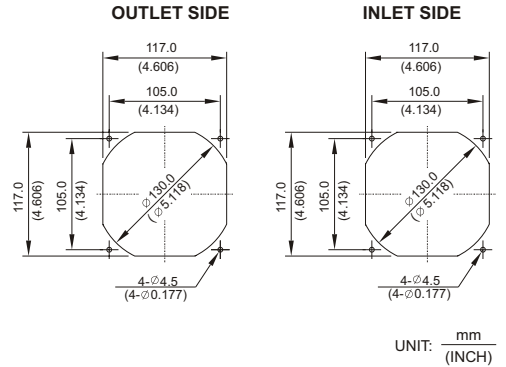
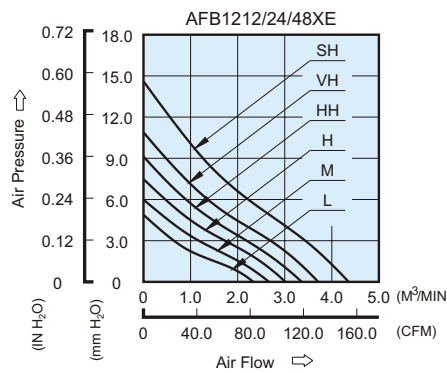
DIMENSIONS DRAWING



- * Bearing Type
Ball Bearings
- * Material
Impeller & Frame : Plastic (UL 94V-0)
- * Lead Wires :
UL 1007 AWG #24 OR Equivalent
Red Wire Positive (+)
Black Wire Negative (-)
- * Weight : 256g (9.03 oz)

P & Q CURVE (AT RATED VOLTAGE)

MOUNTING PANEL CUTOUT



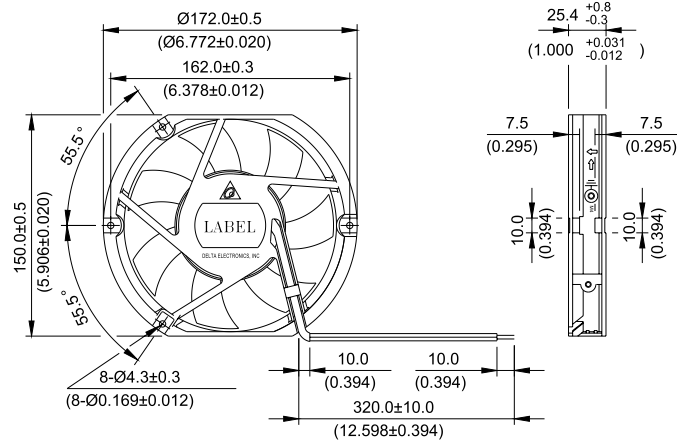
| MODEL | | Rated Voltage | Operating Voltage Range | Rated Current | Rated Input Power | Speed | Maximum Air Flow | | Maximum Air Pressure | | Noise |
|------------|-------------|---------------|-------------------------|---------------|-------------------|--------|---------------------|--------|----------------------|---------------------|-------|
| PART NO. | FUNCTION | VDC | VDC | Amp | Watt | R.P.M. | m ³ /min | CFM | mmH ₂ O | IN H ₂ O | dB-A |
| AFB1212LE | -R00 / -F00 | 12 | 4.0 to 13.2 | 0.19 | 2.28 | 2000 | 2.400 | 84.76 | 4.56 | 0.180 | 34.0 |
| AFB1224LE | -R00 / -F00 | 24 | 7.0 to 27.6 | 0.15 | 3.60 | | | | | | |
| AFB1248LE | -R00 / -F00 | 48 | 28.0 to 56.0 | 0.06 | 2.88 | | | | | | |
| AFB1212ME | -R00 / -F00 | 12 | 4.0 to 13.2 | 0.26 | 3.12 | 2300 | 2.690 | 95.00 | 6.00 | 0.236 | 38.0 |
| AFB1224ME | -R00 / -F00 | 24 | 7.0 to 27.6 | 0.19 | 4.56 | | | | | | |
| AFB1248ME | -R00 / -F00 | 48 | 28.0 to 56.0 | 0.08 | 3.84 | | | | | | |
| AFB1212HE | -R00 / -F00 | 12 | 4.0 to 13.2 | 0.32 | 3.84 | 2600 | 3.000 | 105.94 | 7.60 | 0.300 | 41.0 |
| AFB1224HE | -R00 / -F00 | 24 | 7.0 to 27.6 | 0.24 | 5.76 | | | | | | |
| AFB1248HE | -R00 / -F00 | 48 | 28.0 to 56.0 | 0.12 | 5.76 | | | | | | |
| AFB1212HHE | -R00 / -F00 | 12 | 4.0 to 13.2 | 0.46 | 5.52 | 2900 | 3.400 | 120.07 | 9.00 | 0.354 | 44.0 |
| AFB1224HHE | -R00 / -F00 | 24 | 7.0 to 27.6 | 0.30 | 7.20 | | | | | | |
| AFB1248HHE | -R00 / -F00 | 48 | 28.0 to 56.0 | 0.15 | 7.20 | | | | | | |
| AFB1212VHE | -R00 / -F00 | 12 | 4.0 to 13.2 | 0.60 | 7.20 | 3200 | 3.680 | 129.96 | 10.70 | 0.420 | 48.0 |
| AFB1224VHE | -R00 / -F00 | 24 | 7.0 to 27.6 | 0.38 | 9.12 | | | | | | |
| AFB1248VHE | -R00 / -F00 | 48 | 28.0 to 56.0 | 0.18 | 8.64 | | | | | | |
| AFB1212SHE | -R00 / -F00 | 12 | 4.0 to 13.2 | 1.05 | 12.60 | 3700 | 4.300 | 151.85 | 14.50 | 0.571 | 53.0 |
| AFB1224SHE | -R00 / -F00 | 24 | 7.0 to 27.6 | 0.50 | 12.00 | | | | | | |

* Function type is optional.
 * The max. air flow and the speed are measured in free air ; max. air pressure is measured at zero air flow.
 * Noise is measured in anechoic chamber in free air, one meter from intake side.
 * All readings are typical values at rated voltage.
 * Specifications are subject to change without notice.

New

AFB 172 x 150 x 25.4 MM SERIES

DIMENSIONS DRAWING



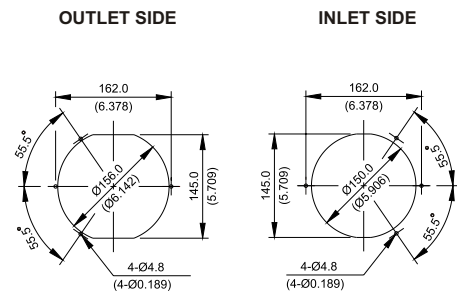
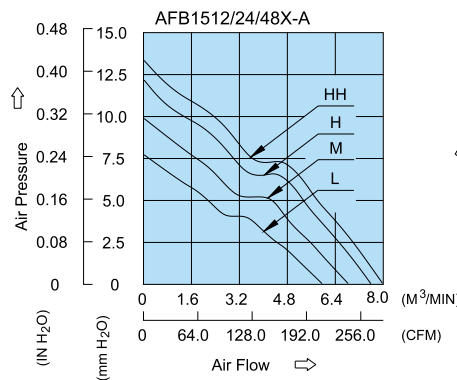
UNIT: $\frac{\text{mm}}{\text{INCH}}$



- * Bearing Type
Ball Bearings
- * Material
Impeller : Plastic (UL 94V-0)
Frame : Die-Cast Aluminum
- * Lead Wires :
UL 1007AWG#24 OR Equivalent
Red Wire Positive (+)
Black Wire Negative (-)
- * Weight : 430g (15.17 oz)

P & Q CURVE (AT RATED VOLTAGE)

MOUNTING PANEL CUTOUT



UNIT: $\frac{\text{mm}}{\text{INCH}}$

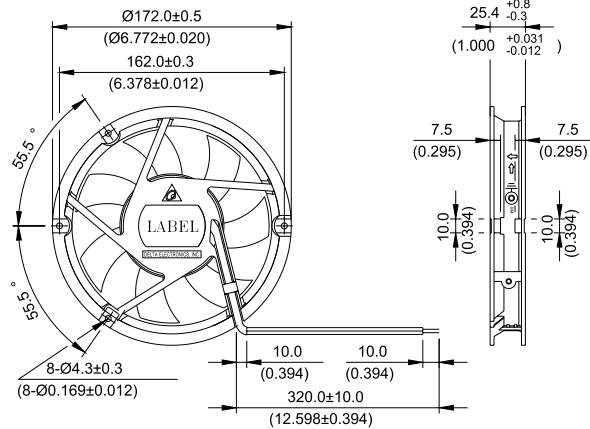
| MODEL | | | Rated Voltage | Operating Voltage Range | Rated Current | Rated Input Power | Speed | Maximum Air Flow | | Maximum Air Pressure | | Noise |
|-----------|-----|-------------|---------------|-------------------------|---------------|-------------------|--------|---------------------|--------|----------------------|---------------------|-------|
| PART NO. | REV | FUNCTION | VDC | VDC | Amp | Watt | R.P.M. | m ³ /min | CFM | mmH ₂ O | IN H ₂ O | dB-A |
| AFB1512L | -A | -R00 / -F00 | 12 | 6.0 to 14.0 | 0.56 | 6.72 | 2400 | 4.553 | 160.77 | 7.75 | 0.305 | 46.0 |
| AFB1524L | -A | -R00 / -F00 | 24 | 12.0 to 30.0 | 0.31 | 7.44 | | | | | | |
| AFB1548L | -A | -R00 / -F00 | 48 | 24.0 to 60.0 | 0.17 | 8.16 | | | | | | |
| AFB1512M | -A | -R00 / -F00 | 12 | 6.0 to 14.0 | 0.76 | 9.12 | 2700 | 5.134 | 181.32 | 9.70 | 0.382 | 49.0 |
| AFB1524M | -A | -R00 / -F00 | 24 | 12.0 to 30.0 | 0.40 | 9.60 | | | | | | |
| AFB1548M | -A | -R00 / -F00 | 48 | 24.0 to 60.0 | 0.22 | 10.56 | | | | | | |
| AFB1512H | -A | -R00 / -F00 | 12 | 6.0 to 14.0 | 0.98 | 11.76 | 3000 | 5.735 | 202.54 | 11.85 | 0.467 | 52.0 |
| AFB1524H | -A | -R00 / -F00 | 24 | 12.0 to 30.0 | 0.50 | 12.00 | | | | | | |
| AFB1548H | -A | -R00 / -F00 | 48 | 24.0 to 60.0 | 0.27 | 12.96 | | | | | | |
| AFB1512HH | -A | -R00 / -F00 | 12 | 6.0 to 14.0 | 1.17 | 14.04 | 3200 | 6.084 | 214.85 | 13.30 | 0.524 | 53.5 |
| AFB1524HH | -A | -R00 / -F00 | 24 | 12.0 to 30.0 | 0.62 | 14.88 | | | | | | |
| AFB1548HH | -A | -R00 / -F00 | 48 | 24.0 to 60.0 | 0.31 | 14.88 | | | | | | |

* Function type is optional.
 * The max. air flow and the speed are measured in free air ; max. air pressure is measured at zero air flow.
 * Noise is measured in anechoic chamber in free air, one meter from intake side.
 * All readings are typical values at rated voltage.
 * Specifications are subject to change without notice.

New

AFB Ø 172 x 25.4 MM SERIES

DIMENSIONS DRAWING

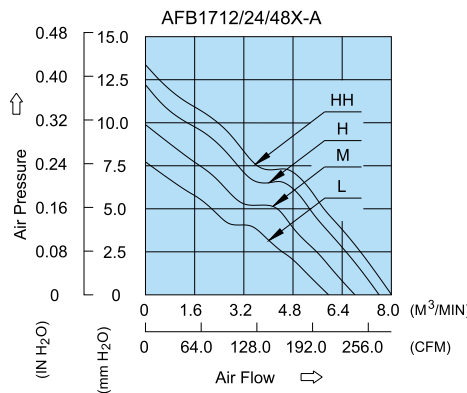


UNIT: $\frac{\text{mm}}{\text{(INCH)}}$

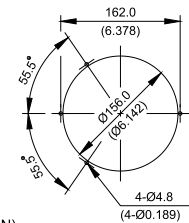
- * Bearing Type: Ball Bearings
- * Material: Impeller : Plastic (UL 94V-0); Frame : Die-Cast Aluminum
- * Lead Wires : UL 1007AWG#24 OR Equivalent; Red Wire Positive (+); Black Wire Negative (-)
- * Weight : 450g (15.87 oz)

P & Q CURVE (AT RATED VOLTAGE)

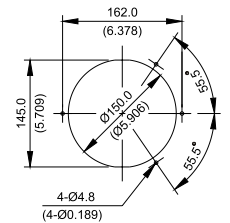
MOUNTING PANEL CUTOUT



OUTLET SIDE



INLET SIDE



UNIT: $\frac{\text{mm}}{\text{(INCH)}}$

| MODEL | | | Rated Voltage | Operating Voltage Range | Rated Current | Rated Input Power | Speed | Maximum Air Flow | | Maximum Air Pressure | | Noise |
|-----------|-----|-------------|---------------|-------------------------|---------------|-------------------|--------|---------------------|--------|----------------------|---------------------|-------|
| PART NO. | REV | FUNCTION | VDC | VDC | Amp | Watt | R.P.M. | m ³ /min | CFM | mmH ₂ O | IN H ₂ O | dB-A |
| AFB1712L | -A | -R00 / -F00 | 12 | 6.0 to 14.0 | 0.56 | 6.72 | 2400 | 4.553 | 160.77 | 7.75 | 0.305 | 46.0 |
| AFB1724L | -A | -R00 / -F00 | 24 | 12.0 to 30.0 | 0.31 | 7.44 | | | | | | |
| AFB1748L | -A | -R00 / -F00 | 48 | 24.0 to 60.0 | 0.17 | 8.16 | | | | | | |
| AFB1712M | -A | -R00 / -F00 | 12 | 6.0 to 14.0 | 0.76 | 9.12 | 2700 | 5.134 | 181.32 | 9.70 | 0.382 | 49.0 |
| AFB1724M | -A | -R00 / -F00 | 24 | 12.0 to 30.0 | 0.40 | 9.60 | | | | | | |
| AFB1748M | -A | -R00 / -F00 | 48 | 24.0 to 60.0 | 0.22 | 10.56 | | | | | | |
| AFB1712H | -A | -R00 / -F00 | 12 | 6.0 to 14.0 | 0.98 | 11.76 | 3000 | 5.735 | 202.54 | 11.85 | 0.467 | 52.0 |
| AFB1724H | -A | -R00 / -F00 | 24 | 12.0 to 30.0 | 0.50 | 12.00 | | | | | | |
| AFB1748H | -A | -R00 / -F00 | 48 | 24.0 to 60.0 | 0.27 | 12.96 | | | | | | |
| AFB1712HH | -A | -R00 / -F00 | 12 | 6.0 to 14.0 | 1.17 | 14.04 | 3200 | 6.084 | 214.85 | 13.30 | 0.524 | 53.5 |
| AFB1724HH | -A | -R00 / -F00 | 24 | 12.0 to 30.0 | 0.62 | 14.88 | | | | | | |
| AFB1748HH | -A | -R00 / -F00 | 48 | 24.0 to 60.0 | 0.31 | 14.88 | | | | | | |

* Function type is optional.
 * The max. air flow and the speed are measured in free air ; max. air pressure is measured at zero air flow.
 * Noise is measured in anechoic chamber in free air, one meter from intake side.
 * All readings are typical values at rated voltage.
 * Specifications are subject to change without notice.