



Features/Benefits

- Easy X, Y coding on single side PCB
- Positive tactile feedback
- High temperature type available
- Wide variety of colors & styles
- RoHS compliant and compatible

Typical Applications

- Automotive
- Video
- Electronic games
- Appliances

Construction

FUNCTION: momentary
 CONTACT ARRANGEMENT: 1 make contact (SPST), NO
 DISTANCE BETWEEN BUTTON CENTERS, MIN.: 12,7 (0.500)
 TERMINALS: PC pins

Electrical

SWITCHING POWER MAX.: 6 VA
 SWITCHING VOLTAGE MAX.: 32 V DC
 SWITCHING CURRENT MAX.: 100 mA DC
 DIELECTRIC STRENGTH (50 Hz / 1 min): 1000 V
 OPERATING LIFE with max. switching power: (10⁶ operations)
 CONTACT RESISTANCE: ≤100 mΩ
 INSULATION RESISTANCE: ≥10¹¹ Ω
 BOUNCE TIME: ≤ 3 ms

Mechanical

SWITCHING TRAVEL: 0,8 ± 0,2 (0.0301 ± 0.0078)
 OPERATING FORCE: 1.3 N ± 30% (130 grams ± 30%)

Environmental

OPERATING TEMPERATURE: -20°C to 85°C.

Process

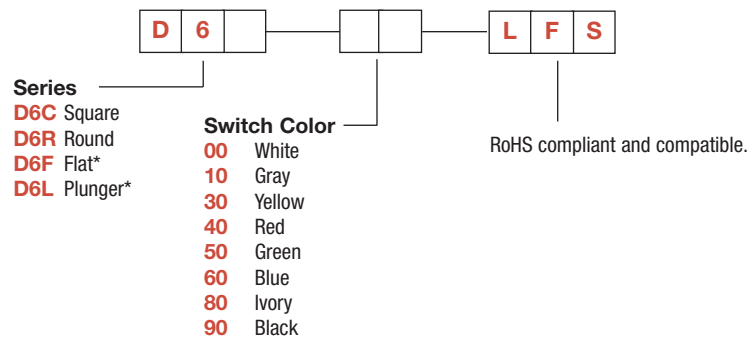
SOLDERABILITY:

Hand soldering: 350°C for 3 seconds
 Wave or bath soldering: 260°C for 5 seconds
 Cleaning: Use solvents compatible with ABS

How To Order

Our easy build-a-switch concept allows you to mix and match options to create the switch you need. To order, select desired option from each category and place it in the appropriate box.

Switch

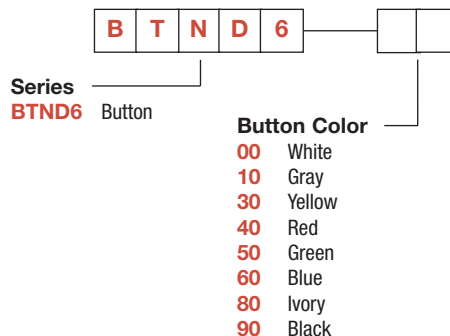


*Available in black only.

Button

Buttons can be ordered separately.
 Shipped in bulk.

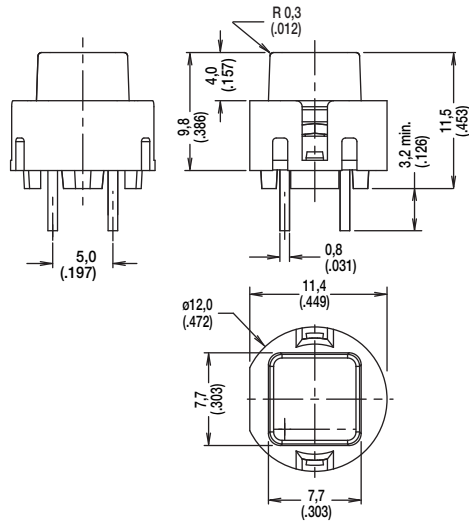
D6 button for use with D6C only.



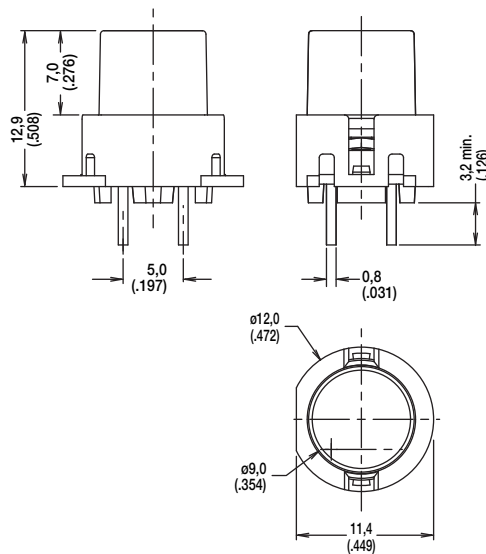
D6 SPST Momentary Key Switches

SERIES 

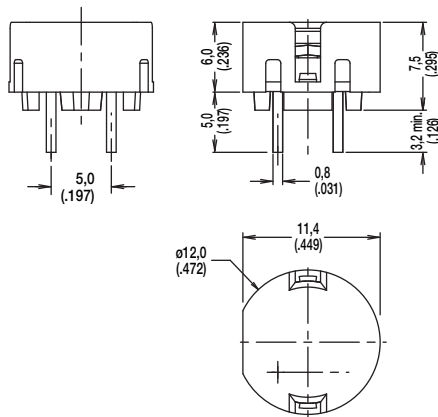
D6C



D6R



D6F ONLY AVAILABLE IN BLACK



Key Switches



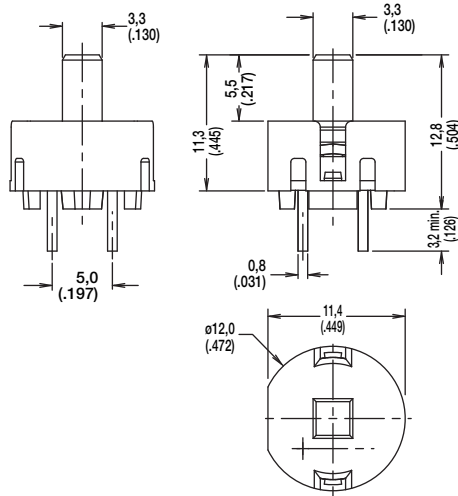
Dimensions are shown: mm (inch)
Specifications and dimensions subject to change

www.ittcannon.com

SPST Momentary Key Switches

SERIES

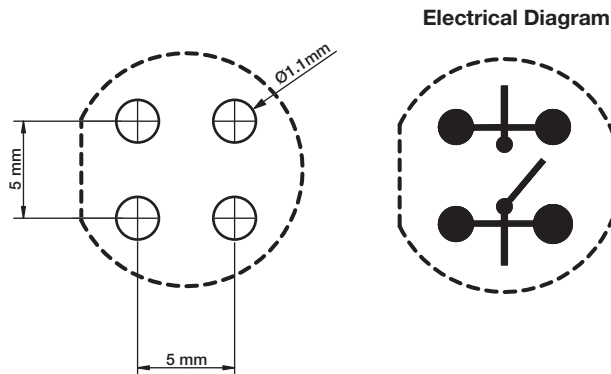
D6L ONLY AVAILABLE IN BLACK



SWITCH COLORS

OPTION CODE	SWITCH COLOR
00	WHITE
10	GRAY
30	YELLOW
40	RED
50	GREEN
60	BLUE
80	IVORY
90	BLACK

PCB Layout



Dimensions are shown: mm (inch)
Specifications and dimensions subject to change

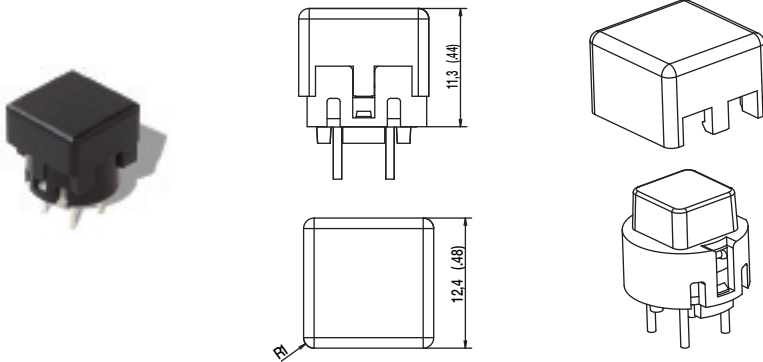


D6 SPST Momentary Key Switches

BUTTON AVAILABLE

BTND6 Buttons must be ordered separately. Shipped in bulk.

NOTE: Only compatible with D6C.



OPTION CODE	BUTTON COLOR
00	WHITE
10	GRAY
30	YELLOW
40	RED
50	GREEN
60	BLUE
80	IVORY
90	BLACK



Key Switches



Dimensions are shown: mm (inch)
Specifications and dimensions subject to change

www.ittcannon.com