

Limit and Enclosed Switches

International Compact Limit Switches

LS Series



FEATURES

- Ideal source of replacement parts for imported machine tools or transplant factories.
- Made in Honeywell factories in Europe and Japan.
- Mode of operation is field adjustable
- NEMA 1, 3, 3R, 4, 6, 12, and 13
- Optional indicator light with Neon lamp or LED
- Rugged cast aluminum housing
- Temperature range -20° to 70°C (-2° to 158°F)
- Gold plated contacts available

CIRCUITRY

<p>Two-Circuit Double-Break</p>	10A – 125, 250, 480 VAC 0.8A – 125 VDC, 0.4A – 250 VDC ½ HP – 125 VDC, 1 HP – 250 VAC
---------------------------------	---

INTERNATIONAL LISTINGS ORDER GUIDE

Description	Honeywell Europe	Yamatake	O.F. max.	P.T. max.	O.T. max.	D.T. max.
Standard	ILS1-4PG	ILS1-J	1360g	20°	30°	12°
Low Pretravel	ILS19-4PG	ILS19-J	1360g	7°	30°	3°

Characteristics: O.F. – Operating Force; P.T. – Pretravel; O.T. – Overtravel; D.T. – Differential Travel

ORDER GUIDE

Description	Catalog Listing	O.F. max.	P.T. max.	O.T. min.	D.T. max.
High Overtravel	1LS-J50	3.43 kg-cm	30°	60°	15°
High Overtravel	1LS-J500	3.43 kg-cm	20°	55°	12°
High Overtravel Low Pretravel	1LS-J550	3.43 kg-cm	10°	62°	5°

HIGH OVERTRAVEL SWITCH WITH ACTUATOR



TOP BALL PLUNGER



ORDER GUIDE

Description	Catalog Listing	O.F. max.	P.T. max.	O.T. min.	D.T. max.
Top Ball Plunger	2LS-J6	2,720 g	1.7mm	4.0mm	0.15mm
Replacement Head	9PA-J66				
Contact Block	2MN11-J				

OPTIONAL INDICATOR

Limit switch cover with indicator module can be ordered separately or as a complete switch by adding "E", "EC" or "E5" to catalog listings (ex. 1LS1-JE).



ORDER GUIDE

Voltage	Catalog Listing	Additional Letter for Complete Switch
100/200 VAC Neon	LS-29PA1	E ex. 1LS1-JE
24 VAC/DC LED	LS-29PA5	E5 ex. 1LS1-JE5
12 to 125 VAC/DC LED	LS-29PAEC	EC ex. 1LS1-JEC

Note: The lamp module on back of cover can be easily rotated to monitor either the N.O. or the N.C. contacts.

International Compact Limit Switches

DOUBLE SEAL TYPE

- Housing unit and switching unit are sealed
- Switching unit plunger has a boot seal, and epoxy-sealed seams



SWITCH UNIT



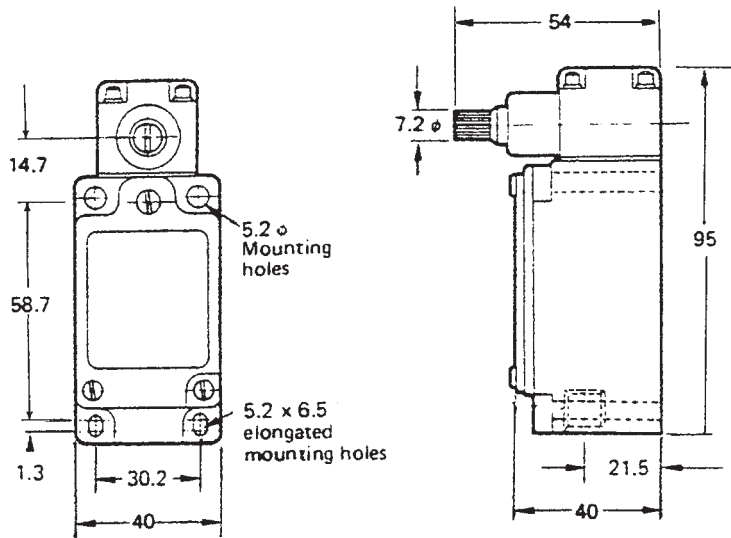
ORDER GUIDE

Available Catalog Listing	
1LS1-JS	Standard roller lever - side rotary
1LS19-JS	Low pretravel side rotary roller lever
1LS-J500S	High overtravel side rotary roller lever
1LS-J550S	High overtravel - low pretravel side rotary
5LS1-JS	Top roller plunger

MOUNTING DIMENSIONS

(For reference only)

Key: $\frac{0,0}{0.00} = \text{mm}$
 $\frac{0,00}{0.00} = \text{inches}$



Conduit Thread

“PG” specifies PG 13,5 thread e.g. 1LS1-4PG

“C” specifies 20 mm thread e.g. 1LS1-4C

(Minimum order quantities may be required for optional conduit threads.)

Limit/Enclosed