

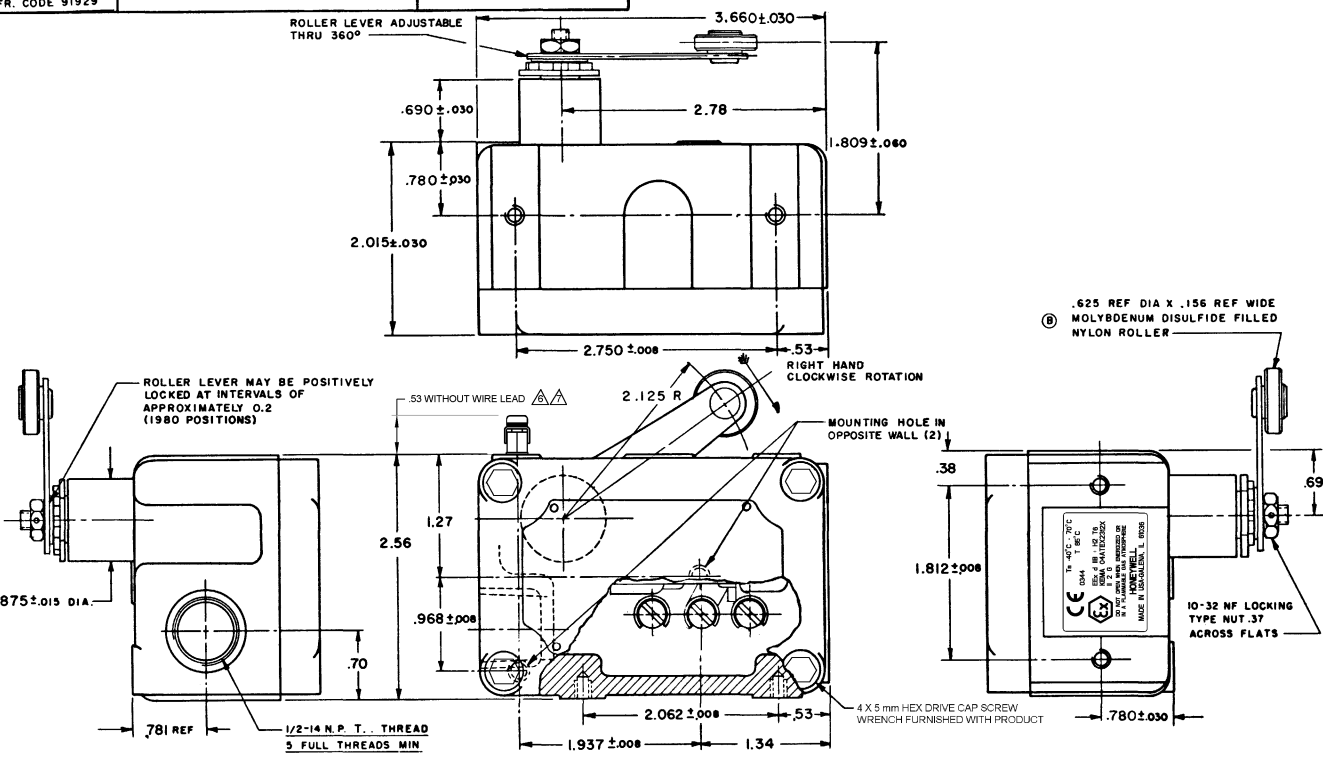
EX-AR87
 DRAWING NUMBER
 12
 27 APR 85

MICRO SWITCH
SWITCH-ENCLOSED
EX-AR87
 CATALOG LISTING
 FED. MFR. CODE 91929

N 0012790
 27 APR 85

ISSUE
 X 2
 X 3
 X 4
 X 5
 X 6
 X 7
 X 8
 X 9
 X 10
 X 11
 X 12

REVISIONS
 A CORR
 B CORR
 C CORR
 D CORR
 E CORR
 F CORR
 G CORR
 H CORR
 I CORR
 J CORR
 K CORR
 L CORR
 M CORR
 N CORR
 O CORR
 P CORR
 Q CORR
 R CORR
 S CORR
 T CORR
 U CORR
 V CORR
 W CORR
 X CORR
 Y CORR
 Z CORR



THIS DRAWING COVERS A PROPRIETARY ITEM AND IS THE PROPERTY OF MICRO SWITCH, A DIVISION OF MINNEAPOLIS-HONEYWELL REGULATOR CO. THIS DRAWING IS NOT TO BE COPIED OR USED WITHOUT THE APPROVAL OF MICRO SWITCH.

CHARACTERISTICS	ELECTRICAL DATA	SCALE FULL
OPERATING FORCE ----- 16 OZ MAX	CONTACT ARRANGEMENT S P D T	DO NOT SCALE PRINT
RELEASE FORCE ----- 3 OZ MIN	BREAK DISTANCE .020 MIN	UNLESS OTHERWISE SPECIFIED
PRETRAVEL ----- .300 MAX	-L96- 15 A-125, 250, OR 480 VAC	DIMENSIONS ARE IN INCHES
DIFFERENTIAL TRAVEL ----- .010 MAX	1/2 A-125 VDC; 1/4 A-250 VDC	TOLERANCES ARE:
DO NOT OVERTRAVEL MORE THAN ----- 90°	1/8 HP-125 VAC; 1/4 HP-250 VAC	ONE PLACE (.03) 2.000
SWITCH-BASIC REPLACEMENT- BZ-2 R-P4		TWO PLACE (.003) 2.018
		THREE PLACE (.000) 2.008
		ANGLE 1
		WEIGHT

- NOTE-**
- 1 - MOUNTING SCREW HOLE, 10-32 NF-2B THREADS X .219 REF DEEP (8)
 - 2 - 8 X-32 NC X .219 REF TERMINAL SCREWS AND CUPWASHERS
 - 3 - EXPLOSION PROOF - UNDERWRITER'S LABORATORY LISTING FOR HAZARDOUS LOCATIONS NEMA 7, CLASS I, GROUPS C AND D, NEMA 9, CLASS II, GROUPS E, F AND G
 - 4 - EUROPEAN HAZARDOUS LOCATIONS DESIGNATION: EEX d IIB + H2 T6 CATAGORY II 2 G
 - 5 - SEAL RATING: NEMA 1
- EXTERNAL GROUND SCREW MAY BE ASSEMBLED TO ANY UNUSED MOUNTING SCREW HOLE
- ASSEMBLY PROVIDED SPLIT LOCKWASHER BETWEEN GROUND LUG AND HOUSING