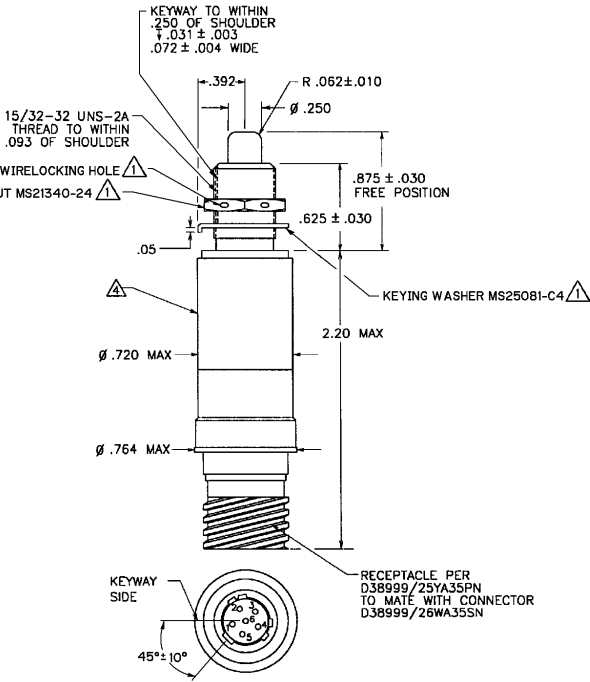
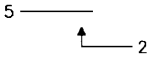


MICRO SWITCH
a Honeywell Division

SWITCH

CATALOG LISTING
ML-1381
CUSTOMER PART NO.
6-0304-1

CIRCUIT DIAGRAM



NOTES

- 1 HARDWARE MAY BE PACKAGED UNASSEMBLED PER MIL-PRF-8805
- 2 CORROSION RESISTANT STEEL ENCLOSURE & PLUNGER
- 3 SWITCH SEALED PER MIL-PRF-8805 SYMBOL 4
- 4 PERMANENTLY MARKED WITH CATALOG LISTING, CIRCUIT DIAGRAM, DATECODE, CUSTOMER PART NUMBER AND CAGE CODE 97415 AND FED. MFG. CODE
- 5 RECEPTACLE SHALL HAVE NUMERICAL PIN DEFINITION PER CIRCUIT DIAGRAM
- 6 BIFURCATED GOLD CONTACT BASICS
- 7 MECHANICAL AND ELECTRICAL LIFE: 35,000 CYCLES
DESIGN LIFE: 70,000 CYCLES
- 8 TEMPERATURE: -65°F TO 243°F WITH TRANSIENTS OF 300°F FOR UP TO 30 MINUTES.
- 9 VIBRATION: MIL-PRF-8805 GRADE 2 (10-2,000 Hz)
- 10 WEIGHT: .16 LBS. MAX (INCLUDING HARDWARE)
- 11 ACCEPTANCE TESTING - COPIES OF INSPECTION/TEST RESULTS AND ACCEPTANCE CERTIFICATION SHALL BE PROVIDED TO D.A.Y. FOR EACH SWITCH ALL DOCUMENTATION SHALL BE TRACEABLE TO SWITCH DATE CODE

ANSI Y14.5M-1982 APPLIES

THIS DRAWING COVERS A PROPRIETARY ITEM AND IS THE PROPERTY OF MICRO SWITCH, A DIVISION OF HONEYWELL. THIS DRAWING IS NOT TO BE COPIED OR USED WITHOUT THE APPROVAL OF MICRO SWITCH.

THIRD ANGLE PROJECTION



CHARACTERISTICS	ELECTRICAL DATA	SCALE
OPERATING FORCE ----- 6-12 LBS	CONTACT ARRANGEMENT	NONE
FULL OVERTRAVEL FORCE ----- 30 LBS MAX	SPNO (I) GOLD	DO NOT SCALE PRINT
RELEASE FORCE ----- 4 LBS MIN	28 VDC	UNLESS OTHERWISE SPECIFIED TOLERANCES ARE
PRETRAVEL ----- .040 MAX	LOAD (AMP)	ONE PLACE (.01) ± .030
DIFFERENTIAL TRAVEL ----- .020 MAX	SEA LEVEL	TWO PLACE (.001) ± .015
OVERTRAVEL ----- .125 MIN	50,000 FT	THREE PLACE (.000) ± .005
	RES	ANGLES
	IND	± 4°
	MOTOR	WEIGHT

CATALOG LISTING
ML-1381
 ISSUE 2
 2 M
 PAGE 1 OF 1
 RELEASE NO. PR-24172
 REPLACES
 CHECK
 REVISIONS
 A 205329
 10 11 08 APR 02
 CHECK
 15 OCT 99
 CHECK
 15 OCT 99
 CHECK
 S A V
 DRAWN
 RASTER