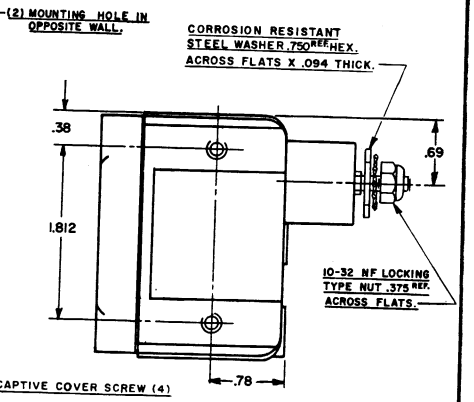
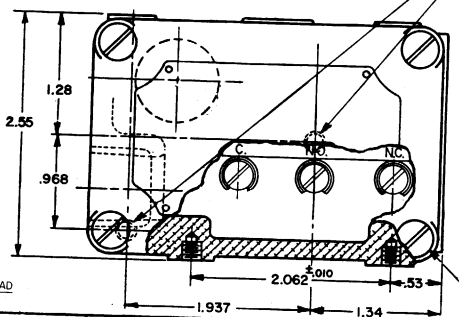
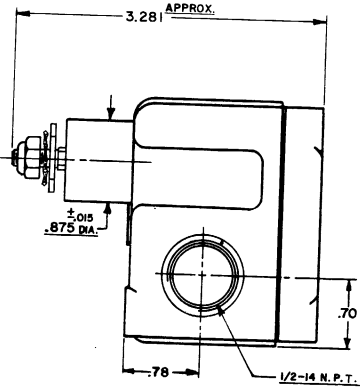
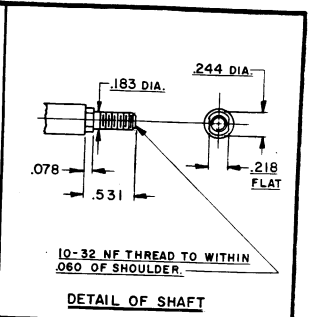
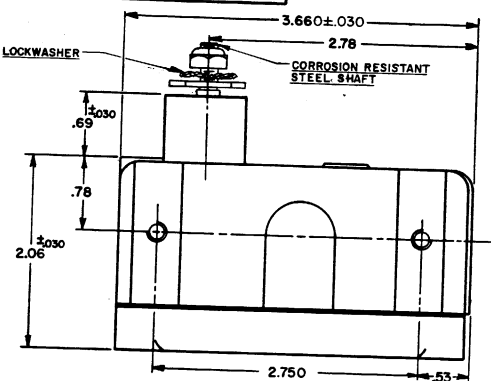
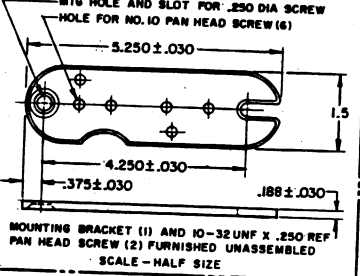


(M) OP-AR20
 ISSUE 6
 DRAWING NUMBER
 OP-AR20
 RELEASE NO.
 A.C.G. 7 SEPT. 55
 REVISIONS
 A E.O. 9822
 22 AUG. 56
 B CO18227
 16 JUL 56
 C CO18608
 10 JUL 56
 D CO1851
 10 DEC 52
 E CO18274
 19 JUN 54
 F CO19678
 11 NOV 66
 G CO26103
 2 APR 55
 H CO25987
 5 NOV 54
 J CO25931
 26 APR 55
 K CO27344
 26 APR 55
 G.C.H. 12 SEPT. 55
 C.M.A. 22 AUG. 55

MICRO SWITCH
 SWITCH - ENCLOSED
 FED. MFR. CODE 91929

CATALOG LISTING
OP-AR20



CHARACTERISTICS

OPERATING FORCE - 125-31.25 OZ. IN. TORQUE
RELEASE FORCE - 6.25 OZ. IN. MIN. TORQUE
PRETRAVEL - 8° MAX.
DIFFERENTIAL TRAVEL - 1/4° MAX.
OVERTRAVEL - DO NOT OVERTRAVEL MORE THAN 90°
SWITCH BASIC REPLACEMENT B2-2R-P4

ELECTRICAL DATA

CONTACT ARRANGEMENT	S. P. D. T.
-L96-	15 A-125, 250, OR 480 VAC 1/2 A-125 VDC; 1/4 A-250 VDC 1/8 HP-125 VAC; 1/4 HP-250 VAC

SCALE FULL

DO NOT SCALE PRINT

UNLESS OTHERWISE SPECIFIED

DIMENSIONS ARE IN INCHES

TOLERANCES ARE:

ONE PLACE	(.00)	2.000
TWO PLACE	(.00)	2.018
THREE PLACE	(.000)	2.008

WEIGHT

- NOTE-
- 1 - (8) MOUNTING SCREW HOLES, 10-32 NF-2B THREADS X .219^{REF} DEEP.
 - 2 - 8-32 NC X .219^{REF} BINDER HEAD TERMINAL SCREWS AND CUPWASHERS.
 - 3 - SEALED CONSTRUCTION PROVIDES SPLASH RESISTANCE.
 - 4 - SWITCH OPERATES ON RIGHT HAND CLOCKWISE ROTATION.

THIS DRAWING COVERS A PROPRIETARY ITEM AND IS THE PROPERTY OF MICRO SWITCH, A DIVISION OF HONEYWELL. THIS DRAWING IS NOT TO BE COPIED OR USED WITHOUT THE APPROVAL OF MICRO SWITCH.