

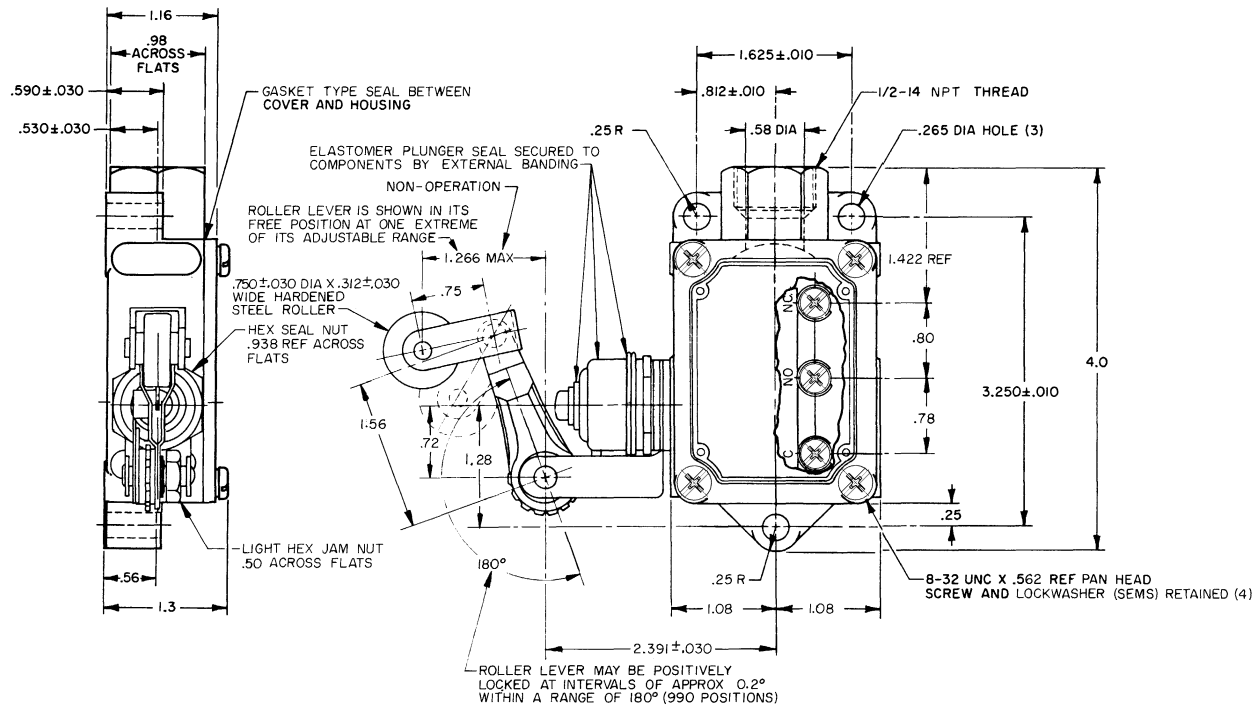
MICRO SWITCH
a Honeywell Division

SWITCH-ENCLOSED

CATALOG LISTING
BAFI-2RN28-LH
(LEFT HAND)

FED. MFG. CODE 91829

CATALOG LISTING
BAFI-2RN28-LH
PAGE 1 OF 1
ISSUE **M**
13
REPLACES
CHECK
REVISIONS
A 17 DEC 74
B 28 FEB 75
C 11 MAY 95
CHECK
DRAWN
CJW 11 MAY 95
CHECK
JJA 25 MAY 95



THIS DRAWING COVERS A PROPRIETARY ITEM AND IS THE PROPERTY OF MICRO SWITCH, A DIVISION OF HONEYWELL. THIS DRAWING IS NOT TO BE COPIED OR USED WITHOUT THE APPROVAL OF MICRO SWITCH.

CHARACTERISTICS	ELECTRICAL DATA
OPERATING FORCE - - - - - 2 LBS MAX	CONTACT ARRANGEMENT S P D T
RELEASE FORCE - - - - - 8 OZ MIN	L23 20A 125, 250 OR 480 VAC
PRETRAVEL - - - - - .219 MAX	10A 125 VAC "L"
DIFFERENTIAL TRAVEL - - - .020 MAX	1HP 125 VAC, 2HP 250 VAC
OVERTRAVEL - - - - - .250 MIN	1/2A 125 VDC, 1/4A 250 VDC
SWITCH-BASIC REPLACEMENT -- BA-2R708-P7	

THIRD ANGLE PROJECTION	
SCALE	FULL
DO NOT SCALE PRINT	
UNLESS OTHERWISE SPECIFIED TOLERANCES ARE	
ONE PLACE	(.01) ± .030
TWO PLACE	(.00) ± .015
THREE PLACE	(.000) ± .005
ANGLES	±
WEIGHT	.670 LB

NOTES
1 - ROLLER LEVER BRACKET ASSEMBLY MAY BE SET IN ANY POSITION AROUND AXIS OF PLUNGER
2 - 8-32 UNC X (.219) BINDER HEAD, COMBINATION, TERMINAL SCREWS AND CUP WASHERS

