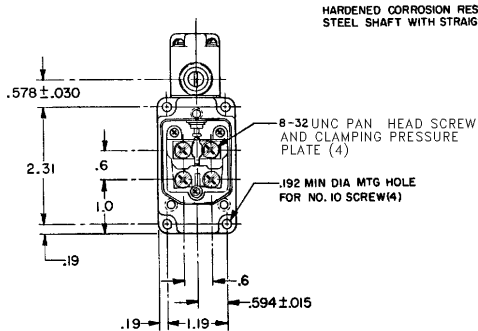
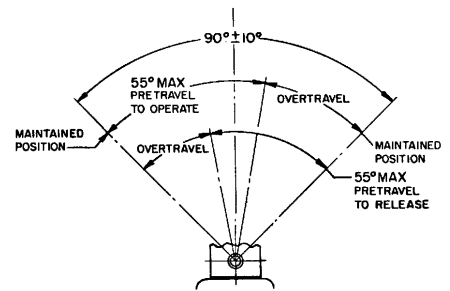
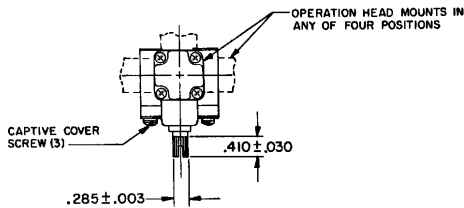
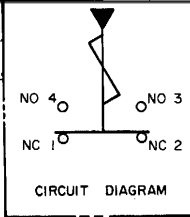


MICRO SWITCH
a Honeywell Division

SWITCH-ENCLOSED

CATALOG LISTING
6LS2-L

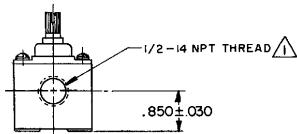
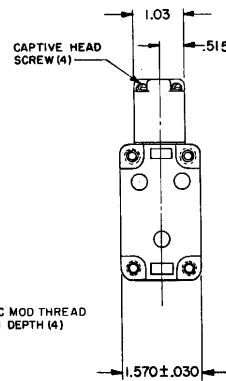
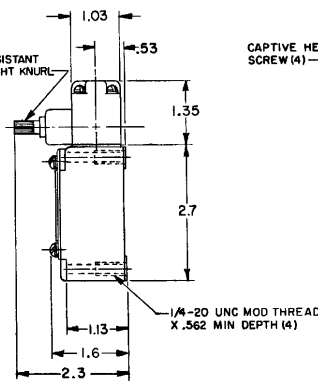
FED. MFG. CODE 91929



HARDENED CORROSION RESISTANT STEEL SHAFT WITH STRAIGHT KNURL

8-32 UNC PAN HEAD SCREW AND CLAMPING PRESSURE PLATE (4)

.192 MIN DIA MTG HOLE FOR NO. 10 SCREW (4)



THIS DRAWING COVERS A PROPRIETARY ITEM AND IS THE PROPERTY OF MICRO SWITCH, A DIVISION OF HONEYWELL. THIS DRAWING IS NOT TO BE COPIED OR USED WITHOUT THE APPROVAL OF MICRO SWITCH.

THIRD ANGLE PROJECTION



SCALE 1/2 TO 1

DO NOT SCALE PRINT

UNLESS OTHERWISE SPECIFIED TOLERANCES ARE

ONE PLACE (.0) ± .030

TWO PLACE (.00) ± .015

THREE PLACE (.000) ± .005

ANGLES ±

WEIGHT

NOTE

⚠ SEAL FURNISHED BY USER

CHARACTERISTICS

OPERATING FORCE----- 3 IN LB MAX

ELECTRICAL DATA

CONTACT ARRANGEMENT
(SEE CIRCUIT DIAGRAM)

L126 10A 125, 250 OR 480 VAC
1/3HP 125 VAC, 3/4HP 250 VAC
0.8A 125 VDC, 0.4A 250 VDC

SWITCH-BASIC REPLACEMENT ---2MH1-L



CATALOG LISTING 6LS2-L
ISSUE 8
REVISIONS
A 1076907
GJW 14 APR 95
CHECK
8 MAY 95
JAF
13 APR 95
GJW
FORMTEK