



Intel[®] 82371EB (PIIX4E)

Specification Update

December 1999

Notice: The Intel[®] 82371EB (PIIX4E) may contain design defects or errors known as errata which may cause the product to deviate from published specifications. Current characterized errata are documented in this Specification Update.

Order Number: ~~290635-008~~

Information in this document is provided in connection with Intel products. No license, express or implied, by estoppel or otherwise, to any intellectual property rights is granted by this document. Except as provided in Intel's Terms and Conditions of Sale for such products, Intel assumes no liability whatsoever, and Intel disclaims any express or implied warranty, relating to sale and/or use of Intel products including liability or warranties relating to fitness for a particular purpose, merchantability, or infringement of any patent, copyright or other intellectual property right. Intel products are not intended for use in medical, life saving, or life sustaining applications.

Intel may make changes to specifications and product descriptions at any time, without notice.

Designers must not rely on the absence or characteristics of any features or instructions marked "reserved" or "undefined." Intel reserves these for future definition and shall have no responsibility whatsoever for conflicts or incompatibilities arising from future changes to them.

The Intel® 82371EB (PIIX4E) may contain design defects or errors known as errata which may cause the product to deviate from published specifications. Current characterized errata are available on request.

Contact your local Intel sales office or your distributor to obtain the latest specifications and before placing your product order.

Copies of documents which have an ordering number and are referenced in this document, or other Intel literature, may be obtained by calling 1-800-548-4725 or by visiting Intel's website at <http://www.intel.com>.

*Third-party brands and names are the property of their respective owners.

Copyright © Intel Corporation 1998, 1999

Contents

Revision History	4
Preface	5
Specification Changes	11
Errata	17
Specification Clarifications	28
Documentation Changes	41

Revision History

Date of Revision	Version	Description
April 1998	-001	Initial Release
June 1998	-002	Added Errata #16 and Specification Clarification #20
July 1998	-003	Added Specification Change #9, Specification Clarifications #21-24, and Documentation Change #11
August 1998	-004	Added Errata #17
October 1998	-005	Removed 82371AB Markings and Added ES Marks in Component Marking Information Table. Added Specification Changes #10 - #13.
February 1999	-006	Added Specification Changes #14, Errata #18 and #19.
April 1999	-007	Added Specification Change #15 and #16, Errata #20 and #21.
January 2000	-008	Added Specification Change # 17 and #18, Specification Clarification #25-27, Documentation Change #12

Preface

This document is an update to the specifications contained in the Intel® 82371AB PIIX4 Datasheet (290562), and the Datasheet Addendum (273135), and contains issues affecting all designs using the Intel 82371EB (PIIX4E).

This document is intended for hardware system manufacturers and software developers of applications, operating systems, or tools. It contains Specification Changes, Errata, Specification Clarifications, and Documentation Changes.

Nomenclature

Specification Changes are modifications to the current published specifications. These changes will be incorporated in the next release of the specifications.

Errata are design defects or errors. Errata may cause the Intel® 82371EB (PIIX4E), behavior to deviate from published specifications. Hardware and software designed to be used with any given stepping must assume that all errata documented for that stepping are present on all devices.

Specification Clarifications describe a specification in greater detail or further highlight a specification's impact to a complex design situation. These clarifications will be incorporated in the next release of the specifications.

Documentation Changes include typos, errors, or omissions from the current published specifications. These changes will be incorporated in the next release of the specifications.

Component Identification via Programming Interface

The Intel® 82371EB (PIIX4E) stepping can be identified by the following register contents:

Stepping	Vendor ID ¹	Device ID ²	Revision Number ³
PII4 A-0, A-1, B-0	8086h	7110h	See Documentation Changes section
PIIX4E A-0	8086h	7110h	See Documentation Changes section

NOTES:

1. The Vendor ID corresponds to bits 15-0 of the Vendor ID Register located at offset 00-01h in the PCI function 0 configuration space.
2. The Device ID corresponds to bits 15-0 of the Device ID Register located at offset 02-03h in the PCI function 0 configuration space.
3. The Revision Number correspond to bits 7-0 of the Revision ID Register located at offset 08h in the PCI function 0 configuration space.

General Information

This section covers the Intel® 82371EB PIIX4E.

Intel® 82371EB (PIIX4E) Component Marking Information

Stepping	S-Spec	Top Marking	Notes
PIIX4E A-0		FW82371EB Q591ES	Engineering Sample (.6u process)
PIIX4E A-0		FW82371EB Q592ES	Engineering Sample (.6u process)
PIIX4E A-0		FW82371EB Q593ES	Engineering Sample (.6u process)
PIIX4E A-0		FW82371EB Q594ES	Engineering Sample (.6u process)
PIIX4E A-0		FW82371EB Q597ES	Engineering Sample (.6u process)
PIIX4E A-0		FW82371EB Q598ES	Engineering Sample (.6u process)
PIIX4E A-0		FW82371EB Q599ES	Engineering Sample (.6u process)
PIIX4E A-0		FW82371EB Q600ES	Engineering Sample (.6u process)
PIIX4E A-0	SL2MY	FW82371EB SL2MY	Production (.6u process)
PIIX4E A-0	SL2T3	FW82371EB SL2MY	Production – Remnant lots (.6u process)
PIIX4E A-0		FW82371EB Q652ES	Engineering Sample (.35u process)
PIIX4E A-0		FW82371EB Q653ES	Engineering Sample (.35u process)
PIIX4E A-0		FW82371EB Q657ES	Engineering Sample (.35u process)
PIIX4E A-0	SL37M	FW82371EB SL37M	Production (.35u process)
PIIX4E A-0	SL37U	FW82371EB SL37M	Production – Remnant lots (.35u process)

Summary Table of Changes

The following table indicates the Specification Changes, Errata, Specification Clarifications, or Documentation Changes which apply to the listed Intel® 82371EB (PIIX4E) steppings. Intel intends to fix some of the errata in a future stepping of the component, and to account for the other outstanding issues through documentation or Specification Changes as noted. This table uses the following notations:

Codes Used in Summary Table

- X: Erratum, Specification Change or Clarification that applies to this stepping.
- Doc: Document change or update that will be implemented.
- Fix: This erratum is intended to be fixed in a future stepping of the component.
- Fixed: This erratum has been previously fixed.
- NoFix: There are no plans to fix this erratum.
- (No mark) or (Blank Box): This erratum is fixed in listed stepping or specification change does not apply to listed stepping.

Shaded: This item is either new or modified from the previous version of the document.

NO.	PIIX4 A0	PIIX4 A1	PIIX4 B0	PIIX4E A0	PLANS	SPECIFICATION CHANGES
1	X	X	X	X	DOC	INTPN Register Not Implemented
2				X	DOC	Manual Throttle Duty Cycle
3				X	DOC	Enabling and Disabling Manual Throttling
4				X	DOC	RI# and USB Generate an SCI
5				X	DOC	Thermal Override Allows Break Events
6				X	DOC	Thermal Break Enable
7	X	X	X	X	DOC	Aliased NMI Enable bit
8	X	X	X	X	DOC	IRQ9OUT# is active level HI
9	X	X	X	X	DOC	CLKRUN# Re-Assertion
10	X	X	X	X	DOC	CNTB Granularity
11	X	X	X	X	DOC	CPU Stop Clock Exit Behavior
12	X	X	X	X	DOC	Manufacturing ID at F8h May Vary
13	X	X	X	X	DOC	IDE Data Hold (t115b) Change
14	X	X	X	X	DOC	VCC Specification Change
15	X	X	X	X	DOC	INTLN Register Not Implemented
16	X	X	X	X	DOC	USB Host Controller Supports USB 1.1

NO.	PIIX4 A0	PIIX4 A1	PIIX4 B0	PIIX4E A0	PLANS	SPECIFICATION CHANGES
17	X	X	X	X	DOC	VOL/IOL For SMI# Changes to 10mA @ 450mV
18	X	X	X	X	DOC	DC Spec Change for all CMOS I/F Signals

NO.	PIIX4 A0	PIIX4 A1	PIIX4 B0	PIIX4E A0	PLANS	ERRATA
1	X	X	X	X	NoFix	Burst Events may cause LVL2 or LVL3 register reads to be missed
2	X	X	X	X	NoFix	PCI accesses to External PCI-based IDE Devices will not cause Power Management Events
3	X	X	X	X	NoFix	General Purpose Outputs default to incorrect values
4			X	X	NoFix	USB Bandwidth Reclamation Errata
5	X	X	X		Fix	STPCLK# Deassertion Time
6	X	X	X	X	NoFix	Device Trap
7	X	X	X	X	NoFix	USB Rise / Fall Time Matching
8	X	X	X	X	NoFix	System Resume on USB OC# Assertion
9	X	X	X		Fix	PCI Arbiter Advances when PC/PCI ISA Master Gets Retried by the Host Controller
10	X	X	X	X	NoFix	Bus Master IDE Timeout
11	X	X	X	X	NoFix	USB-PCI Latency
12	X	X	X	X	NoFix	ISA Verify followed by PCPCI DMA
13	X	X	X	X	NoFix	Device Monitor 9 and access to IO locations 62/66h
14	X	X	X	X	NoFix	USB Resume from Selective Suspend
15	X	X	X	X	NoFix	IRQ9OUT# is active HI
16	X	X	X	X	NoFix	IDE Prefetch
17	X	X	X	X	NoFix	SMI# Timing
18	X	X	X	X	NoFix	C3 Power State/BMIDE & Type-F DMA Livelock Errata
19	X	X	X	X	NoFix	USB Dribble Errata
20	X	X	X	X	NoFix	ACPI Timer Errata
21	X	X	X	X	NoFix	Daylight Savings Time Errata

NO.	PIIX4 A0	PIIX4 A1	PIIX4 B0	PIIX4E A0	PLANS	SPECIFICATION CLARIFICATIONS
1	X	X	X	X	DOC	SUSA#, SUSB#, and SUSC# State Transition During Reset
2	X	X	X	X	DOC	CONFIG[1] Definition
3	X	X	X	X	DOC	IRQ8# Routing
4	X	X	X	X	DOC	IRQ9 Routing
5	X	X	X	X	DOC	SERIRQ Sample Phase
6	X	X	X	X	DOC	RI# Pulse Width Requirement
7	X	X	X	X	DOC	Diode Requirement for Vref Sequencing Circuit
8	X	X	X	X	DOC	SMI# Generation from APMC Write
9	X	X	X	X	DOC	Power Button Override
10	X	X	X	X	DOC	RTC Status Bit Clarification
11	X	X	X	X	DOC	SCI_EN Bit Clarification
12	X	X	X	X	DOC	Thermal Override Initiates Throttling Even in Clock Control State
13	X	X	X	X	DOC	No Disabling Break Events During A Burst
14	X	X	X	X	DOC	Unrouting a PIRQ
15	X	X	X	X	DOC	IDE Device Detection
16	X	X	X	X	DOC	Physical Region Descriptor Alignment
17	X	X	X	X	DOC	RTC Index Register Read
18	X	X	X	X	DOC	GPI[1] Minimum Assertion
19	X	X	X	X	DOC	RSMRST# Behavior
20	X	X	X	X	DOC	SMBus Busy Bit Behavior
21	X	X	X	X	DOC	GPI14 for Device 5 Can Cause IO Trap SMI#
22	X	X	X	X	DOC	XDIR# Assertion
23	X	X	X	X	DOC	Correction to USB Bandwidth Reclamation Errata Workaround
24	X	X	X	X	DOC	Do Not Use 4-Clock Serial IRQ Start Frame Width When CLKRUN# is Enabled
25	X	X	X	X	DOC	SLP# Connectivity in Multi-processor Systems
26				X	DOC	Interrupt Deassertion (.35u process device only)
27	X	X	X	X	DOC	Serial IRQ Enable Clarification

NO.	PIIX4 A0	PIIX4 A1	PIIX4 B0	PIIX4E A0	PLANS	DOCUMENTATION CHANGES
1	X	X	X	X		PCI Revision ID Register Values
2	X	X	X	X	DOC	Interval Timer for IRQ0
3	X	X	X	X	DOC	Bus Master Activity for Burst Events
4	X	X	X	X	DOC	IRQ9 and IRQ9OUT# Pin Locations
5	X	X	X	X	DOC	PIO0 Timing Values
6	X	X	X	X		Table 50, STD to On is Max Value
7	X	X	X	X		Fast_A20 Description
8	X	X	X	X	DOC	Sleep and Deep Sleep for Pentium®II processors only
9	X	X	X	X	DOC	SMI# Minimum Deassertion Time
10	X	X	X	X	DOC	Datasheet t37 Correction
11	X	X	X	X	DOC	Corrections to Simplified Block Diagram, Table 55, and Figure 34
12	X	X	X	X	DOC	INIT Assertion Correction

Specification Changes

1. INTPN Register Not Implemented

The PIIX4 Datasheet section specified that the INTPN register indicates the PCI interrupt pin PIRQA# is used for routing Serial Interrupts. However, Serial Interrupts are hardwired to IRQ9. This register is not implemented.

This change applies to all steppings of the PIIX4 and PIIX4E and will be incorporated into the next revision of the PIIX4 datasheet.

7.1.9 INTPN—INTERRUPT PIN (FUNCTION 3)

Address Offset: 3Dh

Default Value: 00h

Attribute: Read only

This register indicates that PCI interrupt pin PIRQA# is used for the Power Management module.

Bit	Description
7:0	Not Implemented

2. Manual Throttle Duty Cycle

The throttle duty cycle bits (THTL_DTY) in the Processor Control Register (PCNTRL) are being changed to match the ACPI specification.

This change applies to all steppings of the PIIX4E and will be incorporated into the next revision of the PIIX4 datasheet.

7.2.7 PCNTRL —PROCESSOR CONTROL REGISTER (IO)

I/O Address: Base + (10h)

Default Value: 00h

Attribute Read/Write

Bit	Description																				
3:1	<p>Throttle Duty Programming Bits (THTL_DTY)—R/W. Selects the duty cycle of the STPCLK# signal when the system is in the system throttling mode. The duty cycle indicates the percentage of time the STPCLK# signal is asserted while in the throttle mode. The field is decoded as follows:</p> <table border="1"> <thead> <tr> <th>Bits[2:0]</th> <th>Mode</th> <th>Bits[2:0]</th> <th>Mode</th> </tr> </thead> <tbody> <tr> <td>000</td> <td>Reserved</td> <td>100</td> <td>50%</td> </tr> <tr> <td>001</td> <td>87.5%</td> <td>101</td> <td>37.5%</td> </tr> <tr> <td>010</td> <td>75%</td> <td>110</td> <td>25%</td> </tr> <tr> <td>011</td> <td>62.5%</td> <td>111</td> <td>12.5%</td> </tr> </tbody> </table>	Bits[2:0]	Mode	Bits[2:0]	Mode	000	Reserved	100	50%	001	87.5%	101	37.5%	010	75%	110	25%	011	62.5%	111	12.5%
Bits[2:0]	Mode	Bits[2:0]	Mode																		
000	Reserved	100	50%																		
001	87.5%	101	37.5%																		
010	75%	110	25%																		
011	62.5%	111	12.5%																		

3. Enabling and Disabling Manual Throttling

For the PIIX4, the manual throttling state is initiated by setting CC_EN, THT_EN and reading the LVL2 register. A break event will disable throttling and another LVL2 read is required to restart throttling. On the PIIX4E, break events will not disable manual throttling. Manual throttling mode begins when CC_EN and THT_EN are set. Manual throttling mode is disabled when either CC_EN or THT_EN is disabled.

This change applies to all steppings of the PIIX4E and will be incorporated into the next version of the PIIX4 datasheet.

11.2.1 HOST CLOCK CONTROL MECHANISMS

Table 1. Clock Programming modes

Clock Control Mode	Register Read	CC_EN	STP_CLK_EN	SLEEP_EN	THT_EN
Stop Grant/Quick Start without Throttle	LVL 2	1	X	X	0
Stop Grant/Quick Start with Throttle	None Required	1	X	X	1
Stop Grant/Quick Start without Throttle, Throttling begins upon Stop Break Event	LVL 2	1	X	X	1

System Throttle Control: If the system has been placed into the Stop Grant or Quick Start states and [THT_EN] bit is set, PIIX4 toggles the STPCLK# signal and ZZ signal (If [ZZ_EN] set) with a period of 244 ns (approximately 8 32 kHz clock periods) and a programmable duty cycle. This system toggles between full-speed operation and the Stop Grant or Quick Start state. The duty cycle can be set in 12.5% increments by programming the [THTL_DTY] bits in the Processor Control (P_CNTRL) register. This emulates a reduced frequency Host clock, resulting in associated power savings.

Stop Break and Burst Execution: Once the hardware has been placed into a clock control state, it can be restored to full operation by system hardware or software. Software can restore the system to full operation by clearing the [CC_EN] bit. Hardware events can be enabled to return the system to a non-clock controlled condition. If the [BRST_EN] bit is reset, these events are called Stop Break Events. Alternatively, if the [BRST_EN] bit is set, these events are called Burst Events.

Stop Break events completely return the system to non-clock controlled state. To restore clock control, software must set the desired clock control configuration and again perform a read from LVL2 or LVL3 registers to initiate the control.

Note that Stop Break events do not halt Stop Grant/Quick Start with Throttle. The PIIX4E will continue to throttle STPCLK#. Also note that if the system does a LVL2 read with CC_EN and THT_EN set, the PIIX4E will enter the Stop Grant/Quick Start state without throttle. Upon a break event, the PIIX4E will re-enter the Stop Grant/Quick Start state with Throttle.

4. RI# and USB Generate an SCI

The PIIX4E does not have the ability to generate an SCI upon the setting of RI_STS or USB_STS. The PIIX4E can generate an SCI upon the setting of RI_STS or USB_STS.

The SCI_EN bit (PM base + 04h bit 0) and the RI_EN (PM + 0Eh bit 10) must be set to enable the SCI generation from RI assertion. The SCI_EN bit and the USB_EN bit (PM base + 0Eh bit 8) must be set in order to enable SCI generation from USB interrupts.

This change applies to all steppings of the PIIX4E and will be incorporated into the next revision of the PIIX4 datasheet.

7.2.6 GPEN—GENERAL PURPOSE ENABLE REGISTER (IO)

I/O Address: Base + (0Eh)

Default Value: 00h

Attribute: Read/Write

Bit	Description
15:12	Reserved.
11	Lid Enable(LID_EN)—R/W. 1=Enable the generation of an SMI#, SCI, or resume event upon the setting of the LID_STS bit. 0=Disable
10	Ring Enable(RI_EN)—R/W. 1=Enable the generation of an SCI or resume event upon the setting of the RI_STS bit. 0=Disable
9	GPI Enable(GPI_EN)—R/W. 1= Enable the generation of an SMI#, SCI, or resume event upon the setting of the GPI_STS bit. 0=Disable
8	USB Enable (USB_EN)—R/W. 1=Enable the generation of an SCI or resume event upon the setting of the USB_STS bit. 0=Disable.
7:1	Reserved.
0	Thermal Enable(THRM_EN)—R/W. 1=Enable the generation of tan SMI# or SCI upon the setting of the THRM_STS bit. 0=Disable

5. Thermal Override Allows Break Events

If THRM# is asserted for more than 2 seconds while the PIIX4 is in a Stop Grant, Stop Clock, Sleep, or Deep Sleep state, the PIIX4 will defer all break events until the THRM# signal goes inactive. The PIIX4E will not defer break events based on the state of the THRM# signal.

This change applies to all steppings of the PIIX4E and will be incorporated into the next revision of the PIIX4 datasheet.

6. Thermal Break Enable

If THRM# is asserted for more than 2 seconds while the PIIX4 is in a Stop Grant state, the PIIX4 will enter the thermal override state and begin throttling STPCLK# (see Specification Clarification #13). Once THRM# is deasserted the PIIX4 will return to the previous clock control state. If break events are disabled during the thermal override period the PIIX4 will not be able to break out. Thermal break enable offers a break event based on THRM# getting deasserted after Throttling from the thermal override.

This change applies to all steppings of the PIIX4E and will be incorporated into the next revision of the PIIX4 datasheet.

7.2.12 GLBEN—GLOBAL ENABLE REGISTER (IO)

I/O Address: Base + (20h)

Default Value: 00h

Attribute: Read/Write

Bit	Description
2	Thermal Break Enable (THRM_BK_EN) – R/W. 1=Generate a break event after THRM# deassertion halts thermal throttling. 0=Disable

7. Aliased NMI Enable bit

The PIIX4 Datasheet, section 4.2.5.3 Real Time Clock Extended Index Register (IO), bit 7 description changes from Reserved to Aliased NMI Enable. This bit must always reflect the state of the NMI Enable bit, NMIEN[7] in IO space 70h.

8. IRQOUT# is Active Level HI

The PIIX4 Datasheet, and Datasheet Addendum, in several places identifies pin F3 (IRQ9OUT#/GP029) as IRQ9OUT being active level LO. When IRQ9OUT functionality is selected, the IRQ9OUT is active level HI, not active level LO. The name of this pin is changed to IRQ9OUT/Gpo29.

9. CLKRUN# Re-Assertion

The PIIX4 Datasheet on page 210, section 11.2.3, states if no other device in the system denies the request to stop before the 5th PCI clock, then the PIIX4 asserts the PCI_STP#. Any device must deny the request to stop before the 4th PCI clock.

10. CNTB Granularity

The PIIX4 Datasheet, section 7.1.12, defines the Count B (Function 3) Register functionality. CNTB[5] currently indicates that when this bit is set that the fast burst timer granularity is 1uS. This is incorrect, the granularity, when CNTB[5] is set is 8uS.

This change applies to all steppings of the PIIX4 and will be incorporated into the next revision of the PIIX4 datasheet.

7.1.12 CNTB—Count b (FUNCTION 3)

Address Offset: 48-4Bh

Default Value: 00h

Attribute: Read/Write

Bit	Description
5	Processor PLL Lock Resolution (CPU_SEL) - R/W. Selects the clock resolution used for the fast burst timer when it is used to count the processor's PLL lock time. 0= 1mS granularity. 1= 8uS granularity.

11. CPU Stop Clock Exit Behavior

The PIIX4 Datasheet, section 11.2.2, page 209, describes the behavior when the processor is leaving the STOP CLOCK STATE. The first sentence in the third and fourth bullets are incorrect.

The phrase “PIIX4 waits for the processor PLL to start and lock (about 1mS + 32kHz period) then negates the SUS_STAT1# signal {4}.” Is inaccurate. This sentence will be replaced by “PIIX4 waits for the processor PLL to start and lock (about CPU_LCK time + 32 kHz period) then negates the SUS_STAT1# signal {4}.”

The sentence “PIIX4 waits up to 2-32kHz periods and then negates the STPCLK# signal {5}.” Is inaccurate. This sentence will be replaced by “PIIX4 waits 2-3 32kHz periods (if SLEEP_EN=0), or 3-5 32kHz periods (if SLEEP_EN=1) and then negates the STPCLK# signal {5}.”

This change applies to all steppings of the PIIX4 and will be incorporated into the next revision of the PIIX4 datasheet.

12. Manufacturing ID at 0F8h (all Functions) May Vary

A manufacturing ID field (0F8h) of PIIX4E functions 0-3 may return a value of 28h or 30h. This register is a RESERVED REGISTER and should not be accessed.

This change applies to all steppings of the PIIX4E and will be incorporated into the next revision of the PIIX4 datasheet.

13. IDE Data Hold (t115b) Change

The 82371AB (PIIX4) PCI ISA IDE Xcelerator Timing Specification, in Table 8 (PCI BUS IDE Timings) defines t115b as an 8nS min specification. This specification is changed to 7nS min to meet ATA Specification data hold requirements.

14. VCC Specification Change

The 82371AB (PIIX4) PCI ISA IDE Xcelerator Timing Specifications Document identifies the VCC range as 3.3v +/- .3V. This specification is changed to 3.3V +/- 5% for both the PIIX4 and the PIIX4E.

15. INTLN Register Not Implemented

The PIIX4 Datasheet specified that the INTLN register contains interrupt information concerning the power management module. However, this register is not implemented and is RESERVED.

This change applies to all steppings of the PIIX4 and PIIX4E and will be incorporated into the next revision of the datasheets.

16. USB Host Controller Supports USB 1.1

The PIIX4 Datasheet specifies that the USB Host Controller is USB supports the USB Revision 1.0 Specification. The USB Host Controller in the PIIX4 and PIIX4E is USB Revision 1.1 compliant.

This change applies to all steppings of the PIIX4 and PIIX4E and will be incorporated into the next revision of the datasheet.

17. VOL/IOL For SMI# Changes to 10mA @ 450mV

The DC characteristics for SMI#, as specified in the 82371AB (PIIX4) PCI ISA IDE Xcelerator Timing Specification Datasheet Addendum, is changed from 7mA @ 400mV to 10mA @ 450mV to accommodate stronger external pull-up resistors.

18. DC Spec Change for all CPU CMOS I/F Signals to 9.7mA @450mV

The DC characteristics for all CPU CMOS I/F Signals, as specified in the 82371AB (PIIX4) PCI ISA IDE Xcelerator Timing Specification Datasheet Addendum, is now changed to 9.7mA @ 450mV to accommodate stronger external pull-up resistors. This applies to A20M#, IGNNE#, INIT#, INTR, NMI, SLP#, STPCLK#, CPURST, and SMI#. This change supercedes the Specification Change #17 (above) for SMI#.

Errata

1. Burst Events May Cause LVL2 or LVL3 Register Reads to be Missed

Problem: Burst events that occur after Burst Enable bit (BST_EN) has been set and before the Processor Level 2 (LVL2) or Processor Level 3 (LVL3) register read may cause the LVL2 or LVL3 read to be missed.

Implication: When the above conditions occur, the system will not transition into the Level 2 or Level 3 clock control condition as intended but will remain at full speed

Workaround: Software must ensure that no external burst events are active when placing the system into a LVL2 or LVL3 state. To ensure this, prior to LVL2 or Software must ensure that no external burst events are active when placing the system into a LVL2 or LVL3 state. To ensure this, prior to LVL2 or LVL3 register read, only the Device 3 idle timer should be enabled as a burst event. The device 3 idle timer is then enabled with all reload events disabled. The LVL2 or LVL3 register read is performed placing the system into a LVL2 or LVL3 clock control condition. The Device 3 idle timer will then generate a burst event upon expiration. During this first burst, the desired burst events are then enabled. The system then functions as expected.

Status: This will not be fixed in PIIX4. This was incorporated into the PIIX4 datasheet as a change to the specification.

2. PCI accesses to External PCI-based IDE Devices will not cause Power Management Events

Problem: PCI accesses to external IDE devices on the PCI bus do not generate power management events (Idle timer reloads, global standby timer reloads, burst timer reloads, I/O traps).

Implication: Power management of external PCI-based IDE devices must use other means to monitor the activity of those devices.

Workaround: System BIOS should use the following methods to monitor external PCI-based IDE devices:

1. If there is a need to monitor accesses to the IDE controller to keep the global standby timer from expiring, then the IRQs should be enabled (GRLD_EN_IRQ) as a reload event for the global standby timer.
2. If there is a need to monitor an external IDE controller for idleness, use the following algorithm:
 - a. Disable the external IDE controller. Set the PIIX4 to trap on the IDE access and enable the internal IDE controller.
 - b. When the SMI is generated, the idle timer can be started, the internal IDE controller disabled, and the instruction redone to the external IDE controller. The IDE device is then assumed to be active during idle timer count down.
 - c. When the idle timer times out, an SMI is generated and the PIIX4 should again be set to trap, the external IDE device disabled, and the idle timer started.
 - d. If the idle timer times out before the trap occurs, then the external IDE controller is idle and can be put into a lower power mode. The PIIX4 is then set up to trap as in 3. below.

- e. If the trap occurs first, the IDE device is not idle. The BIOS then returns to step b. above
3. If there is a need to perform I/O trapping on an external IDE controller, set the PIIX4 to trap on the IDE access and enable the PIIX4 internal IDE controller. When the SMI is generated, the internal IDE controller can be disabled, the external controller enabled, and the I/O cycle restarted.

Status: This will not be fixed in PIIX4. This was incorporated into the PIIX4 Datasheet as a change to the specification.

3. General Purpose Outputs default to Incorrect Values

Problem: The General Purpose Output register (Power Management Base + 34h,35h,36h,37h) incorrectly defaults to 7FFFBFFFh instead of 00000000h.

Register Bits (GPO #)	Actual Default Value	Comments
31	0	No GPO[31]
30:15	1	
14	0	
13:0	1	

Implication: Systems designs which depend on GPO value at reset or depend on default values of 0h will not work correctly.

Workaround: System designers should be aware of the new default values. For dedicated GPOs or multiplexed GPOs which default to GPO, and which require a specific value at reset, inverters may need to added or removed from the system design. For GPOs which are multiplexed with other signals but which default to a non-GPO signal, the BIOS must ensure that the proper value is written into the GPO register prior to enabling the signal as a GPO.

Status: This will not be fixed in PIIX4. This was incorporated into the PIIX4 Datasheet as a change to the specification.

4. USB Bandwidth Reclamation Errata

Problem: This errata affects data transfers in conjunction with a UHCI driver utilizing bandwidth reclamation. In a data structure which implements bandwidth reclamation, when all the queue heads have their terminate bit set (empty QH's), the USB subsystem will be unable to read a new frame pointer and will continuously loop through the bandwidth reclamation queue heads. The effect of the errata is that the USB subsystem will continue to send out Start Of Frame packets but transfer no data. On the PCI bus the PIIX4 will continuously read the queue heads within the bandwidth reclamation loop. For additional information on PIIX4 host controller operation refer to the Universal Host Controller Interface (UHCI) Design Guide (order number 297650).

Implication: The USB host controller stops transferring data on the USB bus. The non-USB functions in the system will continue to operate normally.

Workaround: When using bandwidth reclamation, the UHCI driver should insert a pseudo queue head with a pseudo transfer descriptor within the bandwidth reclamation loop. The PIIX4 will fetch this queue head and transfer descriptor on every frame, but will not transfer any data and will never be terminated. The following bits must be properly set to implement the workaround:

TD LINK POINTER (DWORD 0: 00-03h)

The Link Pointer (LP=bits [31:4]) must be set to point to itself.

The Depth/Breadth Select bit (Vf=bit 2) must be set to 0 indicating that the PIIX4 should execute breadth first.

The QH/TD Select (Q=bit 1) must be set to 0 indicating it is a TD.

The Terminate bit (T=bit 0) must be set to 0 indicating that the link pointer field is valid.

TD CONTROL AND STATUS (DWORD 1: 04-07h)

The Active status bit (bit 23) must be left unset at 0 indicating that the PIIX4 should not execute this TD.

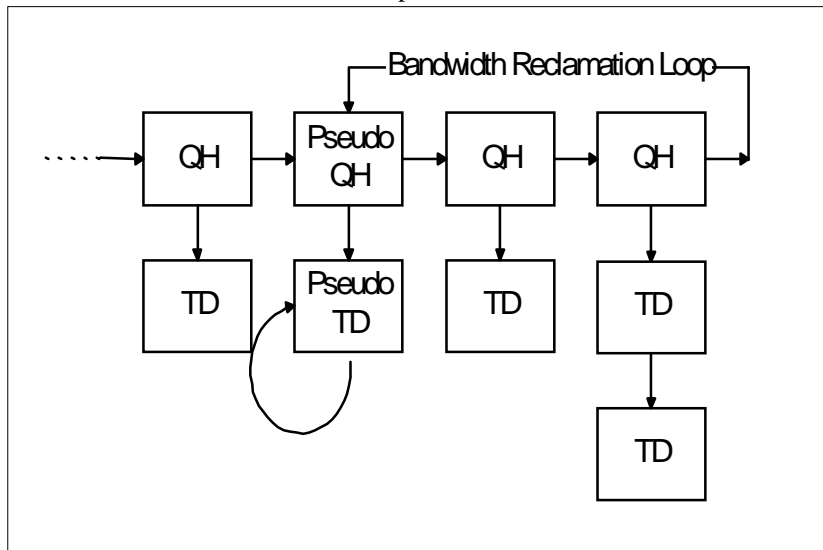
QUEUE HEAD LINK POINTER (DWORD 0: 00-03h)

The Queue Head Link Pointer (QHLP=bits [31:4]) must be set to point to the pseudo TD.

The QH/TD Select (Q=bit 1) must be set to 1 indicating it is a QH.

The Terminate bit (T=bit 0) must be set to 0 indicating that the link pointer field points to a valid TD.

- Status:**
- This errata will not be fixed in PIIX4.
 - This errata will be incorporated into the next revision of the PIIX4 Datasheet as a specification change.
 - Intel is working with Microsoft* to incorporate the workaround into their UHCI driver.
 - Microsoft* will make this workaround available in the Beta 1 release of Memphis.
 - Microsoft* will provide a fix to the OSR2.1 (Detroit) release. OEMs/IHVs should contact Microsoft* for the fix distribution plans.



5. STPCLK# Deassertion Time

Problem: Under certain conditions the PIIX4 can deassert STPCLK# for a short time. A short deassertion of STPCLK# can cause the CPU to miss the STPCLK# transition. If the CPU misses the transition the PIIX4 will continue to assert STPCLK# indefinitely.

Implication: The system will hang if the PIIX4 holds STPCLK# asserted indefinitely.

Workaround: The 87% thermal duty cycle (THRM_DTY) in the CNTB register, and the 87% throttle duty cycle (THRTL_DTY) in the PCNTRL register is no longer supported. These bit positions are now reserved. System BIOS must also disable system clock control before the PIIX4 begins thermal throttling.

If the THRM_EN bit is set and the SCI_EN bit is cleared, an SMI# is generated by the PIIX4 upon assertion of the THRM# signal. The SMI# handler has 2 seconds to disable all system clock control functionality before the PIIX4 begins thermal throttling.

If the THRM_EN bit is set and the SCI_EN bit is set, an SCI is generated by the PIIX4 upon assertion of the THRM# signal. The interrupt handler has 2 seconds to disable all system clock control functionality before the PIIX4 begins thermal throttling.

Status: This will not be fixed on PIIX4. This will be incorporated into the PIIX4 Datasheet as a change to the specification. This errata will be fixed in PIIX4E. In PIIX4E the 87% thermal duty cycle (THRM)DTY) in the CNTB register, and the 87% throttle duty cycle (THRTL_DTY) in the PCNTRL register are supported. Upon assertion of the THRM# signal, no special provisions need to be taken. The PIIX4E will guarantee that STPCLK# signal stays high for at least 32 us.

6. Device Trap

Problem: When the PIIX4 has the Device Trap logic enabled for Devices 0-13, it forwards the I/O access cycles for the device to the EIO/ISA and IDE Bus.

Implication: Accesses to devices in a powered down state could cause unpredictable results.

Workaround: Upon a powerdown event for devices 0-3 (IDE) the SMI handler must save the IDE register settings in CMOS, disable IORDY, and set PIO transfers for compatible timings. Upon a powerup event for devices 0-3, the SMI handler must restore all original IDE register settings.

Upon a powerdown event for all other devices (using EIO), the SMI handler must disable the EIO decode and enable the trap logic for that device. Upon a powerup event, the SMI handler must enable the EIO decode and disable the trap logic.

Status: This will not be fixed on PIIX4. This will be incorporated into the PIIX4 datasheet as a change to the specification.

7. USB Rise/Fall Time Matching

Problem: The USB Specification defines a Rise / Fall Time Matching (T_{RFM}) which is calculated by dividing Rise Time by Fall Time (T_R / T_F). The specification for a full speed device is 90% minimum and 110% maximum. Simulation shows that the PIIX4 does not meet this specification.

Implication: None, USB functionality is unaffected because the PIIX4 does meet the required output signal crossover voltage specifications (V_{CRS}).

Workaround: None required.

Status: This will not be fixed on PIIX4. This will be incorporated into the PIIX4 datasheet as a change to the specification.

8. System Resume on USB OC# Assertion

Problem: In POS, an oscillating CLK48 and an OC# assertion cause the USB_STS bit to be set triggering a system resume. Typically systems turn off the CLK48 signal in POS which prevents the system resume. However, after entering POS there is a short period of time as CLK48 turns off where it still oscillates. An assertion of OC# before CLK48 completely stops can cause a system resume.

Implication: An over-current condition could cause an unexpected system resume.

Workaround: None.

Status: This will not be fixed on PIIX4. This will be incorporated into the PIIX4 datasheet as a change to the specification.

9. PCI Arbiter Advances when PC/PCI ISA Master Gets Retried by the Host Controller

Problem: When a PC/PCI ISA master cycle gets retried (delayed transaction) by the host controller, the PIIX4 PCI Arbiter advances to a pending PCI master (USB or IDE). Affects 440BX-PIIX4-MoonISA Docking platforms.

Implication: The 440BX host controller will delay transaction (retry) a PC/PCI ISA master cycle (PIIX4 DMA controller in cascade mode) from PCI to DRAM. When the PIIX4 detects the retry, it will do a passive release on the PHLD# signal and allow another PCI master (440BX Arbiter) to acquire the bus. Following the passive release, the PIIX4 will un-intentionally advance its PCI arbiter to a pending PCI master request (USB or IDE). The 440BX expects to the next cycle from PIIX4 to be the delayed transaction cycle and will retry any other cycle (USB or IDE). The PIIX4 arbiter will stay on the USB or IDE bus master device until the delay transaction timeout in the 440BX. After the timeout the 440BX drops the data possibly resulting in a system hang.

Workaround: None.

Status: This will not be fixed on PIIX4. This will be incorporated into the PIIX4 datasheet as a change to the specification.

10. Bus Master IDE Timeout

Problem: During an IDE DMA write, the PIIX4 IDE controller will invalidate its FIFO if the IDE device deasserts its DREQ signal for greater than 1us. During the FIFO invalidation, the PIIX4 does not prevent a FIFO fill from PCI.

Implication: In Bus Master IDE (BMIDE) mode, the PCI interface is prefetching data. If this prefetched data gets inserted into the IDE FIFO (during a FIFO invalidation due to DREQ deassertion > 1us) the IDE controller will lock up. Any future reassertion of the DREQ signal will not be acknowledged by the PIIX4 IDE controller. BMIDE transactions will not complete on either the primary or secondary channel.

Workaround: If the controller locks up, the BMIDE driver must timeout, reset the PIIX4 Start/Stop Bus Master bit, and retry the transfer. Note that this errata does not occur using PIO mode or Ultra DMA/33 mode.

Status: This will not be fixed on PIIX4. This will be incorporated into the PIIX4 datasheet as a change to the specification.

11. USB-PCI Latency

Problem: Under certain circumstances, PIIX4 will start an isochronous USB transfer when there is not enough time to successfully complete the transaction.

Implication: This failure only occurs when some PCI devices introduce large (>15usec) latencies on the PCI bus in combination with the USB transfer. In this situation, the USB port shuts down and requires the user to unplug the device, then plug it back in to get the device operational again. The rest of the system will continue to operate normally.

Workaround: In all cases found to date, the software drivers of the PCI devices causing large delays can be modified to reduce the latency to less than 15usec. When the PCI delays are reduced to this level the isochronous USB transfers will operate normally.

Status: There are currently no plans to fix this erratum.

12. ISA Verify followed by PCPCI DMA

Problem: The PIIX4E upon completion of an ISA Verify Mode cycle that reaches Terminal Count (TC), will not transition an internal TC signal from the TC state to the Idle state.

Implication: In a PIIX4E system, if a PCPCI DMA cycle follows an ISA DMA Verify cycle that reaches terminal count, with no other DMA, ISA Master or ISA Refresh cycles between them, the PIIX4E will assert the TC signal on the first data transfer of the PCPCI DMA cycle. This results in an incomplete data transfer.

Workaround: None.

Status: There are currently no plans to fix this erratum.

13. Device Monitor 9 and access to IO locations 62/66h

Problem:

1. If the Device 9 Idle Enable (IDL_EN_DEV9), Burst Reload Enable (BRLD_EN_DEV9), or Global Reload Enable (GRLD_EN_DEV9) bits are set; the idle, burst, or global standby timer will reload for I/O accesses to ISA Legacy addresses 62 or 66h, regardless of the Generic Decode Monitor Enable bit setting (GDEC_MON_DEV9).
2. If Device 9 Trap Enable bit (TRP_EN_DEV9) is set, the PIIX4E enables generation of a trap SMI for accesses to ISA Legacy addresses 62 or 66h regardless of the Generic Decode Monitor Enable bit setting (GDEC_MON_DEV9) and the value of the Programmable Base Address and Programmable Mask register settings (BASE_DEV9 & MASK_DEV9)

Implication:

1. Device 9 cannot be used as a monitor for I/O device addresses exclusive of 62 and 66h.
2. GPI4 cannot be used exclusively to reload the idle, burst, or global standby timers because accesses to ISA Legacy addresses 62 or 66h will also reload the times.

NOTE: GPI4 is still available as a General Purpose Input.

Workaround: None. If a generic I/O device monitor exclusive of I/O address 62 and 66h is needed, then use Device 10, if it is available.

Status: This will not be fixed in the PIIX4E

14. USB Resume from Selective Suspend

Problem: A USB resume sequence signaled by a downstream device, from the PIIX4E, may not be properly detected by the PIIX4E if the USB clock is running and the USB port is in a Selective Suspend mode. A combination of VCRS level and device speed (HS/LS) may allow the PIIXE to detect a SE1 level on a USB clock edge which the PIIX4E resume detect hardware cannot recognize.

Symptoms include either HC responds to downstream J to K transition by driving K state, but does not set PORTSC[Resume_Detect], or the HC does not respond to downstream J to K transition by driving K state back onto the cable. These symptoms will manifest themselves as either the PIRQD interrupt will not assert and not interrupt or wake the system, or polling of PORTSC will never return a detect response and the K state will remain driven by the HC and locked up.

Implication: If the system is in a state where USB clocks are running, such as normal or LVL3 power managed states, and the USB port is in Selective Suspend mode, a resume attempt initiated by the USB device, such as a keyboard, may not be detected and the suspended port may not resume. This failure to resume will prevent normal operation of the affected USB device, and if in a power managed state where USB clocks are still running, the system may not be awoken. In this case, the user will have to awaken the system another way and may have to un-plug and re-install the USB device to get it to work.

Workaround: 1. Ensure that USB peripheral devices do not support remote wake-up (peripheral workaround), or
2. Do not use the Selective Suspend feature of the PIIX4E, use only Global Suspend (OS workaround).

Status: This will not be fixed in the PIIX4E.

15. IRQ9OUT# is Active HI

Problem: The signal identified as IRQ9OUT#/GPO29, pin F3, is not active level LO, it is active level HI, when APIC Chip Select (XBCS[8]) is set.

Implication: This signal is typically used in Dual Processor capable systems and is connected to an IOAPIC. If the IOAPIC input is programmed for level LO, and SCI's or SM Bus events in the PIIX4 are programmed to be reported on IRQ9OUT, devices using these will not be recognized by the IOAPIC and will not work correctly.

Workaround: Program the appropriate input of the IOAPIC to active level HI.

Status: This will not be fixed in the PIIX4. This will be incorporated into the PIIX4 datasheet as a Specification Change.

16. IDE Prefetch

Problem: While executing a PIO IDE Read Sector(s) or Read Multiple command with PIO pre-fetching enabled, a read of a non-Data Register (such as ALT STATUS Register) may cause the PIIX4 PIO pre-fetch counter to increment, incorrectly since it should only increment on data transfers.

Implication: The incorrect count causes the PIIX4 to confuse sector boundaries, resulting in invalid data being placed in memory. This erratum was observed during validation testing executing special test software. No reports from internal testing or customer testing on production systems (i.e. without special test software) have been attributed to this errata to date. Intel customers should perform their own risk analysis on this errata and determine the most appropriate work around for their systems.

Workaround: The workaround for this errata is to not perform Non-Data register reads while an IDE PIO transfer is taking place. In cases where this errata has been seen, an interrupt (IRQn or SMI) has been used to enter the code from which the ALT STATUS read occurs. Code which is not directly involved in the IDE transfer should not perform the ALT STATUS read to check status of IDE transfers. An alternative for PIIX4 based systems is to use IDE device idle timer to detect IDE activity. Another work around is to disable IDE PIO prefetching.

Status: This will not be fixed in the PIIX4. This will be incorporated into the PIIX4 datasheet as a Specification Change. An additional paper titled “82371FB PIIX, 82371SB PIIX3, 82371AB PIIX4, 82371EB PIIX4E IDE PREFETCH ERRATA DESCRIPTION is available from Intel which describes this errata and risk analysis in greater detail. Intel is releasing this information to various operating system, BIOS vendors, and other software developers to allow them to analyze their code base and to minimize the potential for future software programs to trigger this errata.

17. SMI# Timing

Problem: When the PIIX4E asserts STPCLK# at the same time that it traps an I/O cycle, the SMI# assertion may be delayed until 5 PCI clocks after STPCLK# is deasserted. If this occurs, the Pentium® II processor will not recognize the SMI on the intended SMI code execution. If the I/O restart feature of the processor is used, this could cause the processor to restart the wrong instruction, resulting in undefined processor behavior. Software in which the instruction that follows the trapped I/O instruction is dependent on a result returned by the I/O Trap SMI routine, may not execute correctly. PIIX4E I/O Trap SMI includes device traps and APM register write traps (0B2h).

Implication: The errata condition can occur in Pentium® II processor/PIIX4E systems that use I/O Trap SMI with STPCLK# throttling enabled. The observed effect of the erratum is a system hang, although it may also result in indeterminate code behavior which could cause data corruption.

Workaround: The I/O Trap SMI with I/O Restart feature should be disabled if STPCLK# throttling is used. For applications where the I/O restart is not used, a dummy I/O instruction should follow the trapped I/O instruction to ensure that the I/O trap SMI handler will be called before the result of that handler is required. The system designer should review any I/O Trap SMI implementations for impact based on their specific code execution sequence.

Status: There are currently no plans to fix this erratum.

18. C3 Power State/BMIDE & Type-F DMA Livelock Errata

Problem: The PIIX4E does not always correctly reflect BMIDE and Type-F DMA activity on the BMSTS bit in the Power Management Status Register (PMSTS) of PIIX4 Function 3.

Implication: The Operating System will think that it is safe to enter a C3 state and will then disable the arbiter and then perform a PLVL3 register read to enter the C3 state, causing LIVELOCK to occur and resulting in a system hang.

Workaround: In the OS power management code (ACPI.SYS) include a test of the BMIDE status register in code that does the entry to C3. If a BMIDE transfer is in progress, do not enter C3. In the OS initialization code, mDISABLE Type-F DMA if BIOS indicates C3 support. If BIOS indicates that C3 is not supported, leave Type-F DMA enabled.

Status: This will not be fixed in the PIIX4E. This will be incorporated into the PIIX4/PIIX4E datasheet as a change to the specification. This should be corrected for in ACPI aware operating systems. Contact your Operating System vendor for schedule and release information.

19. USB Dribble Errata

Problem: A USB receive packet with a bitstuff following then transmission of CRC, coupled with a dribble bit due to prop delays through cables and HUBs may be incorrectly interpreted by the USB host controller state machine as a poorly formed EOP.

Implication: The host controller response to this is a non acknowledge with a CRC/Timeout status communicated to the software. If this condition persists the error count associated with this packet will be exceeded and an interrupt can be generated to software. This will stall the USB device. Current software reports a device error to the user via a pop up window. Another implication is that the installed base may have limited USB expandability via HUBs.

Workaround: There are two possible workarounds.

1. Hardware: Try plugging the USB device into a USB port closer to the root hub.
2. Software: Detect the CRC/Timeout error and count exceeded and attempt to requeue the packets while changing the length of the packets. Changing the length of the packets will change the CRC and thus potentially (likely) remove the combination of the two events causing the failure.

Status: This will not be fixed in the PIIX4E. This will be fixed in future implementations of the UHCI host controller.

20. ACPI Timer Errata

Problem: The power management timer may return improper result when read. Although the timer value settles properly after incrementing, while incrementing there is a 3nS window every 69.8nS where the timer value is indeterminate (a 4.2% chance that the data will be incorrect when read). As a result, the ACPI free running count up timer specification is violated due to erroneous reads.

Implication: System hang due to the “inaccuracy” of the timer when used by software for time critical events and delays.

Workaround: Read the register twice and compare.

Status: This will not be fixed in the PIIX4 or PIIX4E.

21. Daylight Savings Time Errata

Problem: If the last Sunday in October is the 30th or 31st, and the daylight savings enable bit in the PIIX4E is set, the PIIX4E will not correctly adjust the time back one hour from 1:59:59 to 1:00:00am.

Implication: The system time may not be correct after the daylight savings time change. The first manifestation of this will be on October 31st 1999.

Workaround: 1) If using Microsoft Windows 95/98 or Windows NT4.0 operating systems, leave the system on and the operating system running at 1:59:59am on the last Sunday of October. Some operating systems will correctly detect the time change and correct the PIIX4E’s CMOS time settings. 2) After the daylight savings fallback occurs, change the time manually, using either an operating system date/time function, or the BIOS setup. 3) Contact your system provider to see if there is a BIOS update available that corrects this condition.

Status: This will not be fixed in the PIIX4E. It will be corrected in future chipset implementations

Specification Clarifications

1. SUSAN#, SUSBN#, and SUSCN# State transition during RESET

After a hard reset (a write to C9h bit 2, with bit 1 set to 1) SUSAN#, SUSCN# immediately transition low for three to four RTC clocks.

In many system designs, these signals control the various power plans. If the assertion of these signals do not affect the state of PWROK from the power supply circuitry, the hard reset completes normally with a system reboot. If the assertion of these signals cause the power supply circuitry to deassert PWROK, the PIIX4 will reset and power-up the system like it was performing a cold boot. In both cases the system reboots.

This clarification applies to all steppings of the PIIX4 and will be incorporated into the next revision of the PIIX4 datasheet.

2. CONFIG[1] Definition

- In addition to controlling the polarity of INIT and CPURST, this signal also controls the latching of NMI, SMI#, INTR, and INIT. In a Pentium® Processor based system (CONFIG[1]=0) NMI, SMI#, INTR, and INIT flow unlatched to the processor in all power managed states. In a Pentium® Pro Processor based system (CONFIG[1]=1) NMI, SMI#, INTR, and INIT will be latched when STPCLK# is asserted, and held for 5 PCICLKs after STPCLK# is deasserted.
- This clarification applies to all steppings of the PIIX4 and will be incorporated into the next revision of the PIIX4 datasheet.

2.1.12 Other System and Test Signals

Name	Type	Description
CONFIG[1]	I	<p>CONFIGURATION SELECT 1:</p> <p>This input signal is used to select the type of microprocessor is being used in the system. If CONFIG[1] = 0, the system contains a Pentium microprocessor. If CONFIG[1] = 1, the system contains a Pentium Pro microprocessor. CONFIG[1] is used to control the polarity of the INIT and CPURST signals and the latching of NMI, SMI#, INTR, and INIT. If CONFIG[1]=1, INIT# and CPURST# are active low and NMI, SMI#, INTR, INIT# flow unlatched to the processor. If CONFIG[1]=0, INIT and CPURST and active high and NMI, SMI#, INTR, and INIT will be latched when STPCLK# is asserted, and held for 5 PCICLKs after STPCLK# is deasserted.</p>

3. IRQ8# Routing

The RTC interrupt is connected to ISA IRQ8#, and is internally routed within the PIIX4.

If the internal RTC is enabled (bit 0 of the RTCCFG is set) , the PIIX4's IRQ8# pin should be programmed as a general-purpose input, GPI[6] (by setting bit 14 of the PIIX4's General Configuration Register) . However, if an external APIC is used, the PIIX4's IRQ8# becomes an output and must not be programmed as a general-purpose input.

The table below summarizes the PIIX4's IRQ8# pin configuration depending on different usage of the RTC and APIC.

This clarification applies to all steppings of the PIIX4 and will be incorporated into the next revision of the PIIX4 datasheet.

IRQ8# configuration with different scenarios

Internal RTC	External RTS	External APIC	PIIX4's IRQ Should be Selected as *
Used	Not used	Not used	GPI[6] (input)
Used	Not used	Used	IRQ8# (output)
Not used	Used	Not used	IRQ8# (input)
Not used	Used	Used	IRQ8# (input)

*Bit 14 of the PIIX4's GENCFG register will determine the configuration of PIIX4's IRQ8# pin.

4. IRQ9 Routing

SCI interrupts, SMBus interrupts and PIRQs can be routed to IRQ9. Any time an SCI, SMB or PIRQ is programmed to use the internal 8259's IRQ9, the PIIX4 will ignore the ISA IRQ9 and the interrupts will behave like level triggered interrupts. The table below describes the implications of the different routing options.

This clarification applies to all stepings of the PIIX4 and will be incorporated into the next revision of the PIIX4 datasheet.

SCI Interrupt	SMBus Interrupt	PIRQ	ISA IRQ9	Result
0	0	0	0	No Interrupt
0	0	0	1	ISA IRQ9 used (edge or level)
0	0	1	X	ISA IRQ lost, level mode only, non-shared
0	1	0	X	ISA IRQ lost, level mode only, non-shared
0	1	1	X	ISA IRQ lost, level mode only, shared
1	0	0	X	ISA IRQ lost, level mode only, non-shared
1	0	1	X	ISA IRQ lost, level mode only, shared
1	1	0	X	ISA IRQ lost, level mode only, shared
1	1	1	X	ISA IRQ lost, level mode only, shared

NOTE: 0 = IRQ9 not used by that function
 1 = IRQ9 used by that function
 non-shared = IRQ9 not shared internally between functions
 shared = IRQ9 shared internally between functions

5. SERIRQ Sampling Phase

When referring to the state of the SERIRQ signal the verbiage in section 8.7.1 of the datasheet uses the words active and low interchangeably as well as the words inactive and high. This text has been changed to only use the words low and high when referring to the state of the SERIRQ signal. The PIIX4's 8259 logic determines if the corresponding interrupt on the SERIRQ signal is active or inactive.

This clarification applies to all stepings of the PIIX4 and will be incorporated into the next revision of the PIIX4 datasheet.

8.7.1 Protocol

Serial interrupt information is transferred using three types of frames: a Start Frame, one or more IRQ Data frames, and one Stop frame. There are also two modes of operation: Quiet Mode and Continuous Mode.

Quiet (Active) Mode

To indicate an interrupt, the peripheral brings the SERIRQ signal low for one clock, and then tri-states the signal. This brings all the state machines from IDLE to the ACTIVE states.

PIIX4 then takes control of the SERIRQ signal by driving it low on the next clock, and continues driving it low for 3–7 clocks more (programmable). Thus, the total number of clocks low will be 4–8. After those clocks, PIIX4 drives SERIRQ high for one clock and then tri-state the signal.

Continuous (Idle) Mode

In this mode, PIIX4 initiates the START frame, rather than the peripherals. Typically, this is done to update IRQ status (acknowledges). PIIX4 drives SERIRQ low for 4–8 clocks. This is the default mode after reset, and can be used to enter the Quiet mode.

Data Frame

Once the Start frame has been initiated, all of the serial interrupt peripherals must start counting frames based on the rising edge of SERIRQ. Each of the IRQ/DATA frames has exactly 3 phases of 1 clock each: a Sample phase, a Recovery Phase, and a Turn-around phase.

During the Sample phase, the device drives SERIRQ low if the state of the corresponding interrupt is low. If the state of the corresponding interrupt is high the devices should not drive the SERIRQ signal. It will remain high due to pull-up resistors. The PIIX4's 8259 logic determines if the logic level on the SERIRQ signal is active or inactive.

During the other two phases (Turn around and Recovery), no device should drive the SERIRQ signal. The IRQ/DATA frames have a specific order and usage, as shown in Table 26.

If an SMI# is activated on frame 3, PIIX4 drives its EXTSMI# signal active. This then generates an SMI# to the microprocessor, if enabled.

6. RI# Pulse Width Requirement

Section 11.4.2 of the PIIX4 datasheet specifies a 2 RTC pulse width requirement for GPI1, IRQ[15:9,7:3,1], and USB resume events. This list should also include RI#.

This clarification applies to all steppings of the PIIX4 and will be incorporated into the next revision of the PIIX4 datasheet.

“The GPI1, EXTSMI#, IRQ[15:9,7:3,1], and USB resume events must be active for a minimum of 64 μ s (approximately 2 TC clock periods) for the resume to be recognized.”

7. Diode Requirement for Vref Sequencing Circuit

Figure 2, in section 2.3, of the PIIX4 datasheet provides an example Vref Sequencing Circuit. Included in this circuit is a diode. The datasheet does not explicitly state that this diode should be a Schottky diode.

This clarification applies to all steppings of the PIIX4 and will be incorporated into the next revision of the PIIX4 datasheet.

8. SMI# Generation from APMC Write

In order to generate an SMI# by reading from the APMC Register it is necessary to enable both the APMC_EN bit as well as the IOSE bit. The datasheet section 4.2.6.1, 7.1.3, and 7.1.16 does not state that it is necessary to set the IOSE bit.

This clarification applies to all steppings of the PIIX4 and will be incorporated into the next revision of the PIIX4 datasheet.

4.2.6.1 APMC—Advanced Power Management Control Port (IO)

I/O Address: 0B2h
Default Value: 00h
Attribute: Read/Write

This register passes data (APM Commands) between the OS and the SMI handler. In addition, writes can generate an SMI. PIIX4 operation is not effected by the data in this register.

Bit	Description
7:0	APM Control Port (APMC). Writes to this register store data in the APMC Register and reads return the last data written. In addition, writes generate an SMI, if the APMC_EN bit (PCI function 3, offset 58h, bit 25) and the IOSE bit (PCI function 3, offset 04h, bit 0) are set to 1. Reads do not generate an SMI.

7.1.3 PCICMD—PCI COMMAND REGISTER (FUNCTION 3)

Address Offset: 04–05h
Default Value: 00h
Attribute: Read/Write

This register controls access to the I/O space registers.

Bit	Description
0	I/O Space Enable (IOSE). 1=Enable. 0=Disable. This bit controls the access to the SMBus I/O space registers whose base address is described in the SMBus Base Address register. If this bit is set, access to the SMBus IO registers is enabled. The base register for the I/O registers must be programmed before this bit is set. When disabled, all IO accesses associated with SMBus Base Address are disabled. This bit must be set to enable SMI# generation from a write to the APMC register. This bit functions independent of the state of Function 3 Power Management IO Space Enable (PMIOSE) bit (PMREGMISC register, bit 0).

7.1.16 DEVACTB—DEVICE ACTIVITY B (FUNCTION 3)

Address Offset: 58–5Bh
Default Value: 00h
Attribute: Read/Write

This register contains the Clock Event and Global Timer Reload enables for IRQs, PCI access, PME events, and Video.

Bit	Description
25	APMC Enable (APMC_EN)—R/W. 1=Enable generation of SMI# when APMC register is written to and SMI# is enabled. 0=Disable.

9. Power Button Override

When the PWRBTN# signal has been continuously asserted for greater than 4 seconds, the PIIX4 automatically transitions the system into the soft off state and clears the PWRBTN_STS bit. However, if the status bit of any resume event is set at the time of an override, the PIIX4 will transition to the soft off state and immediately resume. If PWROK is deasserted, the power button override logic will not function.

The PWRBTN#_SST bit will be set if the PWRBTN# signal is asserted as described, regardless of it being enabled.

When the system is in soft off state, due to power button being pressed for greater than 4 seconds, a resume event, such as Global Standby Timer expiration, may wake the system from soft off. Placing code in the POST that test the appropriate status bit can be used to prevent the system from coming back up. For example, for Global Standby Timer, IF PWRBTNOR_STS=1 THEN GO BACK TO S5, else continue POST.

This clarification applies to all steppings of the PIIX4 and will be incorporated into the next revision of the PIIX4 datasheet.

7.2.1 PMSTS—POWER MANAGEMENT STATUS REGISTER (IO)

I/O Address: Base + (00h)

Default Value: 00h

Attribute: Read/Write

Bit	Description
11	Power Button Override Status(PWRBTNOR_STS)—R/WC. 1=Power Button Override has been signaled. 0=Power Button Override has not been signaled. This bit is set when Power Button Override has been enabled and the PWRBTN# signal has been continuously asserted for greater than 4 seconds. PIIX4 automatically transitions the system into the soft off state and clears the PWRBTN_STS bit. If the status bit of any resume event is set at the time of a power button override, the PIIX4 will transition to the soft off state and immediately resume. If PWROK is deasserted, the Power Button Override logic will not function. This bit is only set by hardware and can only be reset by writing a one to this bit position.

10. RTC Status Bit Clarification

The RTC_EN bit in the PMEN register (base + 02h, bit 10) gates the setting of the RTC_STS bit. RTC_EN must be set in order to set the RTC_STS bit upon an RTC alarm.

This clarification applies to all steppings of the PIIX4 and will be incorporated into the next revision of the PIIX4 datasheet.

7.2.1 PMSTS—POWER MANAGEMENT STATUS REGISTER (IO)

I/O Address: Base + (00h)

Default Value: 00h

Attribute: Read/Write

Bit	Description
10	RTC Status (RTC_STS)—R/WC. 1=RTC alarm has been signaled. 0=RTC alarm has not been signaled. This bit is set when the internal RTC asserts its IRQ8 signal and the RTC_EN bit is set. This bit is only set by hardware and can only be reset by writing a one to this bit position.

11. SCI_EN Bit Clarification

The SCI_EN bit in the PMCNTRL register enables the generation of SCI from 4 sources; PWRBTN#, LID, THRM#, and GPII#. If this bit is enabled and the individual enable bits from these sources are set (PWRBTN_EN, LID_EN, THRM_EN, and GPI_EN), an SCI is generated. If this bit is disabled and the individual enable bits from these sources are set, an SMI# is generated. Note that there are two sources of SCI (BIOS_RLS, TMROF_STS) that are not controlled by this register. To disable SCI from these sources, their respective enable bits (GBL_EN, TMROF_EN) must be disabled.

This clarification applies to all steppings of the PIIX4 and will be incorporated into the next revision of the PIIX4 datasheet.

7.2.3 PMCNTRL—POWER MANAGEMENT CONTROL REGISTER (IO)

I/O Address: Base + (04h)

Default Value: 0000h

Attribute: Read/Write

Bit	Description
0	SCI Enable(SCI_EN)—R/W. 1=Enable generation of SCI upon setting of PWRBTN_STS, LID_STS, THRM_STS, or GPI_STS bits. 0=Disable. Note that this register does not disable SCI generation from the Power Management Timer or BIOS Release bit.

12. Thermal Override Initiates Throttling Even in Clock Control State

If THRM# is asserted for more than 2 seconds while the PIIX4 is in a Stop Grant state, the PIIX4 will still initiate STPCLK# throttling. Once THRM# is deasserted the PIIX4 will return to the clock control state.

This clarification applies to all steppings of the PIIX4 and PIIX4E and will be incorporated into the next revision of the PIIX4 datasheet.

13. No Disabling Burst Events During A Burst

Burst events cause the reload of a Burst timer, which begins to count down from its loaded value. While the timer is counting, the system returns to full clock operation. Once the burst timer expires, the system automatically returns to the clock controlled state. PIIX4 provides 2 different burst timers, a fast burst timer (which generates a short count) and a slow burst timer (which generates a longer count). If burst events are disabled during a burst, the PIIX4 will enter the clock-controlled state after the burst timer expires and will not be able to break out.

This clarification applies to all steppings of the PIIX4 and PIIX4E and will be incorporated into the next revision of the PIIX4 datasheet.

14. Unrouting a PIRQ

Section 8.6.8, Interrupt Steering of the PIIX4 datasheet states how to route a PIRQx# to a IRQx, but does not state a suggested procedure for unrouting. The paragraph below will be added at the end of this section.

Before unrouting a PIRQx# from an IRQx, ensure that the mask is enabled for that IRQ and that the corresponding ELCR is set back to edge mode. When the IRQx is unmasked an interrupt will likely be generated which should be treated as any other spurious interrupt.

15. IDE Device Detection

Values read from an unpopulated, floating IDE port are indeterminate. To avoid falsely detecting a busy drive, OEMs should follow the platform design recommendations for detecting an IDE device.

This clarification applies to all steppings of the PIIX4 and will be incorporated into the next revision of the PIIX4 datasheet.

16. Physical Region Descriptor Alignment

Section 9.4, The Physical Region Descriptor Format inaccurately specifies that the Descriptor Table (DT) must be aligned on a 64-Kbyte boundary.

The Physical Region Descriptor Table must be aligned on a Dword boundary. However, the DT must never cross a 64Kbyte boundary. For the case where a 64 Kbyte DT is required, then it must be aligned on a 64 Kbyte boundary.

This clarification applies to all steppings of the PIIX4 and will be incorporated into the next revision of the PIIX4 datasheet.

17. RTC Index Register Read

Section 6.1.14 does not clearly document the steps for reading the RTC Index Register. The following algorithm should be followed before reading the RTC Index Register:

1. Disable Alternate Access mode (funct 0, B0h, bit 5)
2. Set the RTC Index Read Enable bit (RTCIREN)
3. Read the RTC Index register (70h) (bits [6:0] provide RTC Index value, bit 7 is indeterminate)
4. Disable the RTC Index Read Enable bit
5. Enable Alternate Access mode
6. Read the RTC Index register (bit 7 is the NMI enable bit, bits [6:0] are indeterminate)
7. Disable Alternate Access mode (funct 0, B0h, bit 5)

This clarification applies to all steppings of the PIIX4 and will be incorporated into the next revision of the PIIX4 datasheet.

18. GPI[1] Minimum Assertion

Section 7.2.5 does not clearly document the required behavior for GPI_STS. The following description will be added to the description for GPSTS[9] (GPI_STS). GPI[1]# must be asserted for a minimum of 2 PCI Clocks during runtime, or 2 RTC Clocks during suspend for GPI_STS to be set.

19. RSMRST# Behavior

The PIIX4 Datasheet, section 2.1.10 identifies the signal description of the Power Management Signals. The following should be added to the description of RSMRST#.

It will reset the SM Bus Host and Slave controllers in the suspend well and will assert SUS[A:C]#. The assertion of SUS[A-C]# will generally initiate the deassertion of PWROK. RSMRST# assertion will then generally reset the entire system.

20. SMBus Busy Bit Behavior

In a polling environment, when reading the SMBus Host Status Register, the Host BUSY bit may appear to indicate a premature transaction completion. Though the Host BUSY bit accurately tracks the SMBus activity, there can be some delay between setting the start bit within the SMBus Controller and the transaction actually starting. Immediate polling of the Host Status Register BUSY bit may indicate that the SMBus is NOT busy, but the reason is because it hasn't started yet. Therefore, the suggested usage model for non-BIOS implementations should be to use an interrupt or SMI to indicate when the transaction is complete. The interrupt is guaranteed to follow the completion of the transaction because the interrupt is an "AND" with the Interrupt Enable Bit and the Host Status Bit. This clarification applies to all steppings of the PIIX4 and will be incorporated into the next revision of the PIIX4 datasheet.

To clarify this behavior, the following changes to the PIIX4 datasheet are required:

In the PIIX4 datasheet, Page 148, Section 7.3.1. SMBHSTSTS - SMBUS HOST STATUS REGISTER, Bit 1 and Bit 0 should be changed to read:

7.3.1 SMBHSTSTS—SMBUS HOST STATUS REGISTER (IO)

I/O Address: Base + (00h)

Default Value: 00h

Attribute: Read/Write

This register provides status information concerning the SMBus controller host interface.

Bit	Description
7:5	Reserved.
4	Failed (FAILED)—R/WC. 1=Indicates that the source of SMBus interrupt was a failed bus transaction, set when KILL bit is set (SMBHSTCNT register). 0=SMBus interrupt not caused by KILL bit. This bit is only set by hardware and can only be reset by writing a 1 to this bit position.
3	BUS COLLISION (BUS_ERR)—R/WC. 1=Indicates that the source of SMBus interrupt was a transaction collision. 0=SMBus interrupt not caused by transaction collision. This bit is only set by hardware and can only be reset by writing a 1 to this bit position.
2	Device Error (DEV_ERR)—R/WC. 1=Indicates that the source of SMBus interrupt was the generation of an SMBus transaction error. 0=SMBus interrupt not caused by transaction error. This bit is only set by hardware and can only be reset by writing a 1 to this bit position. Transaction errors are caused by: <ul style="list-style-type: none"> • Illegal Command Field • Unclaimed Cycle (host initiated) • Host Device Time-out
1	SMBus Interrupt/Host Completion (INTER)—R/WC. 1= Indicates that the host transaction has completed or that the source of an SMBus interrupt was the completion of the last host command. 0=Host transaction has not completed or that an SMBus interrupt was not caused by host command completion. This bit is only set by hardware and can only be reset by writing a 1 to this bit position.
0	Host Busy (HOST_BUSY)—RO. 1= Indicates that the SMBus controller host interface is in the process of completing a command. 0=SMBus controller host interface is not processing a command. None of the other registers should be accessed if this bit is set. Note that there may be moderate latency before the transaction begins and the Host Busy bit gets set.

In the PIIX4 datasheet, Page 150, Section 7.3.3. SMBHSTCNT - SMBUS HOST CONTROL REGISTER (IO), Bit 0 should be changed to read:

7.3.3 SMBHSTCNT—SMBUS HOST CONTROL REGISTER (IO)

I/O Address: Base + (02h)
Default Value: 00h
Attribute: Read/Write

The control register is used to enable SMBus controller host interface functions. Reads to this register clears the host interface's index pointer to the block data storage array.

Bit	Description																				
7	Reserved.																				
6	Start (START)—R/W. 1=Start execution. Writing a 1 to this bit initiates the SMBus controller host interface to execute the command programmed in the SMB_CMD_PORT field. All necessary registers should be setup prior to writing a 1 to this bit position. 0=Writing a 0 has no effect. This bit always reads 0. The HOST_BUSY bit can be used to identify when the SMBus host controller has finished executing the command.																				
5	Reserved.																				
4:2	SMBus Command Protocol (SMB_CMD_PROT)—R/W. Selects the type of command the SMBus controller host interface will execute. Reads or writes are determined by bit 0 of SMBHSTADD register. This field is decoded as follows: <table border="1" style="margin-left: 20px;"> <thead> <tr> <th>Bits[4:2]</th> <th>Protocol</th> <th>Bits[4:2]</th> <th>Protocol</th> </tr> </thead> <tbody> <tr> <td>000</td> <td>Quick Read or Write</td> <td>100</td> <td>Reserved</td> </tr> <tr> <td>001</td> <td>Byte Read or Write</td> <td>101</td> <td>Block Read or Write</td> </tr> <tr> <td>010</td> <td>Byte Data Read or Write</td> <td>110</td> <td>Reserved</td> </tr> <tr> <td>011</td> <td>Word Data Read or Write</td> <td>111</td> <td>Reserved</td> </tr> </tbody> </table>	Bits[4:2]	Protocol	Bits[4:2]	Protocol	000	Quick Read or Write	100	Reserved	001	Byte Read or Write	101	Block Read or Write	010	Byte Data Read or Write	110	Reserved	011	Word Data Read or Write	111	Reserved
Bits[4:2]	Protocol	Bits[4:2]	Protocol																		
000	Quick Read or Write	100	Reserved																		
001	Byte Read or Write	101	Block Read or Write																		
010	Byte Data Read or Write	110	Reserved																		
011	Word Data Read or Write	111	Reserved																		
1	Kill (KILL)—R/W. 1=Stop the current in process SMBus controller host transaction. This sets the FAILED status bit and asserts the interrupt selected by the SMB_INTRSEL field. 0=Allows the SMBus controller host interface to function normally.																				
0	Interrupt Enable (INTEREN)—R/W. 1= Enable the generation of interrupts (IRQ9OUT) or SMI (as defined in the table listed in section 7.1.28., SMBUS HOST CONFIGURATION REGISTER (Function 3), bit [3:1], SMBus Interrupt Select) on the completion of the current host transaction. 0=Disable.																				

In the PIIX4 datasheet, Pages 266-267, Section 11.5.4.1, SMBus Host Interface, paragraph 2 should be modified as follows:

11.5.4.1 SMBus Host Interface

A SMBus Host Controller is used to send commands to various SMBus devices. The PIIX4 SMBus controller implements a full host controller implementation. The PIIX4 SMBus controller supports seven command protocols of the SMBus interface (see *System Management Bus Specification, Revision 1.0*): Quick Command, Send Byte, Receive Byte, Write Byte/Word, Read Byte/Word, Block Read, and Block Write.

To execute a SMBus host transaction, the type of transfer protocol, the address of SMBus device, the device specific command, the data, and any control bits are first setup. Then the START bit is set, which causes the host controller to execute the transaction. When the transaction is completed, PIIX4 generates an interrupt, if enabled. The interrupt can be selected between IRQ9OUT or SMI#. The system software can wait for an interrupt to signal completion or it can monitor the SMBus Interrupt/Host Completion status bit. An interrupt is also signaled if an error occurred during the transaction or if the transaction was terminated by software setting the KILL bit. The SMBHSTCNT, SMBHSTCMD, SMBHSTADD, SMBHSTDAT0, SMBHSTDAT1, and SMBBLKDAT registers should not be accessed after setting the START bit while the HOST_BUSY bit is active until completion of the transaction as indicated by the SMBus Interrupt/Host Completion status bit going active.

The SMBus controller will not respond to the START bit being set unless all interrupt status bits in the SMBHSTSTS register have been cleared.

For Block Read or Block Write protocols, the data is stored in a 32-byte block data storage array. This array is addressed via an internal index pointer. The index pointer is initialized to zero on each read of the SMBHSTCNT register. After each access to the SMBBLKDAT register, the index pointer is incremented by one. For Block Write transactions, the data to be transferred is stored in this array and the byte count is stored in SMBHSTDAT0 register prior to initiating the transaction. For Block Read transactions, the SMBus peripheral determines the amount of data transferred. After the transaction completes, the byte count transferred is located in SMBHSTDAT0 register and data is stored in the block data storage array. Accesses to the array during execution of the SMBus transaction always start at address 0.

Any register values needed for computation purposes should be saved prior to the starting of a new transaction, as the SMBus host controller updates the registers while executing the new transaction.

21. **GPI14 for Device 5 Can Cause IO Trap SMI#**

Page 219 of the datasheet, section 11.3.5.6 describes how the PIIX4 will respond to GPI14 for Device 5 system events. The 3rd bullet currently states “Assertion of GPI14. The polarity of active signal (high or low) is selectable. This can cause idle, burst, or global standby timer reloads.”

This bullet is changed to “Assertion of GPI14. The polarity of active signal (high or low) is selectable. This can cause idle, burst, global standby timer reloads, or IO Trap SMI#.”

22. **XDIR# Assertion**

Page 22 of the datasheet, section 2.1.3, describes the XDIR# signal. The second sentence of the description, “XDIR# is asserted (driven low) for all I/O read cycles regardless if the accesses is to a PIIX4 supported device.” should be changed to “XDIR# is asserted (driven low) for all I/O read cycles targeting the XBUS or enabled Generic Decode Chip Selects.”

23. **Correction to the USB Bandwidth Reclamation Errata Workaround**

The workaround for the USB Bandwidth Reclamation Errata workaround is not correctly documented in Errata number 4. The following changes are required.

- 1) The Queue Head Link Pointer must be set to point to the next Queue Head, not the pseudo TD as indicated.
- 2) The Queue Head Link Element Pointer (DW 04-07h) must be set to point to the Pseudo TD.

24. **Do Not Use 4-Clock Serial IRQ Start Frame Width When CLKRUN# is Enabled**

When a device wants to start a serial IRQ cycle in Quiet Mode, it will drive the SERIRQ line low for one clock, and then tristate the line. The PIIX4 will then begin driving SERIRQ low so that it will be held low for a total of 4, 6, or 8 clocks. This Serial IRQ Start Frame pulse width is programmable, via Function 0 offset 64h, SERIRQC[1:0]. The requesting device must see SERIRQ low for at least 4 clocks. In cases where incorrect CLKRUN# protocol is implemented, interrupting clocks, the requesting device may not see 4 clocks of low time. An example of this is when CLKRUN# may be reasserted by a PCI agent too late to guarantee uninterrupted clocks, but before the clock actually stops. This will result in a failed SERIRQ cycle. When CLKRUN# protocol is implemented in a PIIX4 system, setting the Serial IRQ Start Frame pulse width to 6 or 8 clocks will make the PIIX4 immune from this condition.

25. SLP# Connectivity in Multi-processor Systems

For multi-processor systems using the PiiX4/PiiX4E, the SLP# signal may be asserted to one of the processors before it is in a processor sleep state 3, and therefore not yet acknowledged. This could result in a wakeup problem.

Specifically, For PiiX4/PiiX4E based platforms, STPCLK# from the PiiX4E is connected to all processors, and SLP# from the PiiX4E is connected to all processors. The following sequence occurs:

- 1) OS writes to PMCNTRL register
- 2) PiiX4E asserts STPCLK#, then waits for Stop Grant
- 3) The processor acknowledges with a Stop Grant Acknowledge
- 4) PiiX4E asserts SLP# after receiving Stop Grant Acknowledge

While this sequence works for uni-processor systems, processors are put into Processor Sleep State 3, not State 5, during ACPI S1 state. This means that the SLP# signal *must not be connected* to any processor in multi-processor systems.

Note that disabling the SLEEP_EN bit in the PiiX4E Processor Control register is not an acceptable workaround for this issue since this bit only controls SLP# assertion in C3 state, not in S1 state.

26. Interrupt De-assertion (only .35u process device)

The PiiX4E has transitioned to a smaller and faster manufacturing process (.35u process). The result of this transition is largely transparent for the majority of operations, however an exception has been identified for some operating systems, most notably OS/2.

This issue is seen when a system is configured in Virtual Wire mode where 8259 generated interrupts are delivered through the IO APIC which is configured for edge triggered interrupts on its inputs. This issue could also manifest itself in other modes such as PIC mode or uni-processor mode where the PiiX4E interrupt output goes directly to the CPU, or to intermediary circuitry which may also miss the short de-assertion pulse described below. Please consult the Microprocessor Specification v1.4 available on developer.intel.com for details on these operating modes.

A high priority interrupt occurring just as the PiiX4E receives INTACK for a preceding low priority interrupt can cause a small interrupt de-assertion time from the new PiiX4E (.35u) which can be missed at either the IO APIC or the processor, depending on configuration, and likely cause a system hang. The interrupt de-assertion time as specified for the original 8259 interrupt controller is a variable value, and the PiiX4E was designed to meet this specification and does. However on the old PiiX4E (.6u), the interrupt de-assertion time was on the order of 100nS, where on the new PiiX4E this time can be as short as 3nS for the above described condition. While this still meets the original 8259 interrupt controller specification, it does not meet the interrupt input minimum de-assertion-time requirements for the IO APIC or the Pentium®-II, Pentium-III, Pentium-II Xeon, and Pentium-III Xeon processors (please refer to respective data sheets for these specifications). As the LINT[1:0] inputs at the processor are also configuration pins at reset, the interrupt signal is often routed through configuration circuitry first, and then to the processor. On some system designs, it has also been identified that the short de-assertion pulse never makes it through this circuitry, which may also require detection of the short de-assertion edge, and subsequent pulse stretching circuitry to meet minimum de-assertion time for the CPU.

To address the Virtual Wire Mode through the IO APIC problem, configure Virtual Wire mode to operate through the processor's local APIC, vs. the IO APIC, and also for level triggered mode via EXTInt (default).

A workaround for OS/2 has been identified for the anomaly. The OS/2 driver uses an environment variable switch to force the change to the correct virtual wire mode. The variable in config.sys is:

Locate PSD=OS2APIC.PSD statement and add “ /PREC=LID” to the end of it.

Your config.sys PSD statement should read as follows: PSD=OS2APIC.PSD /PREC=LID

If this problem is experienced in uni-processor or PIC mode, circuitry to catch the short de-assertion pulse from the PiiX4E and stretch it to greater than 2 BCLKs for input to the CPU can be employed.

27. Serial IRQ Enable Clarification

Section 4.1.11 describes the SERIRQC-Serial IRQ Control Register. Bit-7 (Serial IRQ Enable) must be set only after the SERIRQ/GPI7 Signal Pin Select (Function 0 GENCFG) has been set.

Documentation Changes

1. PCI Revision ID (RID) Register Values

Change: The RID register (PCI offset 08h) values for functions 0, 1, 2, and 3 are shown below:

Function	Stepping			
	PIIX4 A-0	PIIX4 A-1	PIIX4 B-0	PIIX4E A-0
0	00h	00h	01h	02h
1	00h	00h	01h	01h
2	00h	00h	01h	01h
3	00h	00h	01h	02h

Status: Not updated in Datasheet. This is the standard reference document.

2. Interval Timer for IRQ0

Section 8.6 and Figure 5 in the Datasheet incorrectly refer to Interval Timer 1 as the timer used by IRQ0 for the system timer interrupt. IRQ0 is actually tied to Interval Timer 0.

This change applies to all steppings of the PIIX4 and will be incorporated into the next revision of the PIIX4 datasheet.

3. PCI Bus Master Activity for Burst Events

Section 11.2.1 in the Datasheet incorrectly lists PCI Bus Master Activity [BRLD_EN_BM] as a fast burst event. The BRLD_EN_BM bit is not supported.

This change applies to all steppings of the PIIX4 and will be incorporated into the next revision of the PIIX4 datasheet.

4. IRQ9 and IRQ9OUT# Pin Locations

Table 55 and Figure 34 incorrectly document the pin locations for IRQ9 and IRQ9OUT/GPO29. Pin F3 should be documented as IRQ9OUT#/GPO29 and pin U1 should be documented as IRQ9.

This change applies to all steppings of the PIIX4 and will be incorporated into the next revision of the PIIX4 datasheet.

5. PIO0 Timing Values

Table 14 in the PIIX4 Datasheet incorrectly lists the PIO0 cycle time, IORDY Sample Point and Recovery Time. The IORDY sample time is 6 clocks, the Recovery Time is 14 clocks, the 30 MHz cycle time is 660 Ns and the 33 MHz cycle time is 600 Ns.

This change applies to all steppings of the PIIX4 and will be incorporated into the next revision of the PIIX4 datasheet.

Table 1. DMA/PIO Timing Values (Based on PIIX4 Cable Mode and System Speed)

PIIX4 Drive Mode	IORDY Sample Point (ISP)	Recovery Time (RCT)	IDETIM[15:8] Drive 0 (Master) If Slave Attached	IDETIM[15:8] Drive 0 (Master) If no Slave attached or Slave is Mode 0	SIDETIM Pri[3:0] Sec[7:4] Drive 1 (Slave)	Resultant Cycle Time Base operating frequency and cycle time.
PIO0/Compatible	6 clocks (default)	14 clocks (default)	C0h	80h	0	30 MHz: 660ns 33 MHz: 600ns

6. Table 50 STD to ON is Max Value

STD to ON Timings, t138, shown in table 50 of page 257 is mistakenly indicated as a Min value. T138 of STD to On is a Max value.

7. Fast_A20

The description of the Fast_A20 bit indicates a value of 1 causes A20M# to assert to 0. The correct description should be 1=Causes A20M# signal to be deasserted to 1. The table in the description is correct.

8. Sleep and Deep Sleep for Pentium® II Processors Only

The PIIX4 Datasheet, section 11.2.1, identifies Stop Clock State and Deep Sleep State as being available for Pentium® II processors only, which is incorrect.

The Sleep State and the Deep Sleep State are for Pentium® II processors only, the Stop Clock State is available for all CPU types.

9. SMI# Minimum Deassertion

The PIIX4 Datasheet Addendum in Table 5 and Figure 5 show SMI# deassertion minimum width as 4 PCI Clocks. The correct minimum deassertion time is 1 PCI Clock, as would be observed on back to back SMI's. The PIIX4 Datasheet correctly identifies the minimum deassertion time as 1 PCI Clock.

10. Datasheet t37 Correction

The PIIX4 Datasheet, Figure 23 and Table 43, show t37 (SUS_STAT[1:2]# Active to CPU_STP# and PCI_STP# Active) as 1 RTC Clock Max. The actual timing is 1 RTC Clock Minimum.

11. Corrections to Simplified Block Diagram, Table 55, and Figure 34

The PIIX4 Datasheet, Simplified Block Diagram, on page 3, the PIIX4 Pinout on page 270, and Table 55, starting on page 271, have several typographical errors. These are identified below.

Simplified Block Diagram Corrections

- PHLKA# should be labeled as PHLDA#
- IRQ9OUT#/GPO29 should be labeled as IRQ9OUT/GPO29
- PDIOIR# should be labeled as PDIOR#
- LID//GPI10 should be labeled as LID/GPI10
- IRQ0//GPO14 should be labeled as IRQ0/GPO14
- IRQ[15,14,11:9,7:3,1] should be labeled as input only, not input/output

Table 55 Corrections

- Pin F3 should be listed as IRQ9OUT/GPO29
- Pin U1 should be listed as IRQ9

Figure 34 PIIX4 Pinout Corrections

- Pin F3 should be listed as IRQ9OUT
- Pin U1 should be listed as IRQ9
- Pin G3 should be listed as GPI21
- Pin M18 should be listed as PWROK

12. INIT Assertion Correction

The PIIX4 Datasheet, section 2.1.6, on page 26, describes INIT as remaining asserted for approximately 64 PCI clocks before being negated. This is actually 16 PCI clocks, which is consistent with other discussion on this signal.

Corrections to Simplified Block Diagram, Table 55, and Figure 34

The PIIX4 Datasheet, Simplified Block Diagram, on page 3, the PIIX4 Pinout on page 270, and Table 55, starting on page 271, have several typographical errors. These are identified below.

Simplified Block Diagram Corrections

- PHLKA# should be labeled as PHLDA#
- IRQ9OUT#/GPO29 should be labeled as IRQ9OUT/GPO29
- PDIOIR# should be labeled as PDIOR#
- LID//GPI10 should be labeled as LID/GPI10
- IRQ0//GPO14 should be labeled as IRQ0/GPO14

Table 55 Corrections

- Pin F3 should be listed as IRQ9OUT/GPO29
- Pin U1 should be listed as IRQ9

Figure 34 PIIX4 Pinout Corrections

- Pin F3 should be listed as IRQ9OUT
- Pin U1 should be listed as IRQ9
- Pin G3 should be listed as GPI21
- Pin M18 should be listed as PWROK

Intel around the world

United States and Canada

Intel Corporation
Robert Noyce Building
2200 Mission College Boulevard
P.O. Box 58119
Santa Clara, CA 95052-8119
USA
Phone: (800) 628-8686

Europe

Intel Corporation (U.K.) Ltd.
Pipers Way
Swindon
Wiltshire SN3 1RJ
UK

Phone:

England	(44) 1793 403 000
Germany	(49) 89 99143 0
France	(33) 1 4571 7171
Italy	(39) 2 575 441
Israel	(972) 2 589 7111
Netherlands	(31) 10 286 6111
Sweden	(46) 8 705 5600

Asia Pacific

Intel Semiconductor Ltd.
32/F Two Pacific Place
88 Queensway, Central
Hong Kong, SAR
Phone: (852) 2844 4555

Japan

Intel Kabushiki Kaisha
P.O. Box 115 Tsukuba-gakuen
5-6 Tokodai, Tsukuba-shi
Ibaraki-ken 305
Japan
Phone: (81) 298 47 8522

South America

Intel Semicondutores do Brazil
Rua Florida 1703-2 and CJ22
CEP 04565-001 Sao Paulo-SP
Brazil
Phone: (55) 11 5505 2296

For More Information

To learn more about Intel Corporation, visit our site
on the World Wide Web at www.intel.com

