

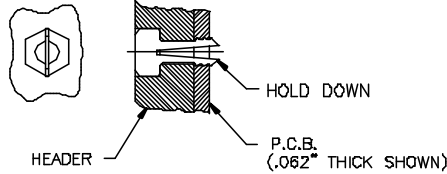
Tous droits strictement réservés. Reproduction ou communication à des tiers sans autorisation écrite de FCI, ainsi que la reproduction de ce document, sont formellement interdites.

All rights strictly reserved. Reproduction or issue to third parties in any form without written authority from the proprietor. Property of FCI. Copyright FCI.

PRODUCT NO. 72294-XXX	STAND-OFF DIM X	SOLDER TAIL DIM P	HEADER 92821-XXX (A)	GUIDE ASSEMBLY 92791-XXX (B)	GUIDE ASSEMBLY 92791-XXX (C)	MOUNTING STYLE TO P.C.B.
-000	0mm	2.8mm	000	001	001	
-020	2mm	2.5mm	040	021	001	
-500	0mm	2.8mm	500	001	001	
-520	2mm	2.5mm	540	021	001	

NOTE:

ADD "H" TO PART NUMBER FOR OPTIONAL HOLD DOWN (2 PER ASSEMBLY IN EJECT MECHANISM).



mat'l. code				tolerances unless otherwise specified				CUSTOMER COPY		Electronics www.fciconnect.com	
ltr	ecn no	dr	date	X±.3				projection		title	
A	V81923	RHC	7/18/95	.XX±.13						DOUBLE DECK HEADER /GUIDE RAILS ASSEMBLY FOR TYPE 123	
B	V12231	TFG	9/18/01	.XXX±.051						product family MCS	
				angles 0° ±2°						size dwg no	
				dr	R.GRAPE	7/18/95			code		
				engr	D.BRANN	7/18/95			-		
				chr	D.BRANN	7/18/95			sheet		
				appd	D.BRANN	7/18/95			1 of 3		
sheet index		revision sheet		B	B	B			cage code		
				1	2	3			22526		

ACAD

PDM: Rev:B

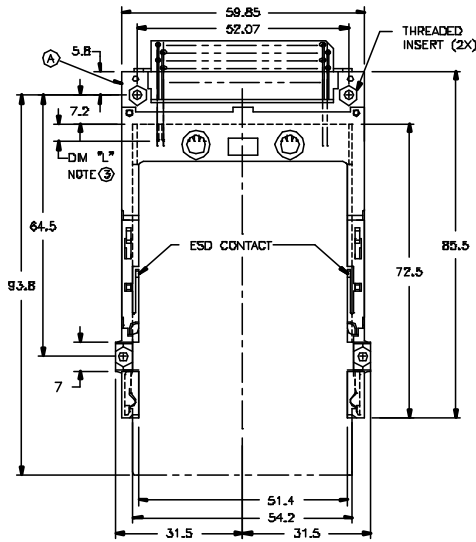
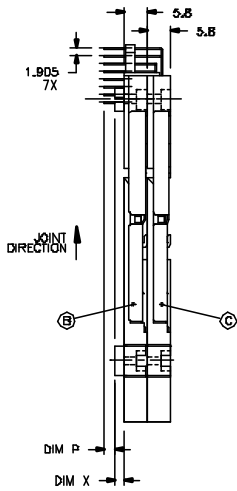
STATUS: Released

Printed: Oct 12, 2010

PRODUCT NO.
72294-XXX

Tous droits strictement réservés. Reproduction ou communication à des tiers sans autorisation écrite de FCI. Droits de reproduction FCI.

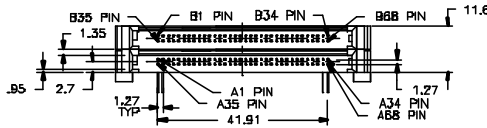
All rights strictly reserved. Reproduction or issue to third parties in any form without written authorization from the proprietor. Property of FCI. Copyright FCI.



NOTES:

- HEADER ASSY**
 PLASTIC: HOUSING - LCP UL94V-0 BLACK - ABOVE PCB
 - LCP UL94V-0 NATURAL (WHITE) BELOW PCB
 PIN: PHOSPHOR BRONZE
GUIDE MECHANISM ASSY
 PLASTIC: GUIDE - POLYPHTHAMID UL94V-0 BLACK
 COVER PLATE: STAINLESS STEEL
 EMI CONTACT: PHOSPHOR BRONZE
- FINISH - PIN**
 UNDER PLATING: 0.5 μm MIN. NI
 CONTACT AREA: 0.1 μm MIN GOLD OVER
 0.5 μm MIN Pd-NI
 SOLDER TAIL: 2.5 μm MIN Sn-Pb
- DIM 1"

4.25±.1	3.5±.1	5.0±.1
OTHERS	36.87	1.17, 24.35, 51.68
- RECOMMENDED HOLD DOWN - 2mm SCREWS
 (95121-DD1) FOR 72294-000 & -500;
 (95121-DD3) FOR 72294-020 & -520;
 AND NUTS (92889-001).
 RECOMMENDED SCREW TORQUE: 1.0 TO 1.5 MAX in-lbs. (1.2-1.7 cm-kg).



P/N: 72294-020 (SHOWN)
ABOVE P.C.B.
2mm STAND-OFF

mat'l. code				tolerances unless otherwise specified				CUSTOMER COPY		 www.fciconnect.com	
ltr	ecn no	dr	date	linear	.X±.3	projection			title		
B					.XX±.13	MM			DOUBLE DECK HEADER/GUIDE RAILS ASSEMBLY FOR TYPE 123		
				angles	.XXX±.051	scale	1:1		product family MCS		
				dr	0° ± 2°				size		
				enqr					dwg no		
				chr					72294		
				appd					sheet 2 of		
sheet index	revision sheet								cage code		
									22526		

ACAD

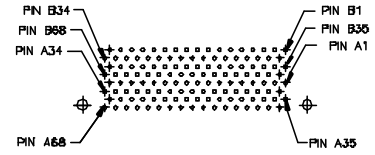
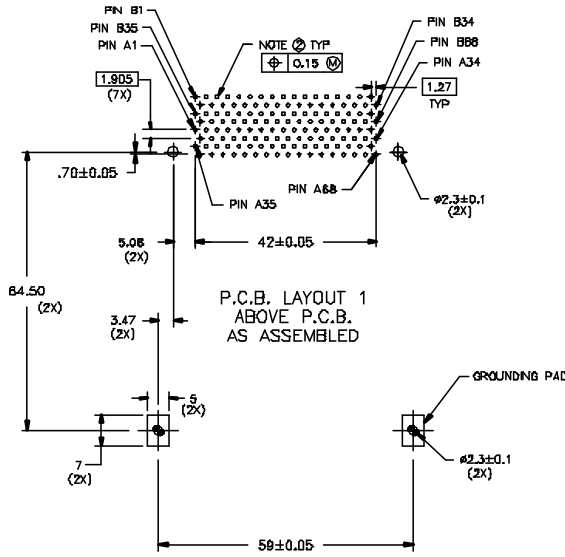
Tous droits strictement réservés. Reproduction ou communication à des tiers sans autorisation écrite de l'éditeur. Propriété de FCI. droits de reproduction FCI.

All rights strictly reserved. Reproduction or issue to third parties in any form without written authorization from the proprietor. Property of FCI. Copyright FCI.

1 | 2

3 |

4



NOTES:

1. ALL TOLERANCES ± 0.15 UNLESS NOTED.
2. RECOMMENDED DIAMETER IS $\phi 1.0$ FOR PROCESSES USING PASTE REFLOW, HOLE MAY BE AS SMALL AS $\phi 0.75$

mat'l. code				tolerances unless otherwise specified				CUSTOMER COPY		 www.fciconnect.com	
itr	ecn no	dr	date	linear	.X \pm .3	projection			title		
B					.XX \pm .13	MM			DOUBLE DECK HEADER / GUIDE		
				angles	.XXX \pm .051	1:1	A4		RAILS ASSEMBLY FOR TYPE 123		
				dr	0° \pm 2°		product family		code		
				engr	R.GRAPE 7/16/95		MCS		-		
				chr	D.BRANN 7/16/95		size		-		
				appd	D.BRANN 7/16/95		dwg no		sheet		
sheet index	revision sheet						72294		3 of		
							cage code		4		
							22526				

ACAD

PDM: Rev:B

STATUS: Released

Printed: Oct 12, 2010

1 | 2

3 |

4