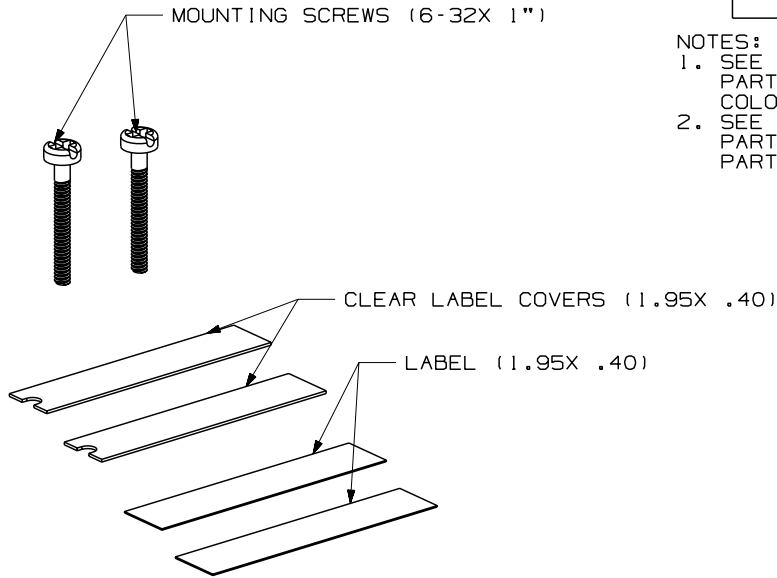


THIS COPY IS PROVIDED ON A RESTRICTED BASIS AND IS NOT TO BE USED IN ANY WAY DETRIMENTAL TO THE INTERESTS OF PANDUIT CORP.


PANDUIT P/N	WEIGHT
EFPK-XY	.20 LB/10 PCS (90.7 g/10 PCS)



- NOTES:
- SEE CURRENT CATALOG FOR ADDITIONAL PART NUMBER SUFFIXES TO INDICATE COLOR AND OR PACKAGE QUANTITY.
 - SEE CATALOG FOR COMPLETE LIST OF PARTS APPLICABLE FOR USE WITH THIS PART.

DRAWING FILENAME	MO24791V_DC232_00A.PRT	SIZE	A
------------------	------------------------	------	---

FACEPLATE LABEL KIT
CUSTOMER DRAWING

 PANDUIT TM CORP. TINLEY PARK, ILL 60477	I.I. NUMBER	N/A
	PRODUCT SPEC	N/A
	WORK INSTRUCTION	N/A
	SCALE	NONE
ALL DIMENSIONS ARE GIVEN IN INCHES. UNLESS OTHERWISE SPECIFIED. DIMENSIONAL TOLERANCES ARE: (.X) ± (.XXX) ± .010(.3) (.XX) ± .031(.8) ANGLES ±	PART NO.	EFPK-XY
DRAWN BY: JsP DATE: 4-19-06 THIRD ANGLE PROJECTION	DRAWING NO.	02479-232

R	4-19-06	JsP		RELEASED TO PRODUCTION	02479-232								
REV	DATE	BY	CHK	DESCRIPTION	ECN	R	CUST	SUP	OTH	CHK'D			