

THIS DRAWING COVERS A PROPRIETARY ITEM AND IS THE PROPERTY OF MICRO SWITCH, A DIVISION OF HONEYWELL. THIS DRAWING IS NOT TO BE COPIED OR USED WITHOUT THE APPROVAL OF MICRO SWITCH.

2PA17

**M**

DRAWING  
NUMBER

REPLACES

RELEASE NO. PR-19629

ISSUE

1

CHECK

REVISIONS

CHECK

CHECK

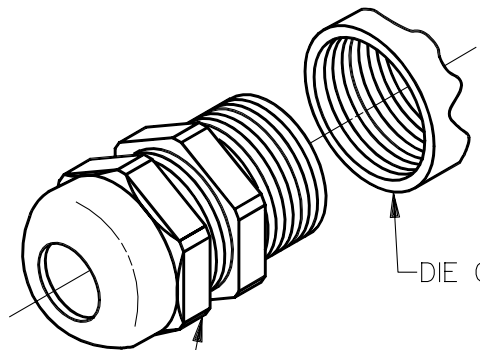
91

OCT 29

DDM/CAD

DRAWN

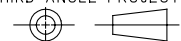
T S M 91



CONDUIT FITTING

DIE CAST HOUSING

THIRD ANGLE PROJECTION



SCALE NONE

DO NOT SCALE PRINT

**UNLESS OTHERWISE SPECIFIED  
TOLERANCES ARE**

ONE PLACE	(.0)	±.030
TWO PLACE	(.00)	±.015
THREE PLACE	(.000)	±.005
ANGLES		±

WEIGHT

ANSI Y14.5M-1982 APPLIES