

MICRO SWITCH

FREERPORT ILLINOIS, U.S.A
A DIVISION OF HONEYWELL

FED. MFG. CODE 91929

SWITCH - BASIC

CATALOG LISTING

BZ-2RW855-S

M BZ-2RW855-S

PAGE 1 OF 1

REPLACES

RELEASE NO. PR-6725

DRAWING NUMBER

7

ISSUE

CHECK

REVISIONS

A	CO 39621	T M M 16 DEC 77
B	CO 58037	SMA 1 OCT 85
C	CO67209	JAP 3 MAY 90
D	CO- 77591	DAW 22 JUN 94
E	CO93346	DLT 14 SEP 98
F	CO- 94212-K	DLT 4 NOV 99

CHECK

17 OCT 77

CHECK

77

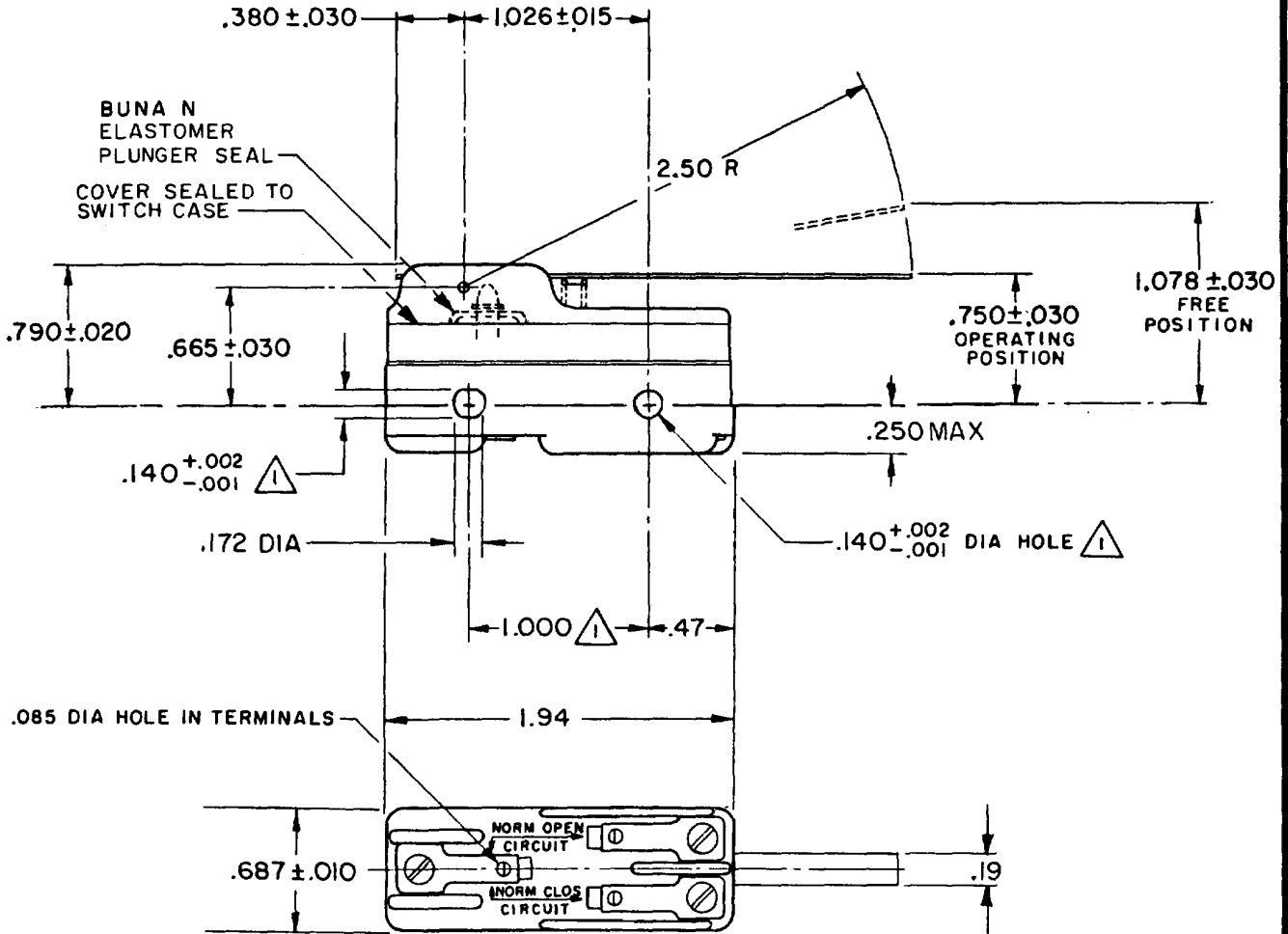
CHECK

OCT 77

CHECK

OCT 77

CHECK

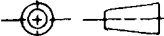


NOTES

- ⚠ MOUNTING HOLES WILL ACCEPT PINS OR SCREWS OF .139 MAX DIA ON 1.000 ± .002 CENTERS
- 2 - SEALED CONSTRUCTION PROVIDES SPLASH RESISTANCE

THIS DRAWING COVERS A PROPRIETARY ITEM AND IS THE PROPERTY OF MICRO SWITCH, A DIVISION OF HONEYWELL. THIS DRAWING IS NOT TO BE COPIED OR USED WITHOUT THE APPROVAL OF MICRO SWITCH.

THIRD ANGLE PROJECTION



CHARACTERISTICS	
OPERATING FORCE	— 2 1/2 OZ MAX
RELEASE FORCE	— 1/2 OZ MIN
DIFFERENTIAL TRAVEL	— .007— .050
OVERTRAVEL	— .219 MIN

ELECTRICAL DATA	
CONTACT ARRANGEMENT S P D T	
L96	15A 125, 250 OR 480 VAC 1/8 HP 125 VAC, 1/4 HP 250 VAC 1/2A 125 VDC, 1/4A 250 VDC
L288	
L299	
L306	
16A 250V ~ T85 5E4	

SCALE FULL			
DO NOT SCALE PRINT			
TOLERANCES			
APPLY TO DESIGN UNITS. CONVERSIONS ARE ONLY FOR REFERENCE. UNLESS NOTED, TOLERANCES ARE ±			
DIM.	TOL.	DIM.	TOL.
mm	mm/in	in	mm/in
NO PLACES	X	1/04	
ONE PLACE	X, X	0.4/018	X X 0.81/03
TWO PLACES	X, XX	0.15/006	X XX 0.38/015
THREE PLACES	X, XXX		X XXX 0.13/005
ANGLES			
SI METRIC		US CUSTOMARY	
DESIGN UNITS	<input type="checkbox"/>	<input checked="" type="checkbox"/>	
WEIGHT	.063 LB		

FORMTEK

FO-52848-A

DRAWN

T M M

OCT 77