



MICRO SWITCH

FREEPORT, ILLINOIS, U.S.A.
A DIVISION OF HONEYWELL

FED. MFG. CODE 91929

SWITCH-BASIC

CATALOG LISTING
BZ-2RW84375T

APY0215

X 39435-BZ

M BZ-2RW84375T

PAGE 1 OF 1

DRAWING NUMBER

ISSUE

6

REPLACES

RELEASE NO. PR-760

CHECK

CHECK

REVISIONS

A	PR-760	DLF	16 JUN 69
B	693751-D	JWB	18 JUL 91
C	77589	TSM	29 MAR 94
D	C093346	DLT	17 SEP 98
E	0017579	KRB	08 DEC 05

08DEC05

RJ

CHECK

31 JAN 68

LSD

CHECK

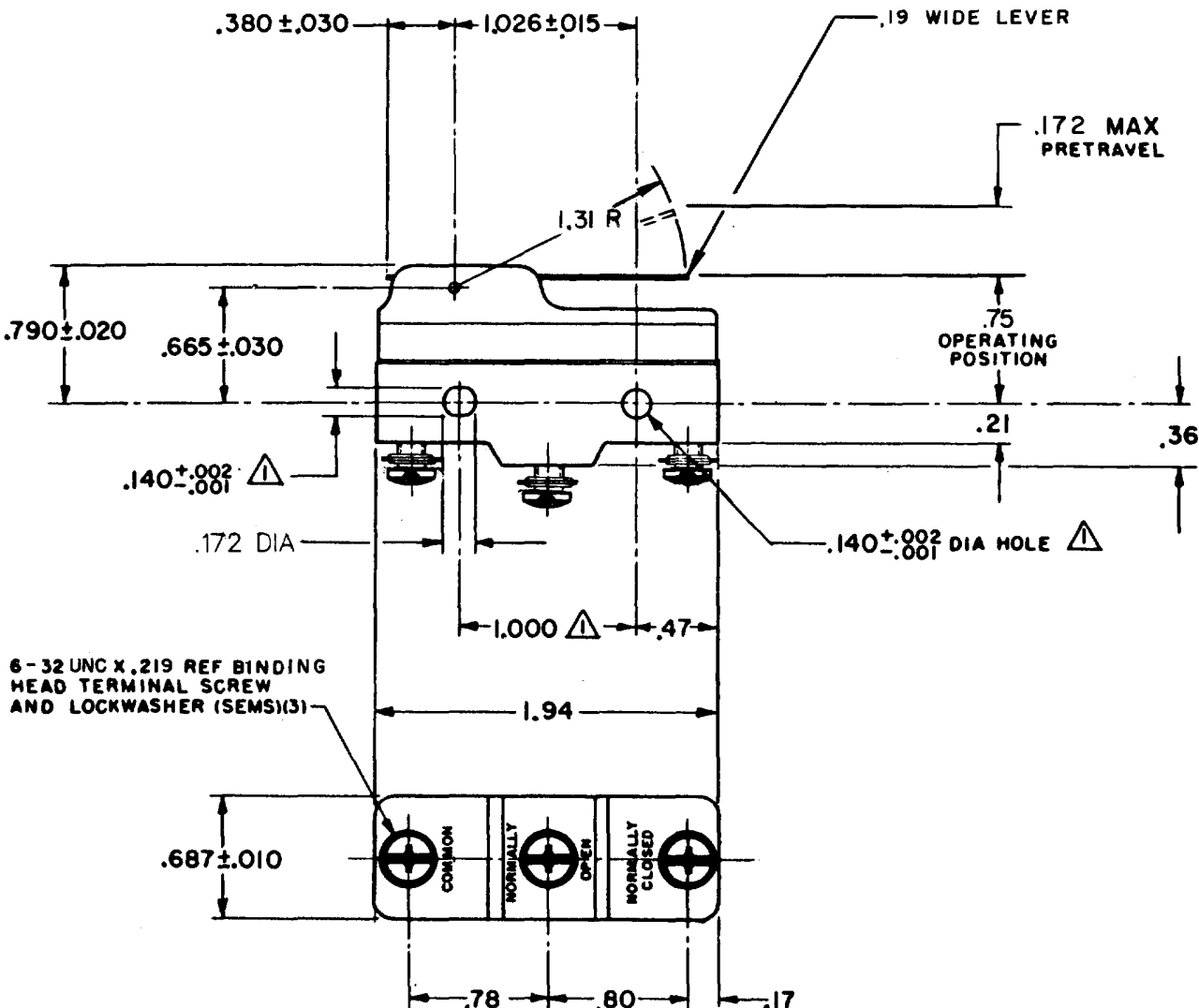
29 JAN 68

FORMTEK

FO-50376

DRAWN

M B F



NOTE
 MOUNTING HOLES WILL ACCEPT PINS OR SCREWS
 OF .139 MAX DIA ON 1.000 ±.002 CENTERS

THIS DRAWING COVERS A PROPRIETARY ITEM AND IS THE PROPERTY OF MICRO SWITCH, A DIVISION OF MINNEAPOLIS-HONEYWELL REGULATOR CO. THIS DRAWING IS NOT TO BE COPIED OR USED WITHOUT THE APPROVAL OF MICRO SWITCH.

CHARACTERISTICS

OPERATING FORCE ----- 2 OZ MAX
 RELEASE FORCE ----- 1/4 OZ MIN
 DIFFERENTIAL TRAVEL --- .004 - .026
 OVERTRAVEL ----- .141 MIN

ELECTRICAL DATA

CONTACT ARRANGEMENT
 S P D T

-L96- 15 A - 125, 250, OR 480 VAC
 1/2 A - 125 VDC; 1/4 A - 250 VDC
 1/8 HP - 125 VAC, 1/4 HP - 250 VAC

-L288- CE 05
 -L315-
 -L306-

16A 250V ~ T85 5E4

SCALE FULL

DO NOT SCALE PRINT

UNLESS OTHERWISE NOTED
 DIMENSIONS ARE IN INCHES

TOLERANCES ARE:

ONE PLACE (.0)	±.030
TWO PLACE (.00)	±.015
THREE PLACE (.000)	±.008
ANGLES	±

WEIGHT .073 LB