

MICRO SWITCH

FREEPORT ILLINOIS, U.S.A.
A DIVISION OF HONEYWELL
FED. MFG. CODE 91929

SWITCH - BASIC

CATALOG LISTING
WA-1R249-A42

ACH0700

M WA-1R249-A42
PAGE 1 OF 1

REPLACES

RELEASE NO. PR-5864

M

DRAWING NUMBER

6

ISSUE

12SEP07

PSR

CHECK

17 FEB 06

RJ

CHECK

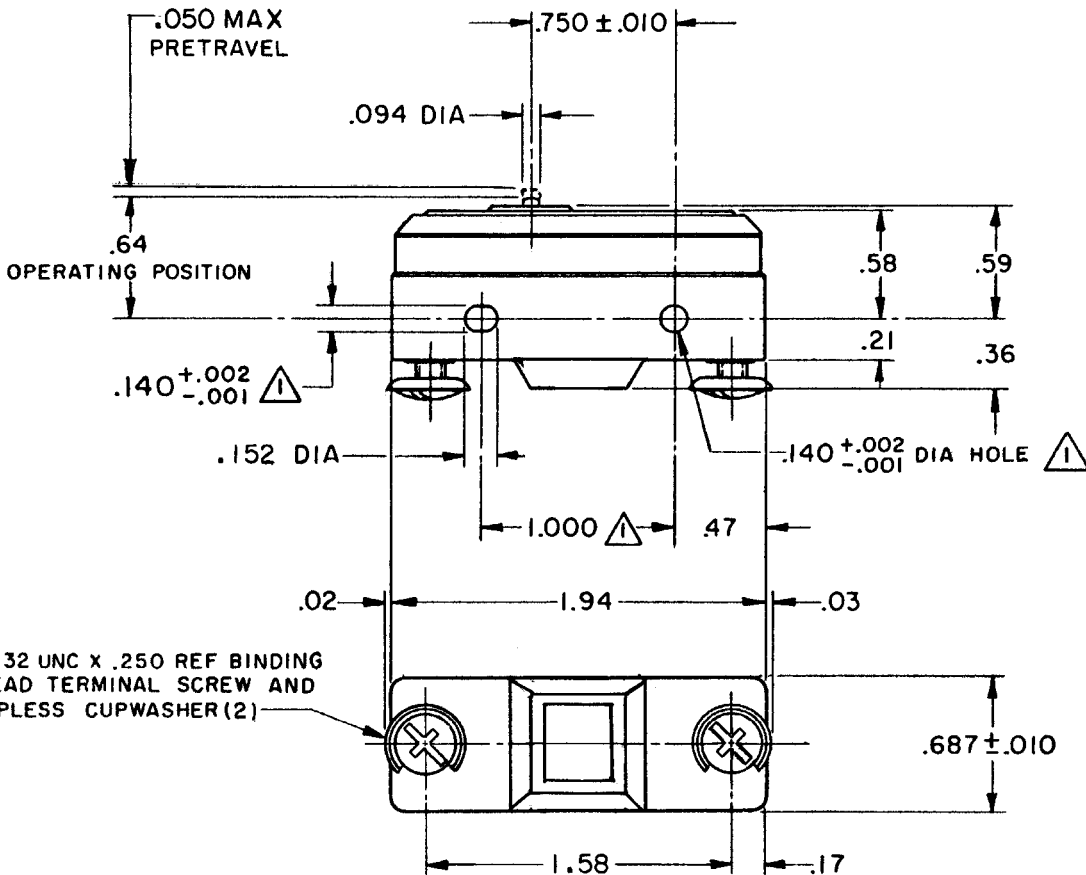
9 JUNE 76

CHECK

R E R 7 JUN 76

REVISIONS

A	CO-79125	SAO	2 DEC 94
B	C093346	DLT	28 AUG 98
C	CO-92644-A	DLT	12 NOV 98
D	0018388	TGP	17 FEB 06
E	0033746	JA	12SEP07



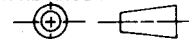
8-32 UNC X .250 REF BINDING HEAD TERMINAL SCREW AND LIPLESS CUPWASHER (2)

NOTES

- ▲ MOUNTING HOLES WILL ACCEPT PINS OR SCREWS OF .139 MAX DIA ON 1.000 CENTERS
- 2 - SWITCH WILL WITHSTAND TEMPERATURE OF 250°F

THIS DRAWING COVERS A PROPRIETARY ITEM AND IS THE PROPERTY OF MICRO SWITCH, A DIVISION OF HONEYWELL. THIS DRAWING IS NOT TO BE COPIED OR USED WITHOUT THE APPROVAL OF MICRO SWITCH.

THIRD ANGLE PROJECTION



CHARACTERISTICS

OPERATING FORCE ----- 13-19 OZ
DIFFERENTIAL FORCE --- 1 1/2 - 6 OZ
RELEASE FORCE ----- 10 OZ MIN
DIFFERENTIAL TRAVEL --- .004-.006
OVERTRAVEL ----- .010 MIN

ELECTRICAL DATA

CONTACT ARRANGEMENT
S P N C

CODE L33 20A-125, 250 OR 480 VAC
1HP-125 VAC; 2HP-250 VAC
0.3A-125 VDC; 0.15A-250 VDC (T)

L288
L308
L310
L315



20(3)A 250V ~ T85 5E4

SCALE FULL

DO NOT SCALE PRINT

TOLERANCES

APPLY TO DESIGN UNITS. CONVERSIONS ARE ONLY FOR REFERENCE. UNLESS NOTED, TOLERANCES ARE ±

DIM.	TOL.	DIM.	TOL.
mm	mm/in	in	mm/in
NO PLACES	X	1/.04	
ONE PLACE	X,X	0.4/.016	X,X 0.8/.015
TWO PLACES	X,XX	0.15/.006	X,XX 0.38/.015
THREE PLACES	X,XXX		X,XXX 0.13/.005

DESIGN UNITS SI METRIC US CUSTOMARY

WEIGHT .063 LB

RASTER

FO-52848-A

DRAWN