

**MICRO SWITCH**  
a Honeywell Division

FED. MFG. CODE 91 929

**SWITCH - BASIC**

CATALOG LISTING  
**WA-1RVX051-A4**

X90358-WA

CATALOG LISTING  
**WA-1RVX051-A4**

PAGE 1 OF 1

REPLACES  
RELEASE NO. PR-20267

**M**

ISSUE  
**4**

CHECK

REVISIONS

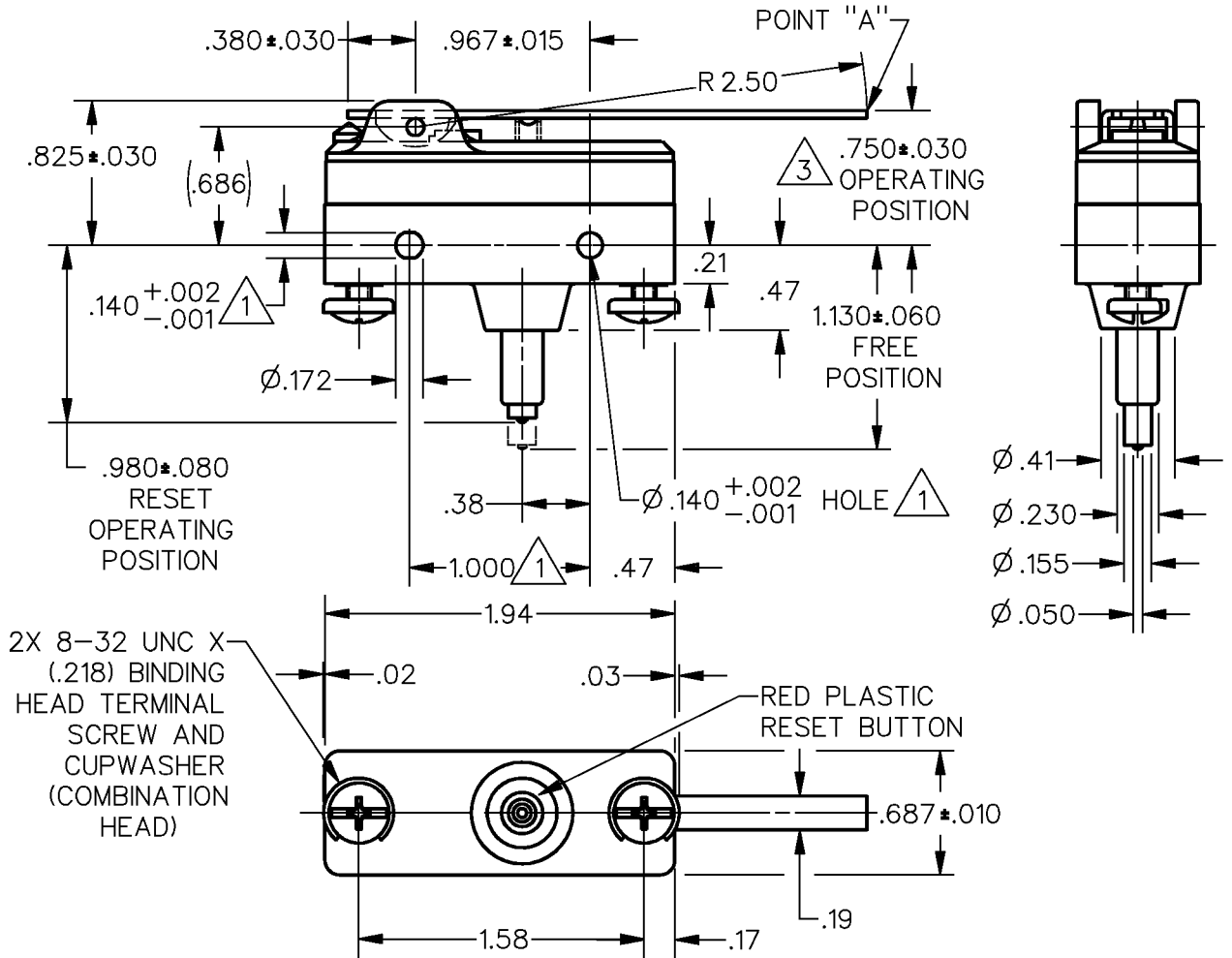
A	C073497	D H D	13 NOV 92
B	CO-79609-A	S A V	9 MAR 95
C	C092339	J A K	23 FEB 98

CHECK

CHECK

CHECK  
G R T 1 OCT 92

DDM/CAD  
DRAWN



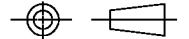
NOTES

- ① MOUNTING HOLES WILL ACCEPT PINS OR SCREWS OF  $\phi .139$  MAX ON 1.000 CENTERS
- 2 - SWITCH WILL NOT RECYCLE OR ACT AS A MOMENTARY ACTION SWITCH IF LEVER IS RELEASED WHEN RESET PLUNGER IS CONTINUALLY DEPRESSED
- ③ FORCES MEASURED WITH LEVER IN VERTICAL POSITION AND WITH CONTACT END DOWN
- 4 - PLASTIC MATERIAL USED:  
CASE-----PLENCO 06343 NORMALIZED 6 HRS AT 300°-325°F  
COVER----PLENCO 06343 NORMALIZED 6 HRS AT 300°-325°F  
PLUNGER---PLENCO 04300 NORMALIZED 6 HRS AT 300°-325°F

ANSI Y14.5M-1982 APPLIES

THIS DRAWING COVERS A PROPRIETARY ITEM AND IS THE PROPERTY OF MICRO SWITCH, A DIVISION OF HONEYWELL. THIS DRAWING IS NOT TO BE COPIED OR USED WITHOUT THE APPROVAL OF MICRO SWITCH.

THIRD ANGLE PROJECTION



CHARACTERISTICS AT POINT "A"	ELECTRICAL DATA	SCALE	FULL	DO NOT SCALE PRINT
OPERATING FORCE - - - 2 OZ MAX/③	CONTACT ARRANGEMENT S P N C - MAINTAINED CONTACT	<b>UNLESS OTHERWISE SPECIFIED TOLERANCES ARE</b>		
OVERTRAVEL - - - - - .075 MIN		ONE PLACE ( .0 )	± .030	
RESET CHARACTERISTICS		TWO PLACE ( .00 )	± .015	
OPERATING FORCE - - - - 32 OZ MAX		THREE PLACE ( .000 )	± .005	
OVERTRAVEL - - - - - .040 MIN		ANGLES	±	
		WEIGHT		